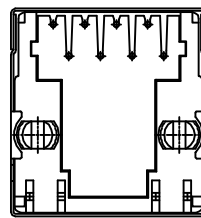
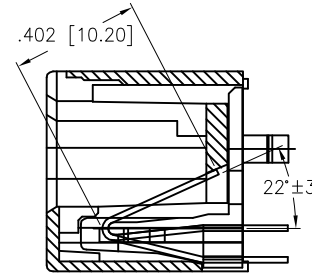
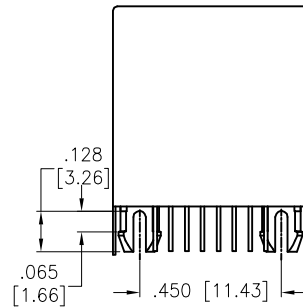
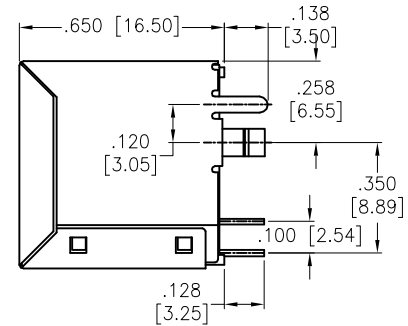
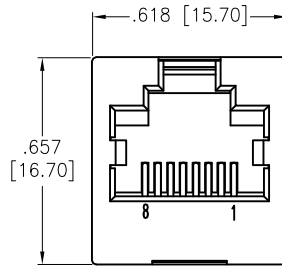
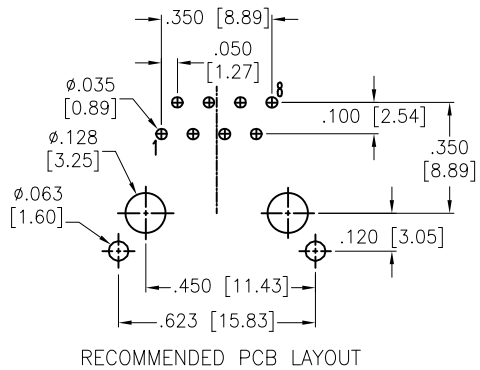


APPROVED: _____
 DATE: _____ TITLE: _____

Rev	AWO #	Description	Date	Appr
-		RELEASED	1/25/22	



SPECIFICATIONS:

Material:
 Insulator: Hi-Temp Thermoplastic, rated UL 94V-0
 Contacts: Phosphor Bronze
 Shield: Copper Alloy, Nickel plated
 Plating:
 Round contact
 Gold over Nickel underplate overall
 Flat contact
 Gold over Nickel underplate on contact area,
 Tin over Nickel underplate on solder tails

Electrical:
 Voltage rating: 125 VAC rms
 Current rating: 1.5 Amps
 Contact resistance: 30 mohms max
 Insulation resistance: 500 Mohms min @ 500 VDC
 Dielectric withstanding voltage: 1000V AC RMS 50Hz or 60 Hz 1min
 Temperature Rating:
 Operating temperature: -40°C to +85°C
 Environmental:
 Lead free, RoHS compliant.



UNLESS OTHERWISE SPECIFIED ALL DIMENSIONS ARE INCHES [MM]. TOLERANCES: EXCEPT AS NOTED		
INCHES	HOLES	
.X ± .10	ØX ± .10	
.XX ± .020	ØXX ± .015	
.XXX ± .015	ØXXX ± .010	
DRAWN	WX	1/25/22
CHECKED	SC	1/25/22
APPROVED		
THIS DRAWING CONTAINS INFORMATION THAT IS PROPRIETARY AND SHOULD NOT BE USED WITHOUT PRIOR WRITTEN PERMISSION FROM ADAM TECH		



TITLE		MODULAR TELEPHONE JACK, 8P8C VERTICAL	
SIZE	PART NO.	REV.	
X	MTJ-88AX1-FSE-HT	-	
REF:	S001677-1	SCALE:	NTS SHEET 1 OF 1