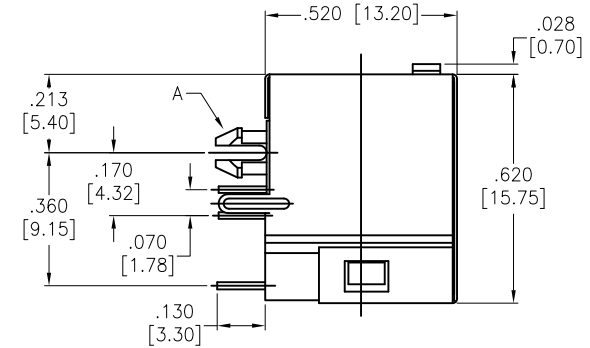
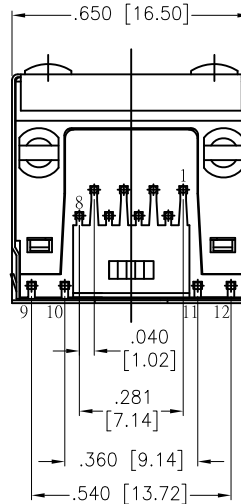
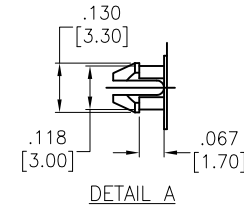
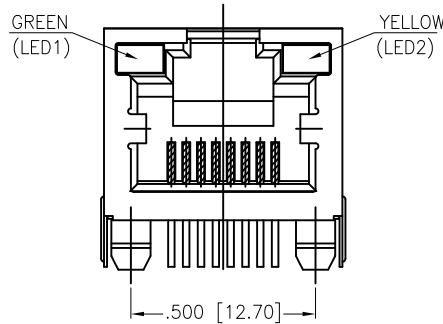
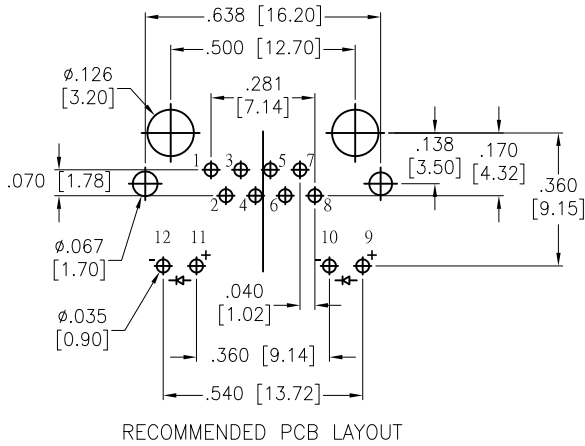


APPROVED: \_\_\_\_\_  
 DATE: \_\_\_\_\_ TITLE: \_\_\_\_\_

Rev	AWO #	Description	Date	Appr
-		RELEASED	9/27/18	



**SPECIFICATIONS:**

Material:  
 Insulator: Hi-temp thermoplastic, rated UL 94V-0  
 Insulator color: Gray  
 Contacts: Phosphor Bronze  
 Contacts Plating:  
 Round contact  
 Gold over Nickel underplate overall  
 Flat contact  
 Gold over Nickel underplate on contact area,  
 Tin over Nickel underplate on solder tails  
 Electrical:  
 Voltage rating: 150 VAC max  
 Current rating: 1.5 Amp max  
 Contact Resistance: 30 mohms max  
 Insulation resistance: 500 Mohms min  
 Dielectric withstanding voltage: 1,000 VAC  
 Temperature Rating:  
 Operating temperature: -40°C to +70°C  
 Environmental:  
 Lead free, RoHS compliant.



UNLESS OTHERWISE SPECIFIED ALL DIMENSIONS ARE INCHES [MM] TOLERANCES: EXCEPT AS NOTED		
INCHES HOLES		
.X ± .10	Ø.X ± .10	
.XX ± .020	Ø.XX ± .015	
.XXX ± .015	Ø.XXX ± .010	
APPROVALS		DATE
DRAWN	HR	9/27/18
CHECKED	RC2	9/27/18
APPROVED		



TITLE: MODULAR TELEPHONE JACK, 8P8C,  
 W/ LED1 GREEN LED2 YELLOW, GRAY

SIZE X	PART NO. MTJ-88ARX2-LH-HT-D	REV. -
REF: S00297T	SCALE: NTS	SHEET 1 OF 1