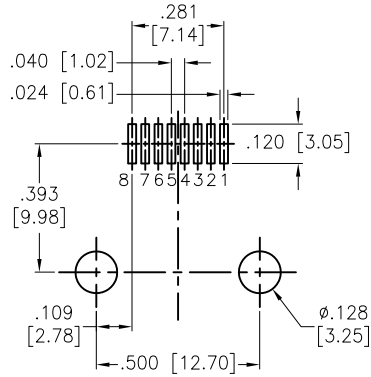
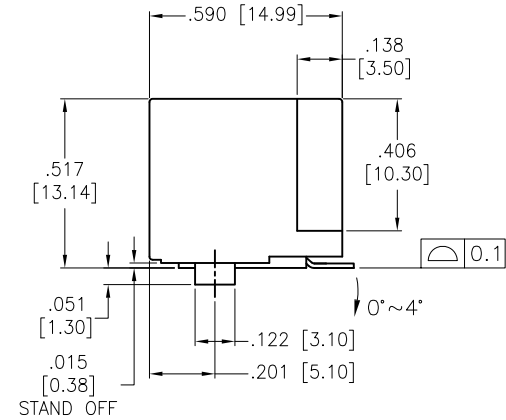
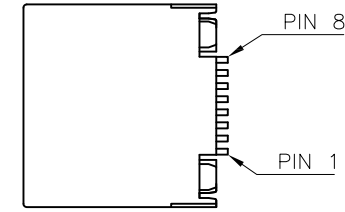
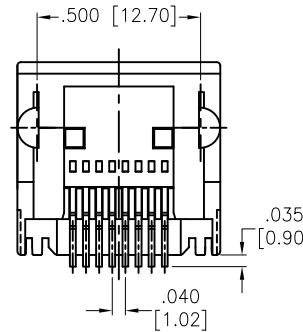
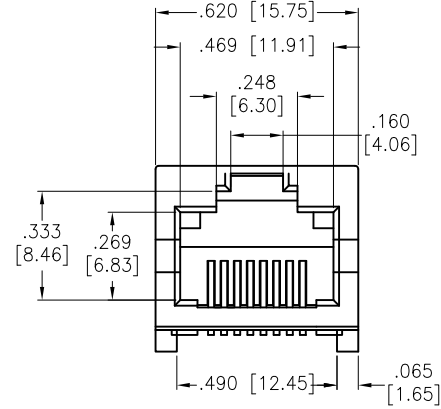


APPROVED: \_\_\_\_\_  
 DATE: \_\_\_\_\_ TITLE: \_\_\_\_\_

Rev	AWO #	Description	Date	Appr
-		RELEASED	5/20/08	
A		UPDATED DRAWING	2/1/19	HR/RC



RECOMMENDED PCB LAYOUT



**SPECIFICATIONS:**

Material:  
 Insulator: Hi-Temp Thermoplastic, rated UL 94V-0  
 Insulator color: Black  
 Contacts: Phosphor Bronze  
 Contacts Plating:  
 Plating:  
 Gold over Nickel underplate on contact area  
 Gold flash over Nickel underplate on solder tails  
 Electrical:  
 Voltage rating: 150 VAC max.  
 Current rating: 1.5 A max.  
 Contact Resistance: 20 mohms max.  
 Insulation resistance: 500 Mohms min. @ 500 VDC  
 Dielectric withstanding voltage: 1,000 Vrms for 1 minute  
 Temperature Rating:  
 Operating temperature: -40°C to +85°C  
 Environmental:  
 Lead free, RoHS compliant.



UNLESS OTHERWISE SPECIFIED  
 ALL DIMENSIONS ARE INCHES [MM]  
 TOLERANCES: EXCEPT AS NOTED  
 INCHES HOLES  
 .X ± .10 Ø.X ± .10  
 .XX ± .020 Ø.XX ± .015  
 .XXX ± .015 Ø.XXX ± .010



APPROVALS		DATE
DRAWN	DY	5/20/08
CHECKED		
APPROVED		

TITLE MODULAR TELEPHONE JACK, 8P8C, RIGHT ANGLE, SURFACE MOUNT TYPE		
SIZE X	PART NO. MTJ-88ARX1-SMT	REV. A
REF: S00065T	SCALE: NTS	SHEET 1 OF 1