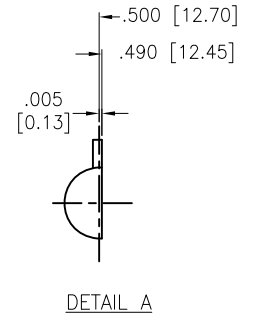
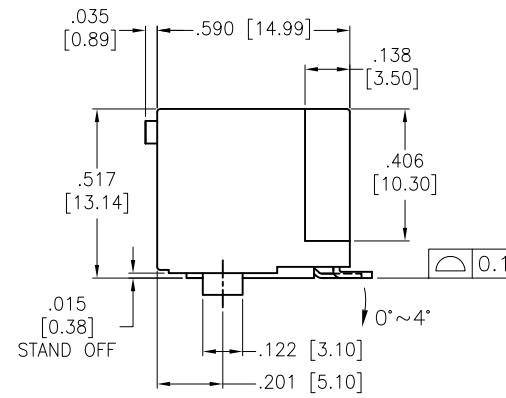
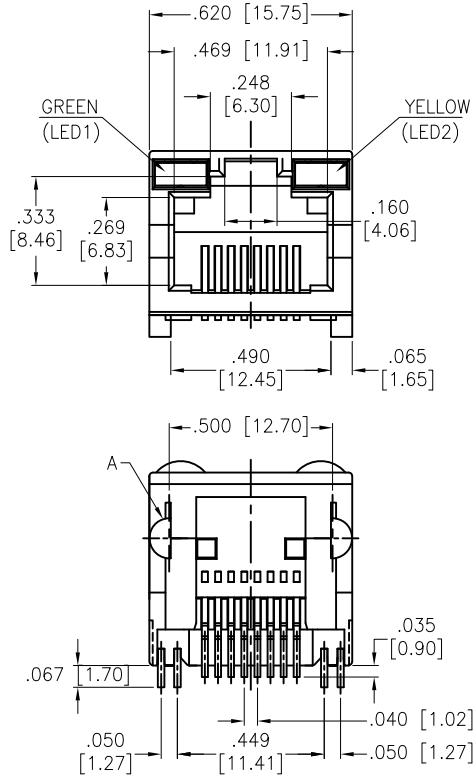
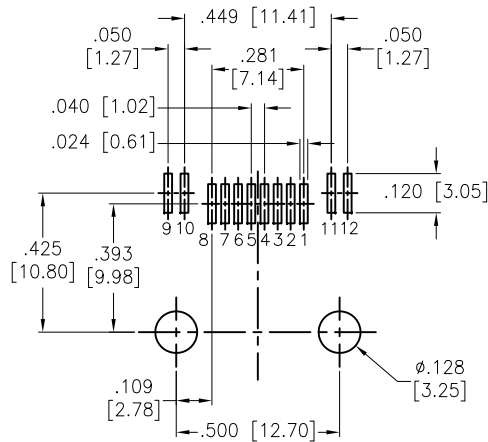
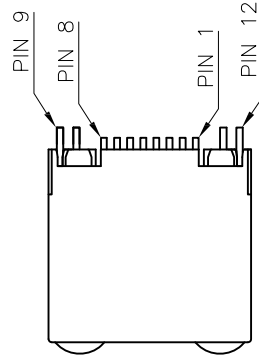
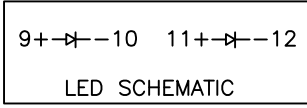


APPROVED: \_\_\_\_\_  
 DATE: \_\_\_\_\_ TITLE: \_\_\_\_\_

Rev	AWO #	Description	Date	Appr
-		RELEASED	10/19/15	
A		UPDATE DRAWING	8/27/18	HR/AC1



PACKAGED ON TAPE & REEL

**SPECIFICATIONS:**

Material:  
 Insulator: Hi-Temp Thermoplastic, rated UL 94V-0  
 Insulator color: Black  
 Contacts: Phosphor Bronze  
 Shield: Copper Alloy, Nickel plated  
 Contacts Plating:  
 Gold over Nickel underplate on contact area  
 Gold flash over Nickel underplate on solder tails  
 Electrical:  
 Voltage rating: 150 VAC max  
 Current rating: 1.5 A max  
 Contact Resistance: 20 mohms max  
 Insulation resistance: 500 Mohms min @ 500 VDC  
 Dielectric withstanding voltage: 1,000 Vrms for 1 minute  
 Temperature Rating:  
 Operating temperature: -40°C to +85°C  
 Environmental:  
 Lead free, RoHS compliant.



UNLESS OTHERWISE SPECIFIED  
 ALL DIMENSIONS ARE INCHES [MM]  
 TOLERANCES: EXCEPT AS NOTED

INCHES		HOLES	
.X	± .10	Ø.X	± .10
.XX	± .020	Ø.XX	± .015
.XXX	± .015	Ø.XXX	± .010

APPROVALS		DATE
DRAWN	AY	10/19/15
CHECKED	WY	10/19/15
APPROVED		



TITLE  
 MODULAR TELEPHONE JACK, 8P8C, R/A  
 SMT, W/ LED1 GREEN, LED2 YELLOW

SIZE	PART NO.	REV.
X	MTJ-88ARX1-SMT-LH-T/R	A

REF: S00065T SCALE: NTS SHEET 1 OF 2