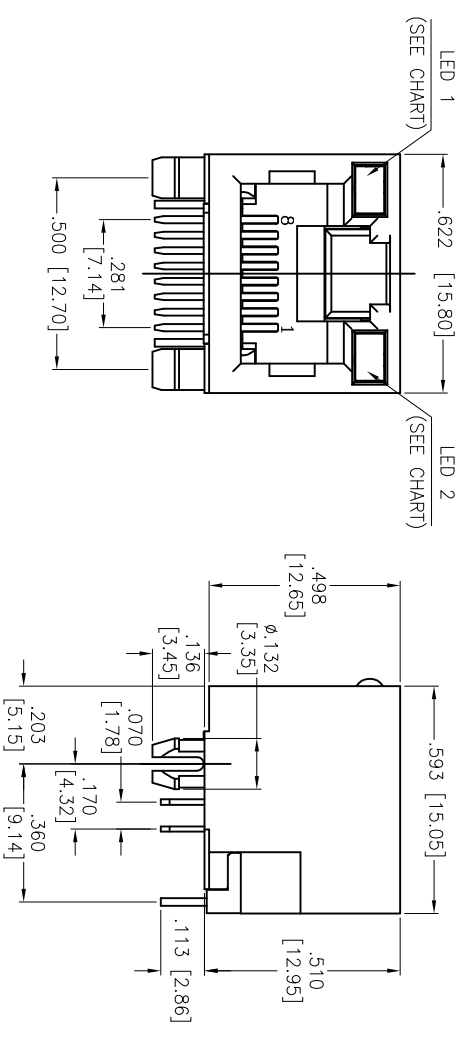


Rev	AWO #	Description	Date	Appr
C		UPDATED SPEC.	8/3/16	AV/NP

APPROVED: _____ TITLE: _____

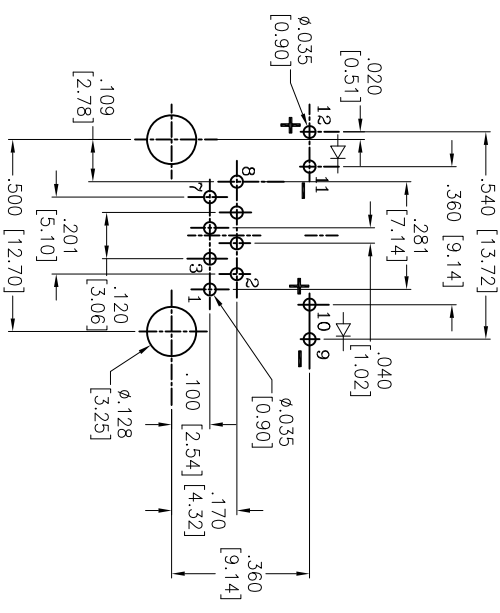
DATE: _____

D



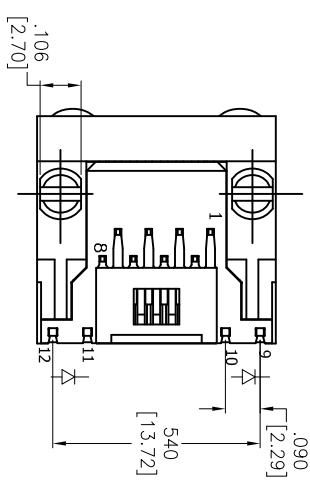
D

C



C

B



B

Part Number	LED 1 Color	LED 2 Color
MTJ-88ARX1-LD	Green	Green
MTJ-88ARX1-LG	Yellow	Green
MTJ-88ARX1-LH	Green	Yellow
MTJ-88ARX1-LP	Yellow/Green	Yellow/Green
MTJ-88ARX1-LV	Green	Yellow/Green
MTJ-88ARX1-L16	Green/Yellow	Green/Yellow

SPECIFICATIONS:

Material:
 Insulator: PBT, glass reinforced, rated UL 94V-0
 Insulator color: Black
 Contacts: Phosphor Bronze
 Contacts Plating:
 Round contact
 Gold over Nickel underplate overall
 Flat contact
 Gold over Nickel underplate on contact area,
 Tin over Nickel underplate on solder tails
 (See chart for thickness)

Electrical:
 Voltage rating: 150 VAC rms
 Current rating: 1.5 Amp
 Contact Resistance: 20 mohms max
 Insulation resistance: 1000 Mohms min @ 500 VDC
 Dielectric withstanding voltage:
 Contact to Contact: 1,000 VDC or AC Peak for 1 minute
 Contact to Screen and Test panel: 1,500 VDC or AC Peak for 1 minute
 Temperature Rating:
 Operating temperature: -40°C to +85°C
 Environmental:
 Lead free, RoHS compliant.

A



**MODULAR TELEPHONE JACK, 8P8C
 RIGHT ANGLE, WITH LEDS**

UNLESS OTHERWISE SPECIFIED ALL DIMENSIONS ARE INCHES [MM]	
TOLERANCES: EXCEPT AS NOTED	
INCHES	HILES
.X ± .10	± .10
.XX ± .020	± .015
.XXX ± .015	± .010
APPROVALS	DATE
DRAWN	SS
CHECKED	
APPROVED	

SIZE	PART NO.	REV.
X	MTJ-88ARX1-LX	C
REF:	S00006C	
SCALE:	NIS	
SHEET	1 OF 1	

A

