

6

5

4

3

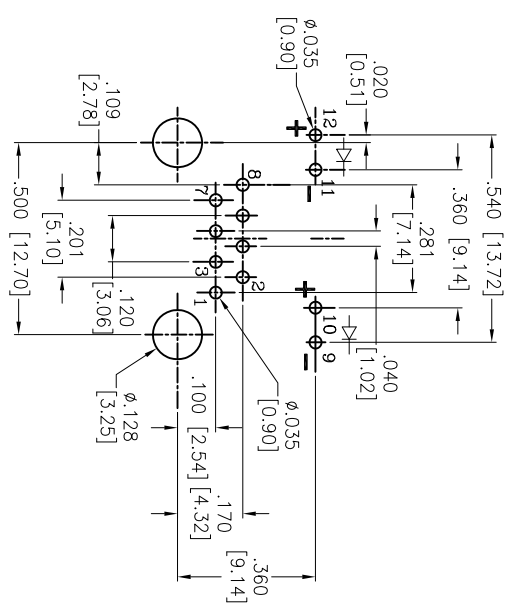
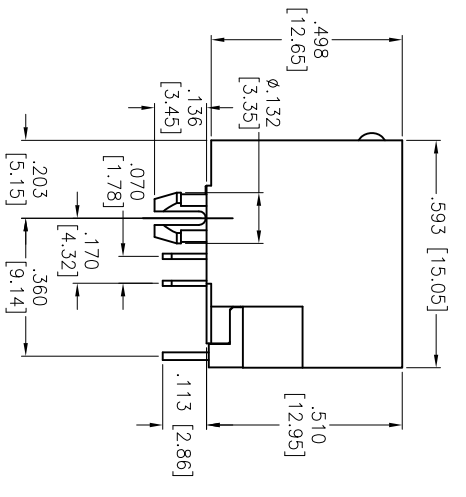
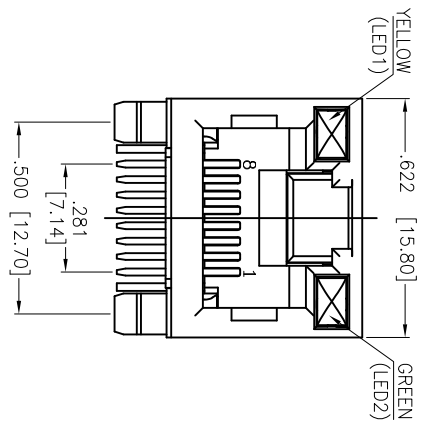
2

1

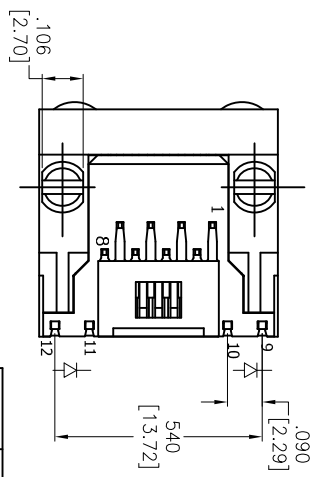
APPROVED: _____

DATE: _____ TITLE: _____

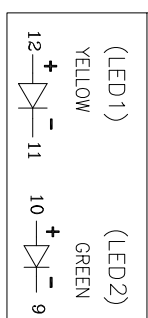
Rev	AWO #	Description	Date	Appr
-		RELEASED	5/2/05	
A		REDRAWN	12/05/11	
B		UPDATED DRAWING	3/25/15	HR/RC
C		UPDATED SPEC.	8/3/16	AV/NP



RECOMMENDED PCB LAYOUT



X	PLATING
0	15 µin Gold
1	30 µin Gold
2	50 µin Gold



SPECIFICATIONS:

Material: PBT, glass reinforced, rated UL 94V-0
Insulator color: Black
Contacts: Phosphor Bronze
Contacts Plating:
 Round contact
 Gold over Nickel underplate overall
 Flat contact
 Gold over Nickel underplate on contact area,
 Tin over Nickel underplate on solder tails
 (See chart for thickness)
Electrical:
 Voltage rating: 150 VAC rms
 Current rating: 1.5 Amp
 Contact Resistance: 20 mohms max
 Insulation resistance: 1000 Mohms min @ 500 VDC
 Dielectric withstanding voltage:
 1,000 VAC RMS (Contact to Contact) @0.5mA, 50Hz/60Hz for 1 minute.
 1,500 V AC/DC Peak (Contact to Screen and Test panel) @0.5mA, 50Hz/60Hz for 1 minute
Temperature Rating:
 Operating temperature: -40°C to +85°C
Environmental:
 Lead free, RoHS compliant.

UNLESS OTHERWISE SPECIFIED
 ALL DIMENSIONS ARE INCHES [MM]
 TOLERANCES: EXCEPT AS NOTED

INCHES	HOLES
.X ± .10	ØX ± .10
.XX ± .020	ØXX ± .015
.XXX ± .015	ØXXX ± .010



MODULAR TELEPHONE JACK, 8P8C
 RIGHT ANGLE, WITH LEDS

APPROVALS		DATE
DRAWN	SS	5/2/05
CHECKED		
APPROVED		

SIZE	PART NO.	REV.
X	MTJ-88ARX1-LG	C

REF: S00036C SCALE: NTS SHEET 1 OF 1

6

5

4

3

2

1