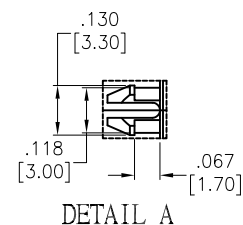
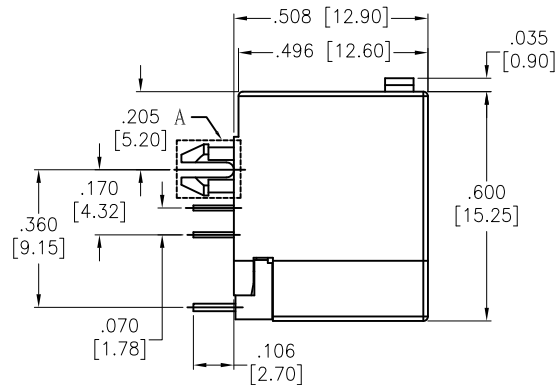
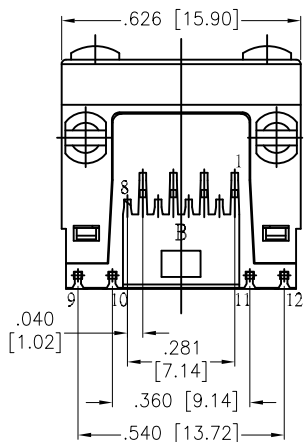
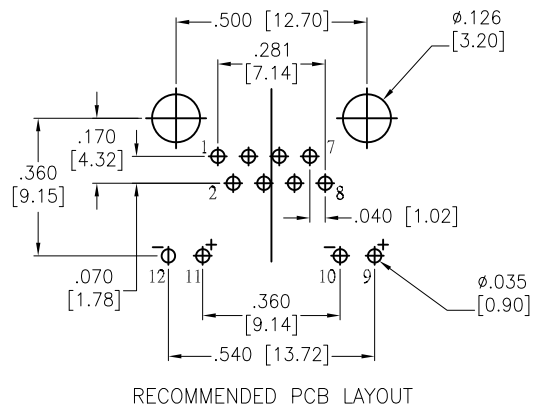
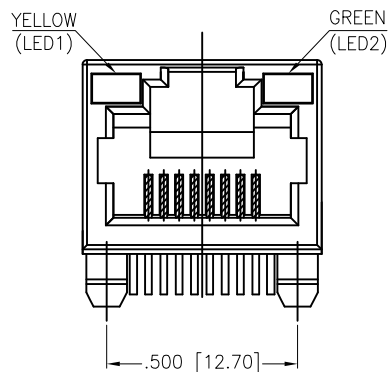


6	5	4	3	2	1		
APPROVED: _____			Rev	AWO #	Description	Date	Appr
DATE: _____ TITLE: _____			-		RELEASED	7/30/20	



SPECIFICATIONS:

Material:
 Insulator: Hi-Temp Thermoplastic, rated UL 94V-0
 Insulator color: Black
 Contacts: Phosphor Bronze
 Contacts Plating:
 Gold Flash over Nickel underplate on contact area,
 Tin over Nickel underplate on solder tails
 Electrical:
 Voltage rating: 150 VAC max
 Current rating: 1.5 Amp max @25°C
 Contact Resistance: 30 mohms max
 Insulation resistance: 500 Mohms min
 Dielectric withstanding voltage: 1000 VAC
 Temperature Rating:
 Operating temperature: -40°C to +70°C
 Environmental:
 Lead free, RoHS compliant.



UNLESS OTHERWISE SPECIFIED ALL DIMENSIONS ARE INCHES [MM] TOLERANCES: EXCEPT AS NOTED			
INCHES		HOLES	
.X	± .10	Ø.X	± .10
.XX	± .020	Ø.XX	± .015
.XXX	± .015	Ø.XXX	± .010
APPROVALS		DATE	
DRAWN	LH	7/30/20	
CHECKED	CC	7/30/20	
APPROVED			



TITLE MODULAR TELEPHONE JACK, 8P8C LED 1 YELLOW / LED 2 GREEN			
SIZE X	PART NO. MTJ-88ARX1-LG-Y-HT	REV. -	
REF: S00101C	SCALE: NTS	SHEET 1 OF 1	