

6

5

4

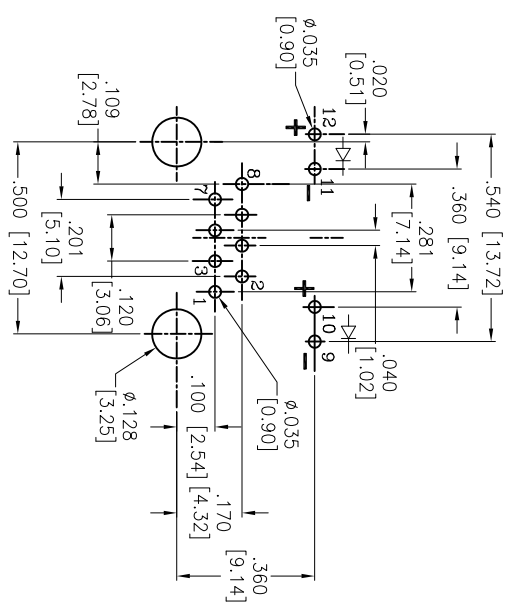
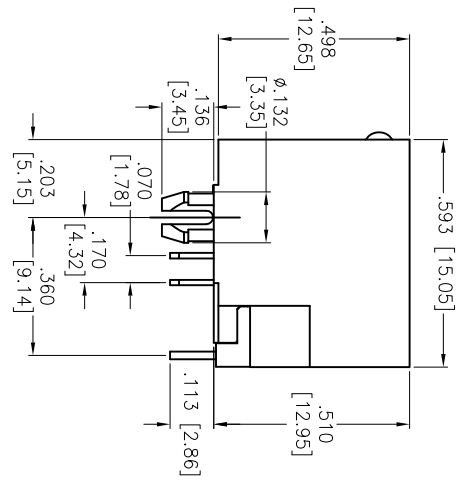
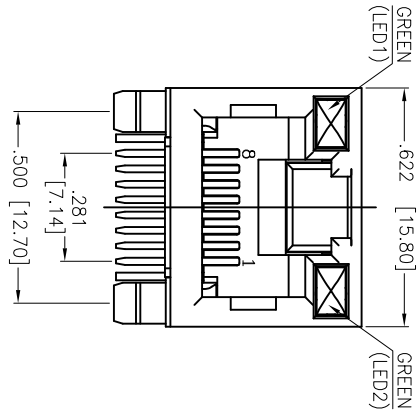
3

2

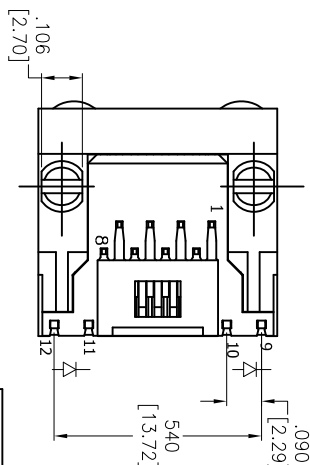
1

APPROVED: _____
 DATE: _____ TITLE: _____

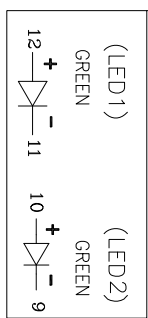
Rev	AWO #	Description	Date	Appr
-		RELEASED	5/2/05	
A		REDRAWN	12/05/11	
B		UPDATED DRAWING	3/25/15	HR/YC
C		UPDATED SPEC.	8/3/16	AV/NP



RECOMMENDED PCB LAYOUT



X	PLATING
0	15 µin Gold
1	30 µin Gold
2	50 µin Gold



SPECIFICATIONS:

Material:
 Insulator: PBT, glass reinforced, rated UL 94V-0
 Insulator color: Black
 Contacts: Phosphor Bronze
 Contacts Plating:
 Round contact
 Gold over Nickel underplate overall
 Flat contact
 Gold over Nickel underplate on contact area,
 Tin over Nickel underplate on solder tails
 (See chart for thickness)
 Electrical:
 Voltage rating: 150 VAC rms
 Current rating: 1.5 Amp
 Contact Resistance: 20 mohms max
 Insulation resistance: 1000 Mohms min @ 500 VDC
 Dielectric withstanding voltage:
 1,000 VAC RMS (Contact to Contact) @0.5mA, 50Hz/60Hz for 1 minute.
 1,500 V AC/DC Max. (Contact to Screen and Test panel) @0.5mA, 50Hz/60Hz for 1 minute
 Temperature Rating:
 Operating temperature: -40°C to +85°C
 Environmental:
 Lead free, RoHS compliant.

UNLESS OTHERWISE SPECIFIED
 ALL DIMENSIONS ARE IN INCHES [MM]
 TOLERANCES: EXCEPT AS NOTED

INCHES	HOLDS
.X ± .10	ØX ± .10
.XX ± .020	ØXX ± .015
.XXX ± .015	ØXXX ± .010

APPROVALS

DATE	DATE

DRAWN SS 5/2/05

CHECKED

APPROVED



**MODULAR TELEPHONE JACK, 8P8C
 RIGHT ANGLE, WITH GREEN LEDs**

SIZE	PART NO.	REV.
X	MTJ-88ARX1-4LD	C

REF: S0003C SCALE: NTS SHEET 1 OF 1

6

5

4

3

2

1