

6

5

4

3

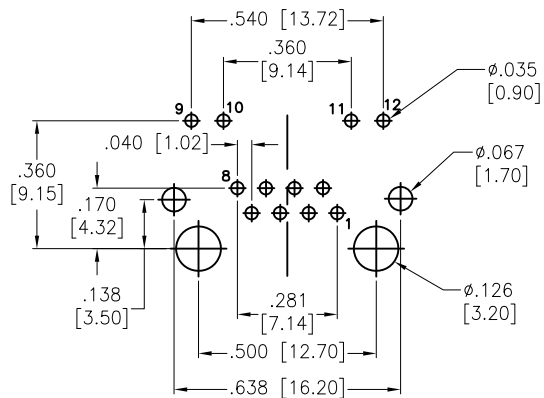
2

1

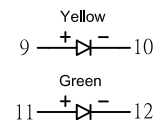
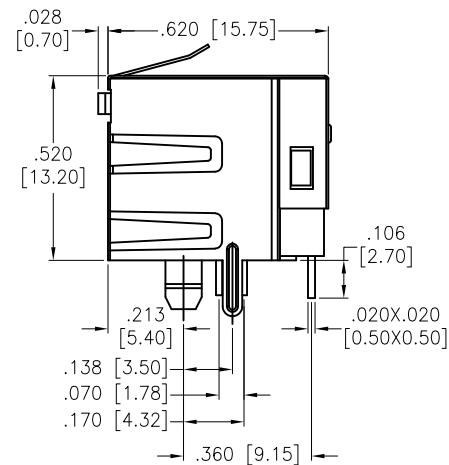
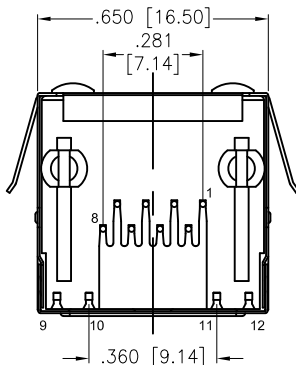
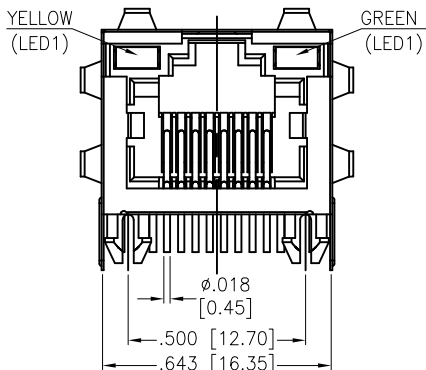
APPROVED: \_\_\_\_\_

DATE: \_\_\_\_\_ TITLE: \_\_\_\_\_

Rev	AWO #	Description	Date	Appr
-		RELEASED	3/22/22	



RECOMMENDED PCB LAYOUT



LED SCHEMATIC

**SPECIFICATIONS:**

Material:  
 Insulator: PBT, rated UL 94V-0  
 Insulator color: Black  
 Contacts: Phosphor Bronze  
 Shield: Brass, Nickel plated  
 Plating:  
 Round contact  
 Gold over Nickel underplate overall  
 Flat contact  
 Gold over Nickel underplate on contact area,  
 Tin over Nickel underplate on solder tails  
 Electrical:  
 Voltage rating: 150 VAC max  
 Current rating: 1.5 Amp max @25°C  
 Contact resistance: 30 mohms max  
 Insulation resistance: 500 Mohms min  
 Dielectric withstanding voltage: 1000 VAC  
 Temperature Rating:  
 Operating temperature: -40°C to +70°C  
 Environmental:  
 Lead free, RoHS compliant.



UNLESS OTHERWISE SPECIFIED ALL DIMENSIONS ARE INCHES [MM]. TOLERANCES: EXCEPT AS NOTED

INCHES		HOLES	
.X	±.10	Ø.X	±.10
.XX	±.020	Ø.XX	±.015
.XXX	±.015	Ø.XXX	±.010

DRAWN	LH	3/22/22
CHECKED	YC	3/22/22
APPROVED		

THIS DRAWING CONTAINS INFORMATION THAT IS PROPRIETARY AND SHOULD NOT BE USED WITHOUT PRIOR WRITTEN PERMISSION FROM ADAM TECH



TITLE  
 MODULAR TELEPHONE JACK, 1 PORT, 8P8C  
 W/ LED1 YELLOW, LED2 GREEN

SIZE X	PART NO. MTJ-88ARX1-FSW-PG-LG-Y	REV. -
REF: S00101C	SCALE: NTS	SHEET 1 OF 1

6

5

4

3

2

1