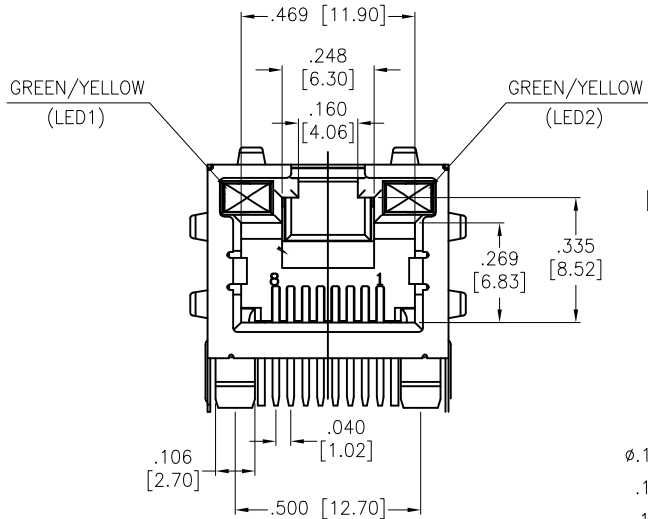
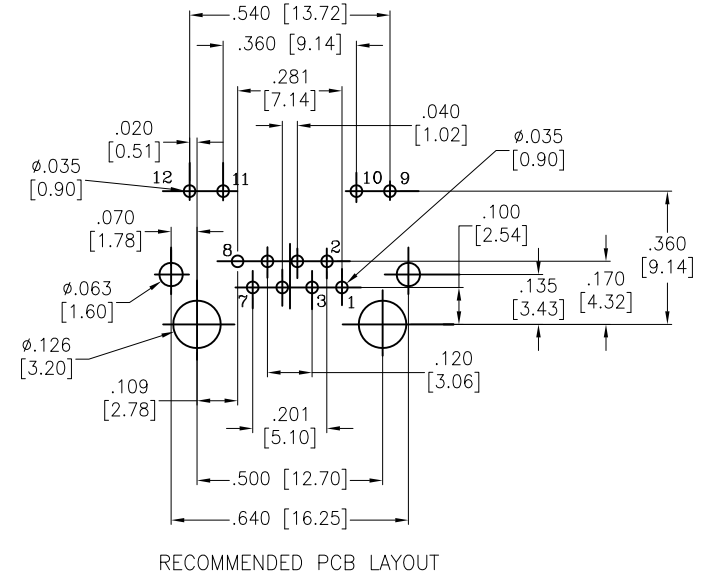
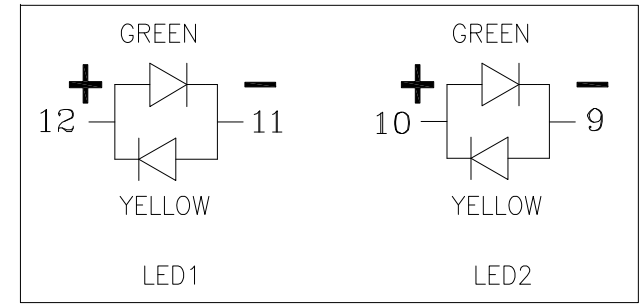
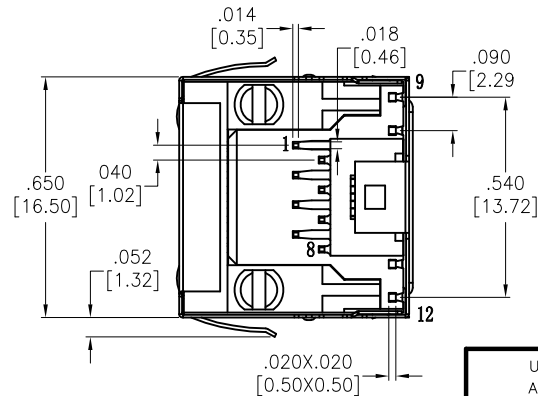
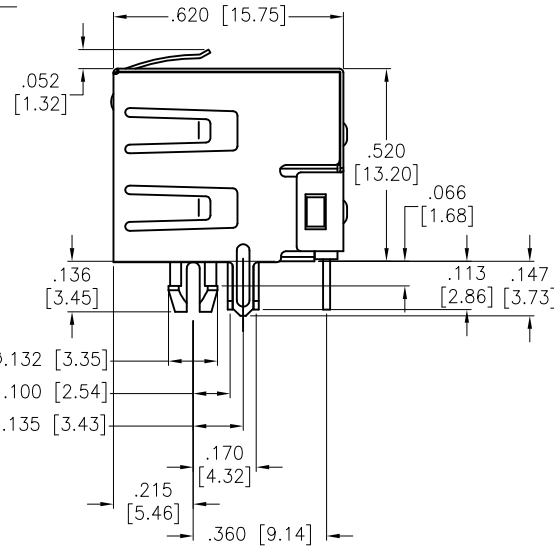


APPROVED: _____
 DATE: _____ TITLE: _____

Rev	AWO #	Description	Date	Appr
-		RELEASED	6/24/14	
A		UPDATED SPEC.	3/11/15	HR/CH
B		UPDATED SPEC.	4/13/15	HR/LW
C		UPDATED SPEC.	6/17/16	HR/CH



X	PLATING
0	15 µin Gold
1	30 µin Gold
2	50 µin Gold
6	6 µin Gold



SPECIFICATIONS:

Material:
 Insulator: PBT, glass reinforced, rated UL 94V-0
 Insulator color: Black
 Contacts: Phosphor Bronze
 Shield: Brass, Nickel plated
 Contacts Plating:
 Round contact
 Gold over Nickel underplate overall
 Flat contact
 Gold over Nickel underplate on contact area,
 Tin over Nickel underplate on solder tails
 (See chart for thickness)

Electrical:
 Voltage rating: 150 VAC rms
 Current rating: 1.5 Amps max
 Contact resistance: 20 mohms max. initial
 Insulation resistance: 1000 Mohms min @ 500 VDC
 Dielectric withstanding voltage:
 Contact to Contact: 1,000 VDC or AC Peak for 1 minute
 Contact to Screen and Test panel: 1,500 VDC or AC Peak for 1 minute
Temperature Rating:
 Operating temperature: -40°C to +85°C
 Environmental:
 Lead free, RoHS compliant.



UNLESS OTHERWISE SPECIFIED
 ALL DIMENSIONS ARE MM [INCHES]
 TOLERANCES: EXCEPT AS NOTED

INCHES	HOLES
.X ± .10 [2.54]	Ø.X ± .10 [2.54]
.XX ± .020 [.51]	Ø.XX ± .015 [.38]
.XXX ± .015 [.38]	Ø.XXX ± .010 [.25]

APPROVALS		DATE
DRAWN	HR	6/24/14
CHECKED	SC	6/24/14
APPROVED		



TITLE			
MODULAR TELEPHONE JACK, W/ PANEL GROUNDS, W/ LED1 GREEN/YELLOW, LED2 GREEN/YELLOW			
SIZE	PART NO.	REV.	
X	MTJ-88ARX1-FSM-PG-L16	C	
REF:	S00005C	SCALE: NTS	SHEET 1 OF 1