

6

5

4

3

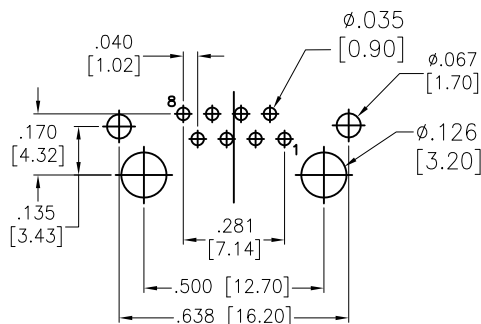
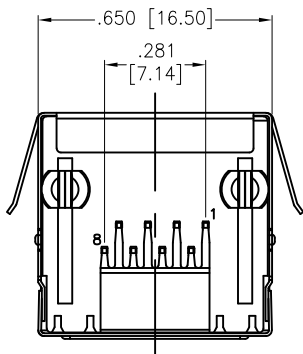
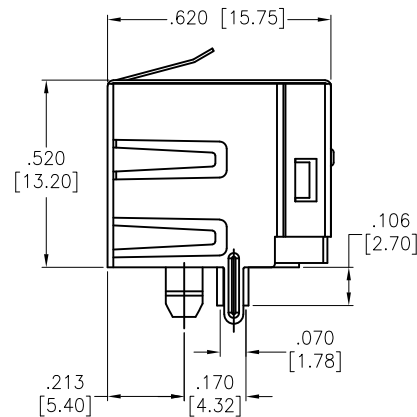
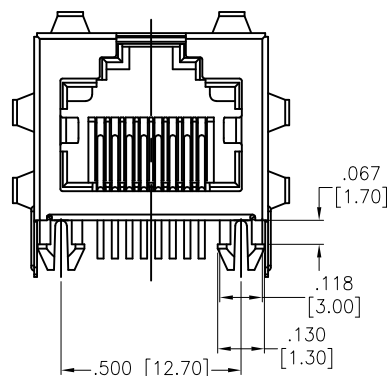
2

1

APPROVED: _____

DATE: _____ TITLE: _____

Rev	AWO #	Description	Date	Appr
-		RELEASED	9/27/21	



RECOMMENDED PCB LAYOUT

SPECIFICATIONS:

Material:

Insulator: Hi-Temp Thermoplastic, rated UL 94V-0

Insulator color: Black

Contacts: Phosphor Bronze

Shield: Brass, Nickel plated

Plating:

Round contact

Gold over Nickel underplate overall

Flat contact

Gold over Nickel underplate on contact area

Tin over Nickel underplate on solder tails

Electrical:

Voltage Rating: 150 VAC max

Current rating: 1.5 Amps max

Contact Resistance: 30 mohms max.

Insulation resistance: 500 Mohms min @500 VDC

Dielectric withstanding voltage: 1000 VAC

Temperature Rating:

Operating temperature: -40°C to +70°C

Environmental:

Lead free, RoHS compliant.



UNLESS OTHERWISE SPECIFIED ALL DIMENSIONS ARE INCHES [MM]. TOLERANCES: EXCEPT AS NOTED		
INCHES	HOLES	
.X ± .10	ØX	± .10
.XX ± .020	ØXX	± .015
.XXX ± .015	ØXXX	± .010
DRAWN	WX	9/27/21
CHECKED	RL	9/27/21
APPROVED		
THIS DRAWING CONTAINS INFORMATION THAT IS PROPRIETARY AND SHOULD NOT BE USED WITHOUT PRIOR WRITTEN PERMISSION FROM ADAM TECH		



TITLE		
MODULAR TELEPHONE JACK, R/A		
SIZE	PART NO.	REV.
X	MTJ-88ARX1-FSM-PG-HT-D	-
REF: S00101C	SCALE: NTS	SHEET 1 OF 1

6

5

4

3

2

1