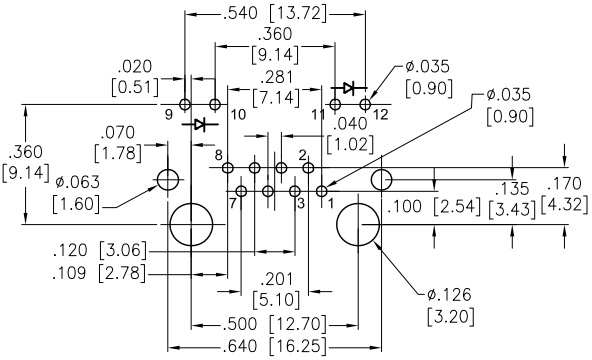
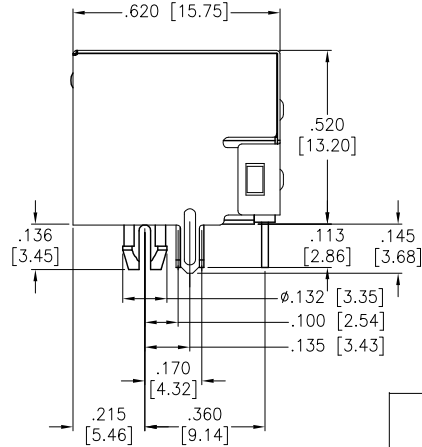
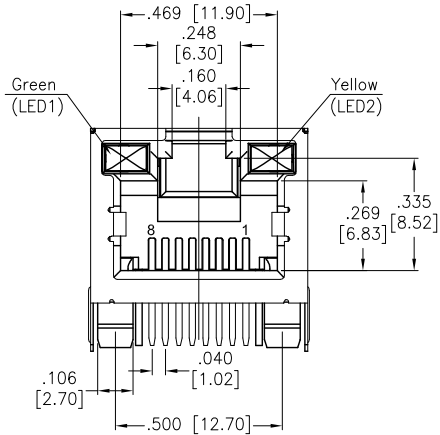
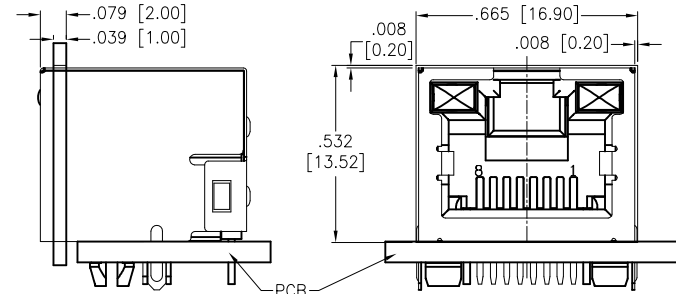
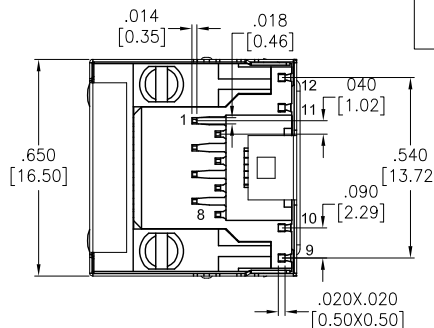
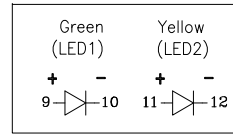


APPROVED: \_\_\_\_\_  
 DATE: \_\_\_\_\_ TITLE: \_\_\_\_\_

Rev	AWO #	Description	Date	Appr
-		Released	8/4/06	
A		Added LED CHART	9/3/10	SS
B		REDRAWN	11/15/11	
C		ADDED TOP VIEW TO PCB LAYOUT	12/15/11	
D		ADDED PANEL CUTOUT AND JACK LOCATION	8/14/12	
E		REVISED HEIGHT DIMENSION	8/21/12	
F		UPDATE SHAPE	9/11/14	AY/NP
G		UPDATE SPEC.	3/13/15	AY/CH
H		UPDATE SPEC.	4/13/15	HR/LW
I		UPDATE SPEC.	6/17/16	HR/CH
J		ADDED LED POLARITY	7/8/20	SS



X	PLATING
0	15 µin Gold
1	30 µin Gold
2	50 µin Gold
6	6 µin Gold



**SPECIFICATIONS:**

**Material:**  
 Insulator: PBT, glass reinforced, rated UL 94V-0  
 Insulator color: Black  
 Contacts: Phosphor Bronze  
 Shield: Brass, Nickel plated  
 Contacts Plating:  
 Round contact  
 Gold over Nickel underplate overall  
 Flat contact  
 Gold over Nickel underplate on contact area,  
 Tin over Nickel underplate on solder tails  
 (See chart for thickness)

**Electrical:**  
 Voltage rating: 150 VAC rms  
 Current rating: 1.5 Amps max  
 Contact resistance: 20 mohms max. initial  
 Insulation resistance: 1000 Mohms min @ 500 VDC  
 Dielectric withstanding voltage:  
 Contact to Contact: 1,000 VDC or AC Peak for 1 minute  
 Contact to Screen and Test panel: 1,500 VDC or AC Peak for 1 minute

**Temperature Rating:**  
 Operating temperature: -40°C to +85°C  
 Environmental:  
 Lead free, RoHS compliant.



**RECOMMENDED PANEL CUTOUT AND JACK LOCATION**

UNLESS OTHERWISE SPECIFIED ALL DIMENSIONS ARE MM [INCHES] TOLERANCES: EXCEPT AS NOTED			
INCHES		HOLES	
.X	± .10 [2.54]	ØX	± .10 [2.54]
.XX	± .020 [.51]	ØXX	± .015 [.38]
.XXX	± .015 [.38]	ØXXX	± .010 [.25]
APPROVALS		DATE	
DRAWN	SLS	8/4/06	
CHECKED			
APPROVED			



TITLE MODULAR TELEPHONE JACK, R/A, 8P8C W/ LED1 GREEN, LED2 YELLOW			
SIZE X	PART NO. MTJ-88ARX1-FSM-LH	REV. J	
REF: S00005C	SCALE: NTS	SHEET 1 OF 1	