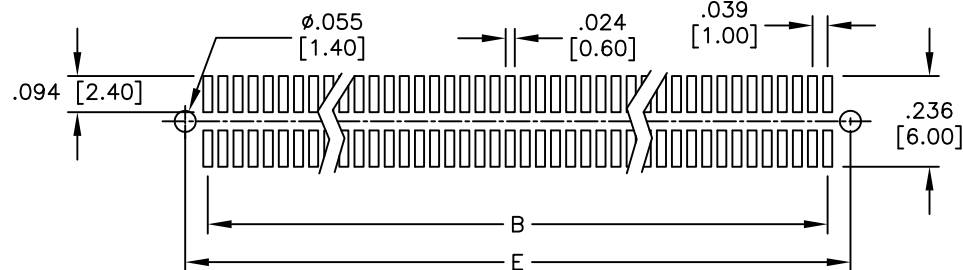
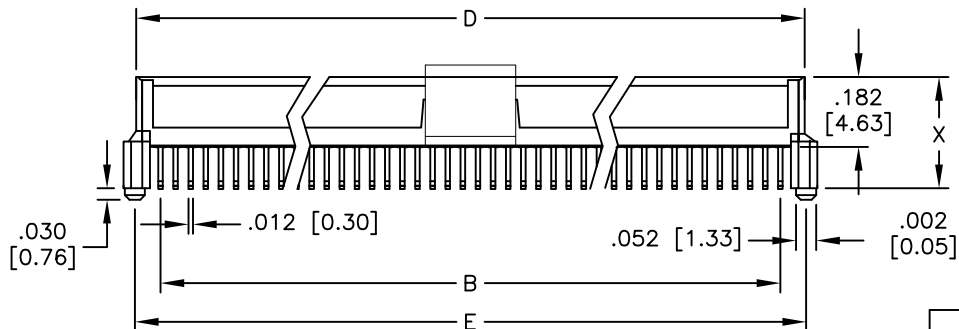
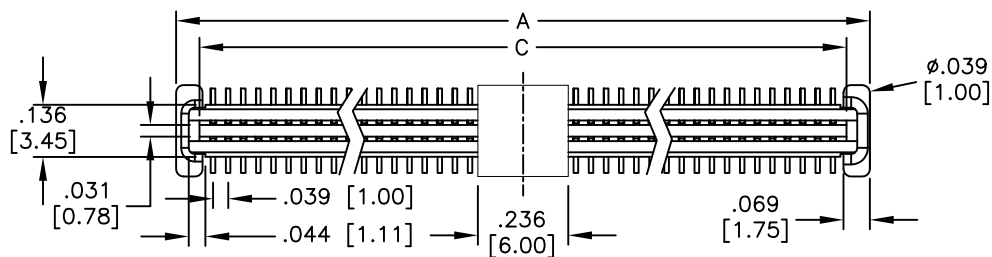


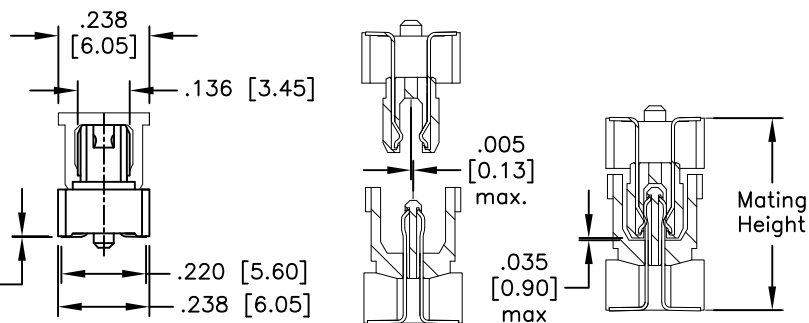
APPROVED: \_\_\_\_\_

DATE: \_\_\_\_\_ TITLE: \_\_\_\_\_



RECOMMENDED PCB LAYOUT

Rev	AWO #	Description	Date	Appr
-		RELEASED	6/28/10	
A		REVISED INSULATOR COLOR	8/22/12	
B		ADDED ASSEMBLY VIEW	6/25/15	HR/SY
C		UPDATE DRAWING	3/10/16	AY/MY



ADAM P/N	X	Plug Height	Mating Height
BB10-SO-XXX-G-5.37-PP-T/R	.211 [5.37]	.250 [6.35]	.315 [8.00]
		.289 [7.35]	.354 [9.00]
		.328 [8.35]	.394 [10.00]
BB10-SO-XXX-G-7.37-PP-T/R	.290 [7.37]	.250 [6.35]	.394 [10.00]
		.289 [7.35]	.433 [11.00]
		.328 [8.35]	.472 [12.00]
BB10-SO-XXX-G-8.37-PP-T/R	.330 [8.37]	.250 [6.35]	.433 [11.00]
		.289 [7.35]	.472 [12.00]
		.328 [8.35]	.513 [13.00]
BB10-SO-XXX-G-10.37-PP-T/R	.408 [10.37]	.250 [6.35]	.513 [13.00]
		.289 [7.35]	.551 [14.00]
		.328 [8.35]	.591 [15.00]

Mated with: BB10-PO-XXX-G-X.XX-PP-T/R  
BB10-PO-XXX-G-X.XX-NP-PP-T/R

PACKAGED ON TAPE & REEL

A = .039 [1.00] x (No. of Positions per row) + .154 [3.90]  
 B = .039 [1.00] x (No. of Positions per row) - .039 [1.00]  
 C = .039 [1.00] x (No. of Positions per row) + .031 [0.80]  
 D = .039 [1.00] x (No. of Positions per row) + .087 [2.22]  
 E = .039 [1.00] x (No. of Positions per row) + .094 [2.40]

SPECIFICATIONS:

Material:  
 Insulator: Hi-temp thermoplastic, rated UL 94V-0  
 Insulator color: Black  
 Contacts: Copper Alloy  
 Plating:  
 Gold flash over Nickel underplate overall.  
 Electrical:  
 Current rating: 0.5 Amps  
 Contact resistance: 40 mohms max @ DC 1mA  
 Insulation resistance: 100 Mohms min @ DC 100V  
 Dielectric withstanding voltage: AC 500V for 1 minute  
 Temperature Rating:  
 Operating Temperature: -40°C to +85°C  
 Environmental:  
 Lead free, RoHS compliant



UNLESS OTHERWISE SPECIFIED  
 ALL DIMENSIONS ARE INCHES [MM]  
 TOLERANCES: EXCEPT AS NOTED

INCHES		HOLES	
.X ± .10	ØX ± .10		
.XX ± .020	ØXX ± .015		
.XXX ± .015	ØXXX ± .010		



APPROVALS		DATE
DRAWN	DY	6/28/10
CHECKED		
APPROVED		

TITLE .039 [1.00] BOARD TO BOARD SOCKET, SMT TYPE		
SIZE X	PART NO. BB10-SO-XXX-G-X.XX-PP-T/R	REV. C
REF: S00058T	SCALE: NTS	SHEET 1 OF 1