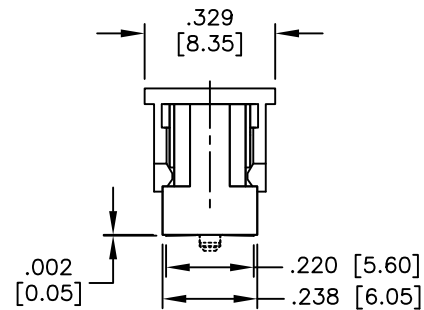
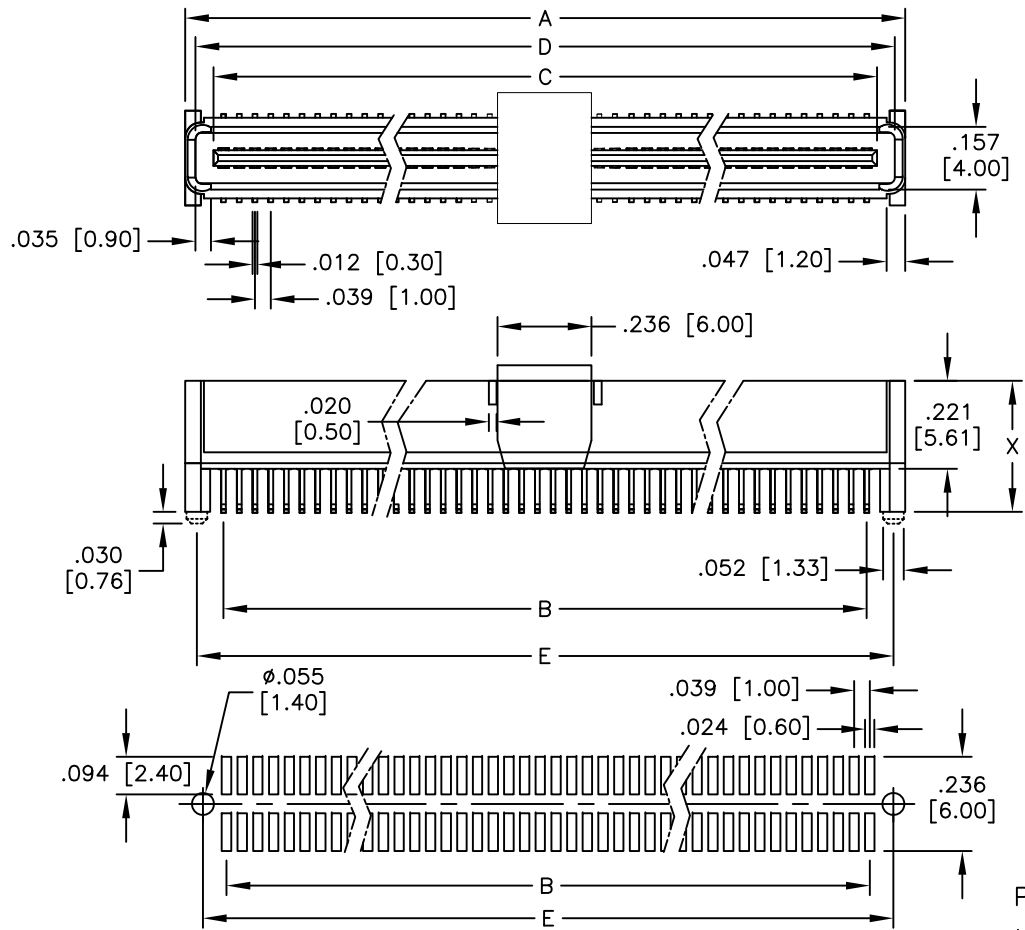


APPROVED: _____
 DATE: _____ TITLE: _____

Rev	AWO #	Description	Date	Appr
-		RELEASED	11/30/10	
A		REVISED INSULATOR COLOR	8/22/12	
B		UPDATE DRAWING	3/10/16	AY/MY



ADAM P/N	X
BB10-PO-XXX-G-6.35-PP-T/R	.250 [6.35]
BB10-PO-XXX-G-7.35-PP-T/R	.289 [7.35]
BB10-PO-XXX-G-8.35-PP-T/R	.329 [8.35]

RECOMMENDED PCB LAYOUT

SPECIFICATIONS:
 Material:
 Insulator: Hi-temp thermoplastic, rated UL 94V-0
 Insulator color: Black
 Contacts: Copper Alloy
 Plating:
 Gold flash over Nickel underplate overall.
 Electrical:
 Current rating: 0.5 Amps
 Contact resistance: 40 mohms max @ DC 1mA
 Insulation resistance: 100 Mohms min @ DC 100V
 Dielectric withstanding voltage: AC 500V for 1 minute
 Temperature Rating:
 Operating Temperature: -40°C to +85°C
 Environmental:
 Lead free, RoHS compliant



PACKAGED ON TAPE & REEL

- A = .039 [1.00] x (No. of Positions per row) + .154 [3.90]
- B = .039 [1.00] x (No. of Positions per row) - .039 [1.00]
- C = .039 [1.00] x (No. of Positions per row) + .012 [0.30]
- D = .039 [1.00] x (No. of Positions per row) + .094 [2.38]
- E = .039 [1.00] x (No. of Positions per row) + .094 [2.40]

UNLESS OTHERWISE SPECIFIED ALL DIMENSIONS ARE INCHES [MM] TOLERANCES: EXCEPT AS NOTED	
.X ± .10	∅X ± .10
.XX ± .020	∅XX ± .015
.XXX ± .015	∅XXX ± .010
INCHES HOLES	
APPROVALS	
DRAWN	DY
CHECKED	
APPROVED	
DATE: 11/30/10	

TITLE: .039 [1.00] BOARD TO BOARD PLUG, SMT TYPE

SIZE: X	PART NO.: BB10-PO-XXX-G-X.XX-PP-T/R	REV.: A
REF: S00058T	SCALE: NTS	SHEET 1 OF 1