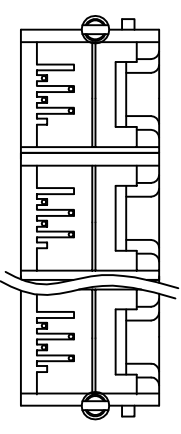
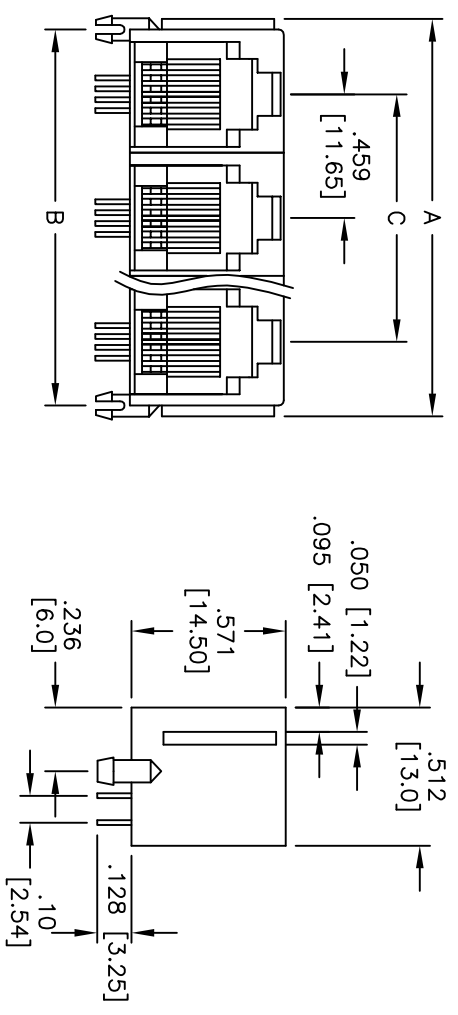
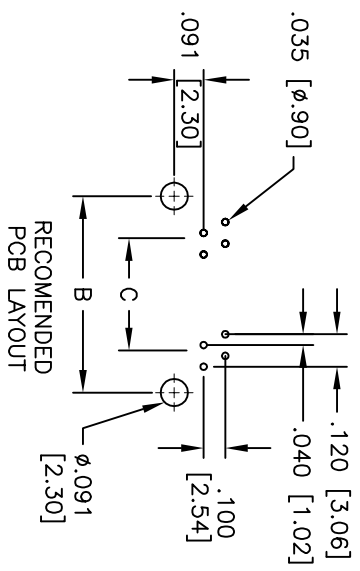


APPROVED: \_\_\_\_\_  
 DATE: \_\_\_\_\_ TITLE: \_\_\_\_\_

Rev	AWO #	Description	Date	Appr
-		RELEASED	10/4/04	
A		UPDATED	12/27/07	



A = .459 [11.65] x No. of Ports + .120 [3.05]  
 B = .459 [11.65] x No of Ports + .020 [0.50]  
 C = .459 [11.65] x No of Ports - .1



RECOMMENDED  
PCB LAYOUT

**SPECIFICATIONS:**  
 Material:  
 Insulator: PBT, rated UL 94V-0  
 Insulator color: Black  
 Contacts: Phosphor Bronze  
 Plating:  
 Flat contact  
 Gold over Nickel underplate on contact area,  
 Tin over Copper underplate on solder tails  
 Round contact  
 Gold over Nickel underplate overall

**Electrical:**  
 Operating voltage: 150 VAC max  
 Current rating: 1.5 Amps max  
 Contact resistance: 20 mohms max  
 Insulation resistance: 500 Mohms min @ 500 VDC  
 Dielectric withstanding voltage: 1000 VAC for 1 minute  
 Temperature Rating:  
 Operating temperature: -40°C to +125°C  
 Environmental:  
 Lead free, RoHS compliant.



TITLE: GANGED MODULAR TELEPHONE JACK, 6P4C  
 RIGHT ANGLE, PCB

UNLESS OTHERWISE SPECIFIED ALL DIMENSIONS ARE INCHES [MM] TOLERANCES: EXCEPT AS NOTED	
.X INCHES	± .10
.XX INCHES	± .020
.XXX INCHES	± .015
ØX HOLE	± .10
ØXXX HOLE	± .015
ØXXX HOLE	± .010
APPROVALS	DATE
DRAWN	SS
CHECKED	
APPROVED	

SIZE	PART NO.	REV.
X	MTJG-X-642BX1	A
REF:	SCALE: NTS	SHEET 1 OF 1