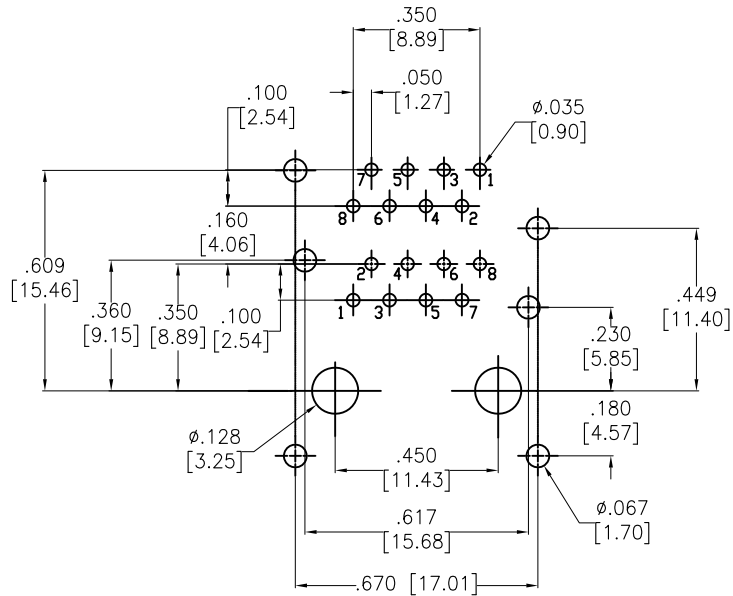
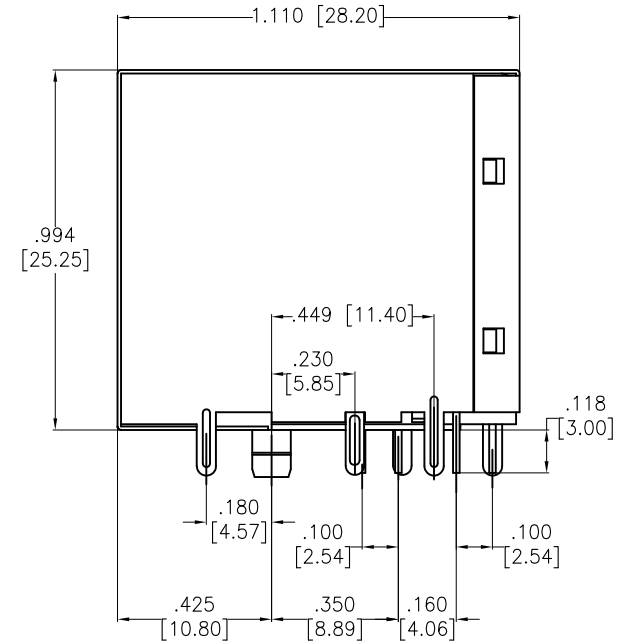
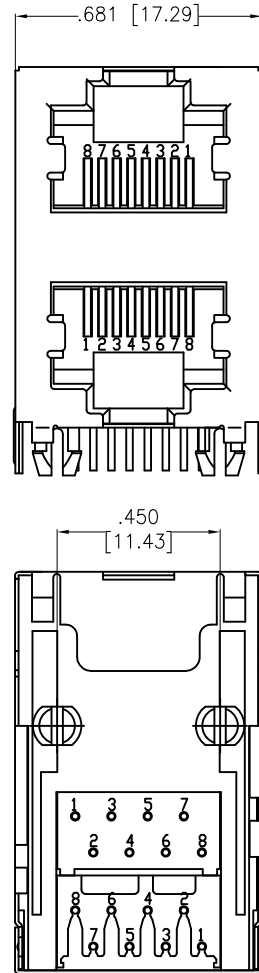


APPROVED: \_\_\_\_\_  
 DATE: \_\_\_\_\_ TITLE: \_\_\_\_\_

Rev	AWO #	Description	Date	Appr
-		RELEASED	7/17/12	
A		UPDATE DRAWING	7/8/19	OW/IL



RECOMMENDED PCB LAYOUT



**SPECIFICATIONS:**

**Material:**

Housing: PBT, rated UL 94V-0, Color: Black

Insert: PBT, rated UL 94V-0, Color: Black

Contacts: Copper Alloy

Shell: Brass, Nickel plated

**Contact Plating:**

Gold flash over Nickel underplate overall

**Electrical:**

Voltage rating: 125 VAC (rms)

Current rating: 1.5A MIN.

Contact Resistance: 30 mohms max.

Insulation resistance: 500 Mohms min

Dielectric withstanding voltage: 1,000 VAC for 1 minute

**Temperature Rating:**

Operating temperature: -40°C to +85°C

**Environmental:**

Lead free, RoHS compliant.



UNLESS OTHERWISE SPECIFIED  
 ALL DIMENSIONS ARE INCHES [MM]  
 TOLERANCES: EXCEPT AS NOTED  
 INCHES HOLES

.X ± .10	∅X ± .10
.XX ± .020	∅XX ± .015
.XXX ± .015	∅XXX ± .010



TITLE

MODULAR JACK GANGED, 2PORT, 8P8C

APPROVALS		DATE
DRAWN	AY	7/17/12
CHECKED	SC	7/17/12
APPROVED		

SIZE	PART NO.	REV.
X	MTJG-2-88JX1-FSG-HT-A	A
REF: S00167T		SCALE: NTS
		SHEET 1 OF 1