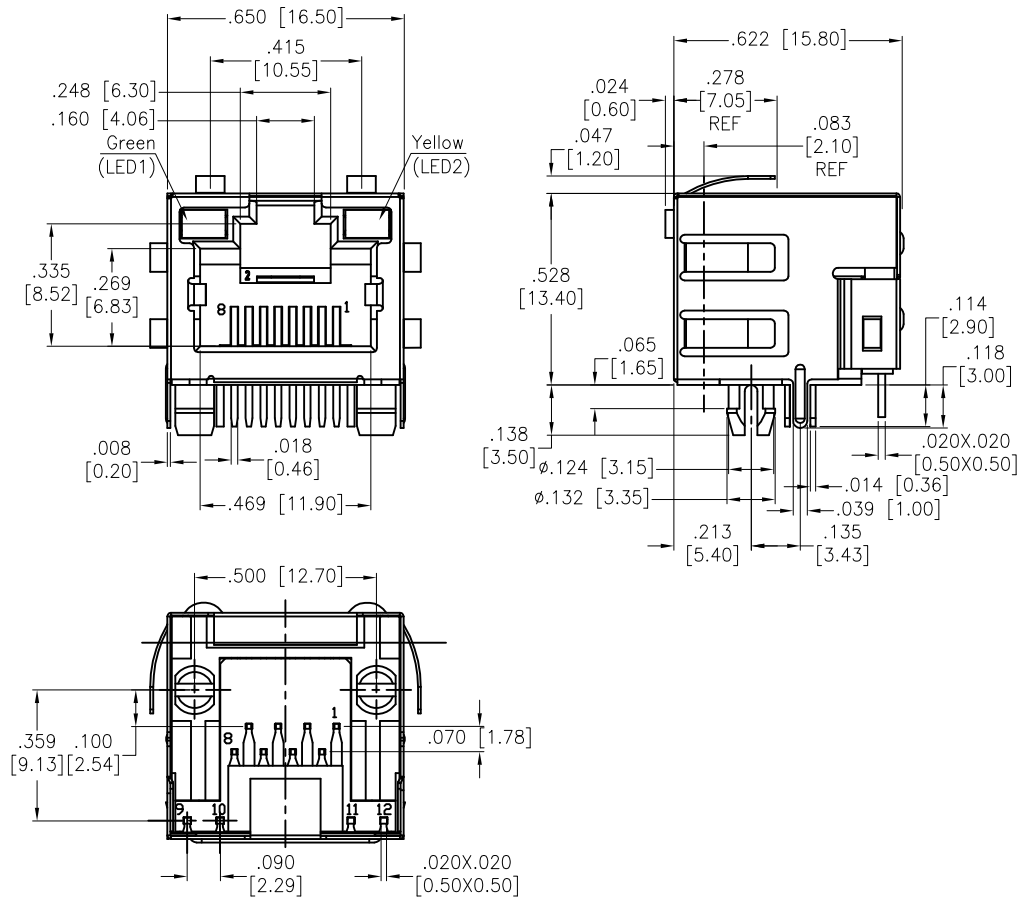
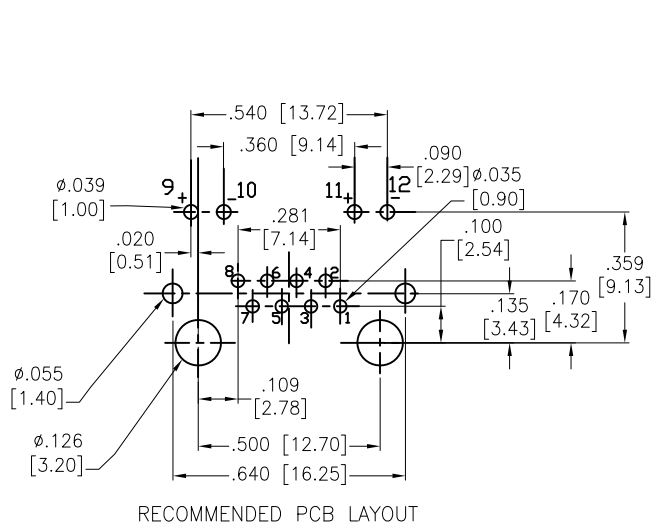


APPROVED: _____
 DATE: _____ TITLE: _____

Rev	AWO #	Description	Date	Appr
-		RELEASED	11/1/21	



SPECIFICATIONS:

Material:
 Insulator: PBT, rated UL 94V-0
 Insulator color: Black
 Contacts: Phosphor Bronze
 Shell: Brass, Nickel Plated

Plating:

Round contact
 Gold over Nickel underplate overall
 Flat contact
 Gold over Nickel underplate on contact area,
 Matte Tin over Nickel underplate on solder tails

Electrical:
 Voltage rating: 150 VAC rms
 Current rating: 1.5 Amps max
 Contact resistance: 20 mΩ max
 Insulation resistance: 500 MΩ min @ 500 VDC
 Dielectric withstanding voltage: 1,000 VAC for 1 minute, Contacts
 1,500 VAC for 1 minute, Shell

Temperature Rating:
 Operating temperature: -40°C to +85°C

Environmental:
 Lead free, RoHS compliant.



UNLESS OTHERWISE SPECIFIED ALL DIMENSIONS ARE INCHES [MM]. TOLERANCES: EXCEPT AS NOTED		
INCHES	HOLES	
.X ± .10	ØX	± .10
.XX ± .020	ØXX	± .015
.XXX ± .015	ØXXX	± .010
DRAWN	LH	11/1/21
CHECKED	TL	11/1/21
APPROVED		
THIS DRAWING CONTAINS INFORMATION THAT IS PROPRIETARY AND SHOULD NOT BE USED WITHOUT PRIOR WRITTEN PERMISSION FROM ADAM TECH		

TITLE: MODULAR TELEPHONE JACK, R/A
 W/ PANEL, LED1 GREEN / LED2 YELLOW

SIZE	PART NO.	REV.
X	MTJ-88ARX1C-FSM-PG-LH-A	-

REF: S00005C SCALE: NTS SHEET 1 OF 1