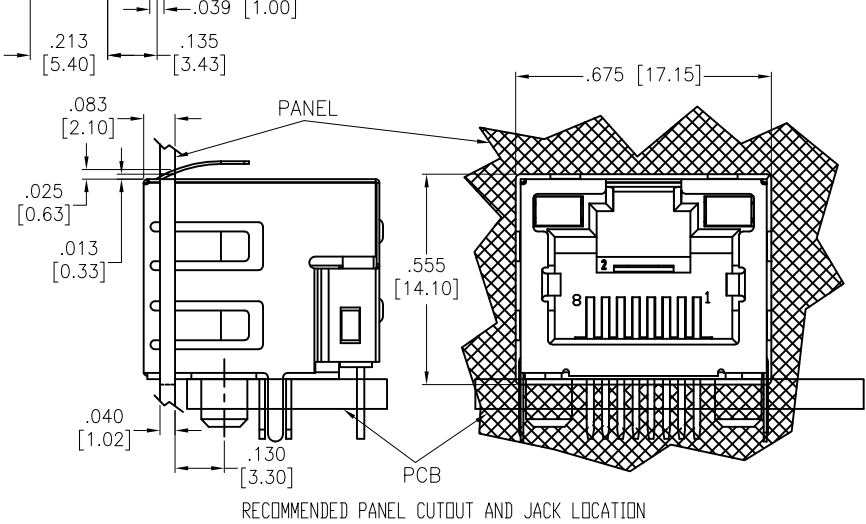
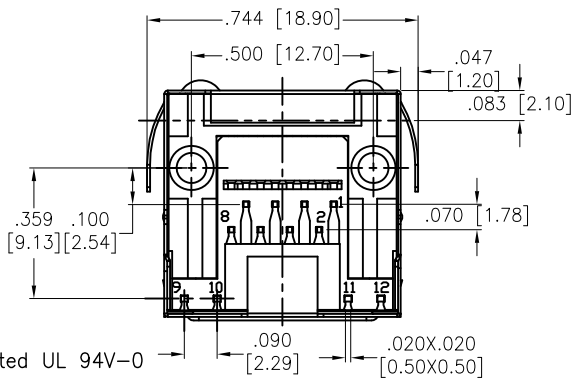
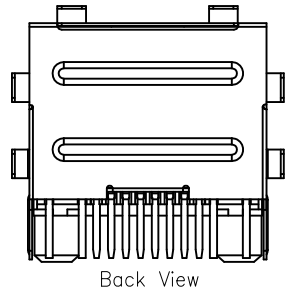
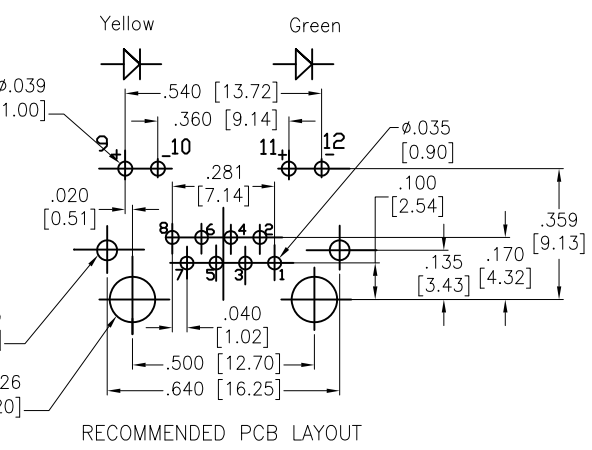
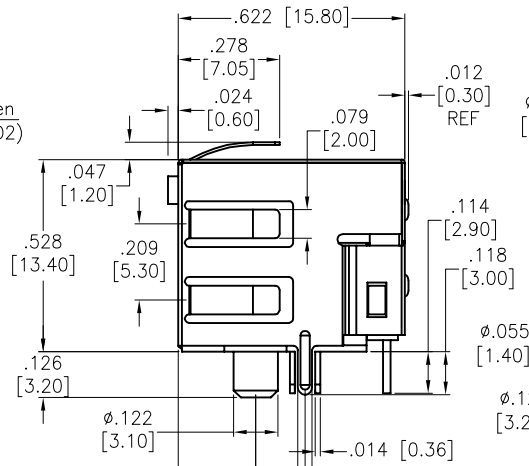
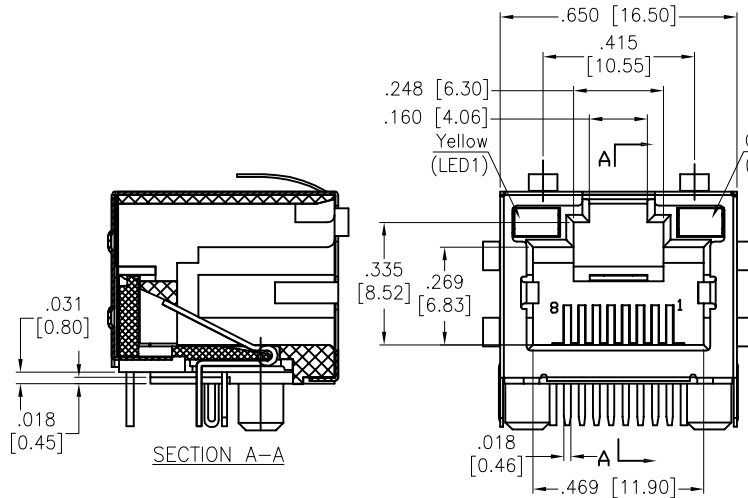


APPROVED: _____
 DATE: _____ TITLE: _____

Rev	AWO #	Description	Date	Appr
-		RELEASED	12/9/14	
A		ADDED DIM.	4/27/17	AY/CH
B		UPDATE DRAWING	10/25/21	LH/LW



SPECIFICATIONS:
 Material:
 Insulator: Hi-temp thermoplastic, rated UL 94V-0
 Insulator color: Black
 Contacts: Phosphor Bronze
 Shell: Metal Alloy, Nickel Plated
Plating:
 Round contact
 Gold over Nickel underplate overall
 Flat contact
 Gold over Nickel underplate on contact area,
 Matte Tin over Nickel underplate on solder tails
 Electrical:
 Voltage rating: 150 VAC rms
 Current rating: 1.5 Amps max
 Contact resistance: 20 mΩ max
 Insulation resistance: 500 MΩ min @ 500 VDC
 Dielectric withstanding voltage: 1,000 VAC for 1 minute, Contacts
 1,500 VAC for 1 minute, Shell
 Temperature Rating:
 Operating temperature: -40°C to +85°C
 Environmental:
 Lead free, RoHS compliant.



UNLESS OTHERWISE SPECIFIED ALL DIMENSIONS ARE INCHES [MM]. TOLERANCES: EXCEPT AS NOTED

INCHES		HOLES	
.X	±.10	Ø.X	±.10
.XX	±.020	Ø.XX	±.015
.XXX	±.015	Ø.XXX	±.010



DRAWN	AY	12/9/14
CHECKED	NP	12/9/14
APPROVED		

TITLE: MODULAR TELEPHONE JACK, R/A
 W/ PANEL, LED1 YELLOW / LED2 GREEN

SIZE	PART NO.	REV.
X	MTJ-88ARX1C-FSM-PG-LG-HT	B
REF:	S00005C	SCALE: NTS
		SHEET 1 OF 1