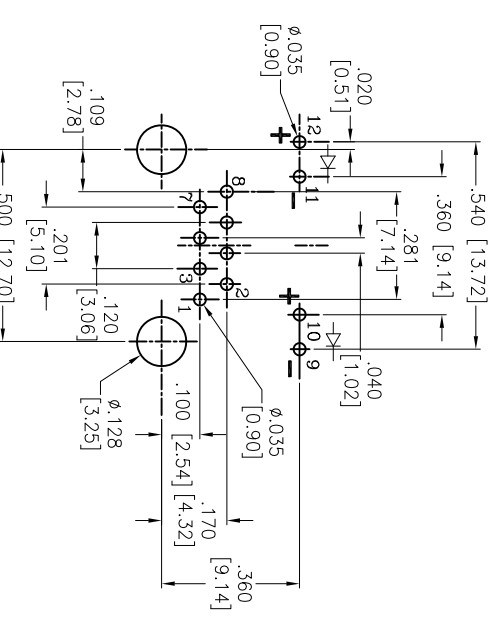
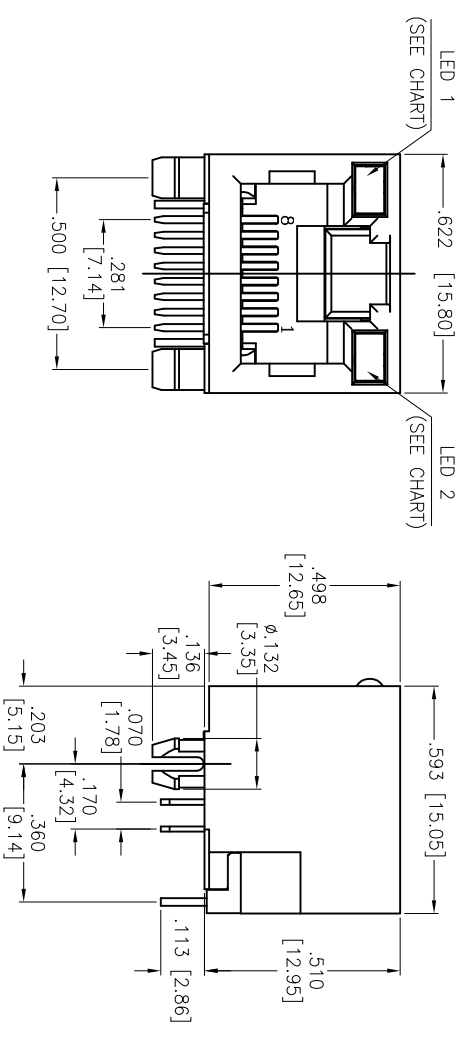


Rev	AWO #	Description	Date	Appr
C		UPDATED SPEC.	8/3/16	AV/NP

APPROVED: _____ TITLE: _____

DATE: _____



RECOMMENDED PCB LAYOUT

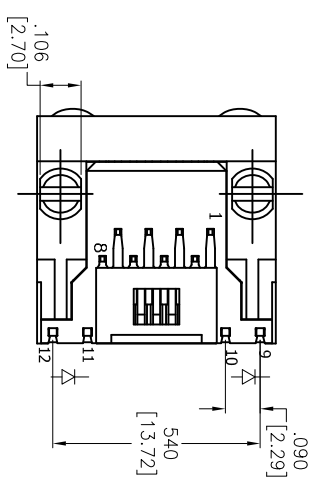
Part Number	LED 1 Color	LED 2 Color
MTJ-88ARX1-LD	Green	Green
MTJ-88ARX1-LG	Yellow	Green
MTJ-88ARX1-LH	Green	Yellow
MTJ-88ARX1-LP	Yellow/Green	Yellow/Green
MTJ-88ARX1-LV	Green	Yellow/Green
MTJ-88ARX1-L16	Green/Yellow	Green/Yellow

SPECIFICATIONS:

Material:
 Insulator: PBT, glass reinforced, rated UL 94V-0
 Insulator color: Black
 Contacts: Phosphor Bronze
 Contact's Plating:
 Round contact
 Gold over Nickel underplate overall
 Flat contact
 Gold over Nickel underplate on contact area,
 Tin over Nickel underplate on solder tails
 (See chart for thickness)

Electrical:
 Voltage rating: 150 VAC rms
 Current rating: 1.5 Amp
 Contact Resistance: 20 mohms max
 Insulation resistance: 1000 Mohms min @ 500 VDC
 Dielectric withstanding voltage:
 Contact to Contact: 1,000 VDC or AC Peak for 1 minute
 Contact to Screen and Test panel: 1,500 VDC or AC Peak for 1 minute

Temperature Rating:
 Operating temperature: -40°C to +85°C
 Environmental:
 Lead free, RoHS compliant.



TITLE
 MODULAR TELEPHONE JACK, 8P8C
 RIGHT ANGLE, WITH LEDS

UNLESS OTHERWISE SPECIFIED ALL DIMENSIONS ARE INCHES [MM] TOLERANCES: EXCEPT AS NOTED		INCHES		HOLE SIZES	
.X	± .10	Ø.X	± .10		
.XX	± .020	Ø.XXX	± .015		
.XXX	± .015	Ø.XXX	± .010		
APPROVALS		DATE			
DRAWN	SS	5/2/05			
CHECKED					
APPROVED					
SIZE		PART NO.		REV.	
X		MTJ-88ARX1-LX		C	
REF: S0003C		SCALE: NTS		SHEET 1 OF 1	

