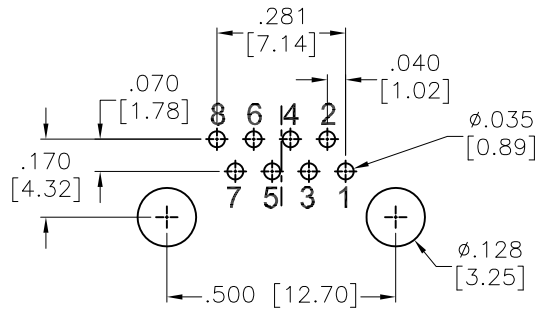
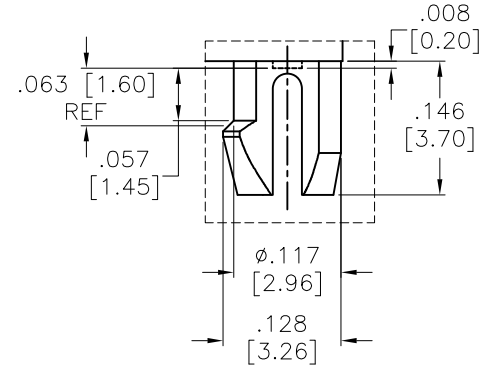
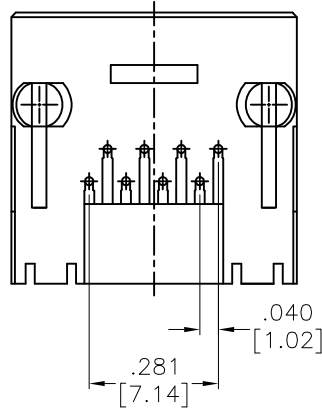
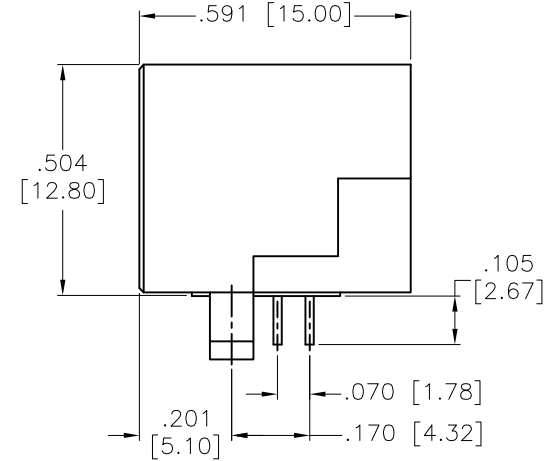
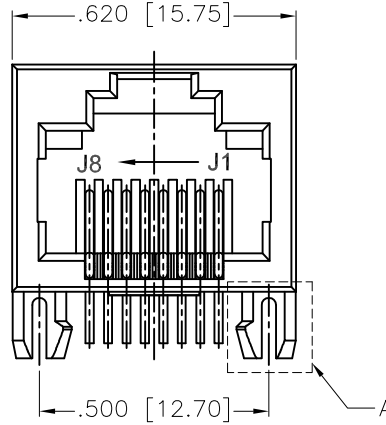


APPROVED: _____
 DATE: _____ TITLE: _____

Rev	AWO #	Description	Date	Appr
-		RELEASED	6/01/09	
A		REDRAWN	10/22/13	AY/GC
B		PD-20161121-PCN-01(MTJ-88ARX1-HT)	11/21/16	HR/AY1
C		UPDATE DRAWING	2/26/19	AY/DH



RECOMMENDED PCB LAYOUT



DETAIL A
SCALE 2:1

SPECIFICATIONS:

Material:
 Insulator: (PA46) Hi-temp thermoplastic, rated UL 94V-0
 Insulator color: Black
 Contacts: Copper Alloy
 Plating:
 Round contact
 Gold over Nickel underplate overall
 Flat contact
 Gold over Nickel underplate on contact area,
 Tin over Copper underplate on solder tails
 Electrical:
 Voltage rating: 125 VAC max
 Current rating: 1.5 Amp
 Contact resistance: 30 mohms max
 Insulation resistance: 500 Mohms min @ 500 VDC
 Dielectric withstanding voltage: 1,000 VAC RMS for 1 minute
 Temperature Rating:
 Operating temperature: -40°C to +85°C
 Environmental:
 Lead free, RoHS compliant.



UNLESS OTHERWISE SPECIFIED
 ALL DIMENSIONS ARE INCHES [MM]
 TOLERANCES: EXCEPT AS NOTED
 INCHES HOLES
 .X ± .10 Ø.X ± .10
 .XX ± .020 Ø.XX ± .015
 .XXX ± .015 Ø.XXX ± .010



APPROVALS		DATE
DRAWN	DY	6/01/09
CHECKED		
APPROVED		

TITLE MODULAR TELEPHONE JACK, 8P8C RIGHT ANGLE		
SIZE X	PART NO. MTJ-88ARX1-HT	REV. C
REF: S00131C-1	SCALE: NTS	SHEET 1 OF 1