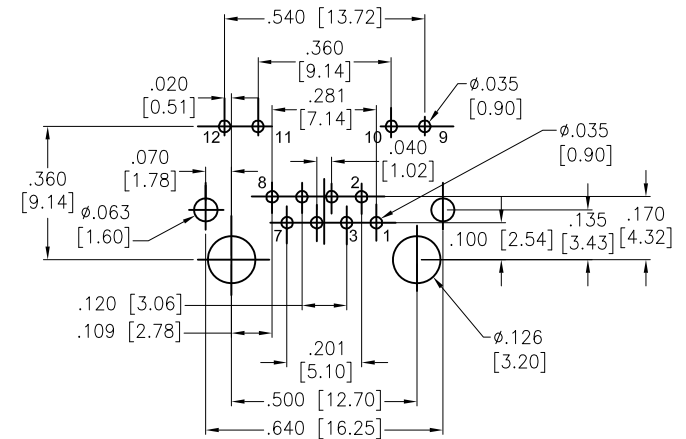
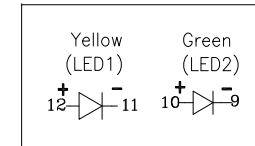
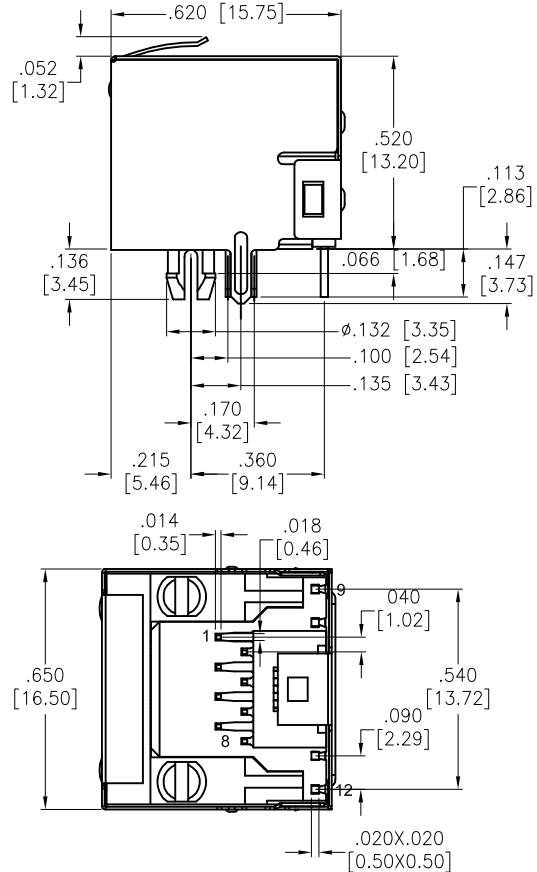
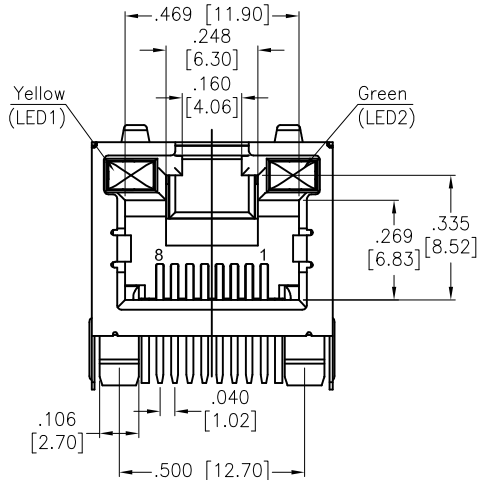


APPROVED: _____
 DATE: _____ TITLE: _____

Rev	AWO #	Description	Date	Appr
-		RELEASED	2/17/12	
A		UPDATE DRAWING	3/13/19	AY/RC1



RECOMMENDED PCB LAYOUT

B SPECIFICATIONS:

Material:
 Insulator: (Nylon 46) Hi-Temp Thermoplastic, rated UL 94V-0
 Insulator color: Black
 Contacts: Phosphor Bronze
 Shield: Brass, Nickel plated
 Contacts Plating:
 Round contact
 Gold over Nickel underplate overall
 Flat contact
 Gold over Nickel underplate on contact area,
 Tin over Nickel underplate on solder tails
Electrical:
 Operating voltage: 150 VAC max
 Current rating: 1.5 Amps max
 Contact resistance: 20 mohms max
 Insulation resistance: 1,000 Mohms min @ 500 VDC
 Dielectric withstanding voltage: 1,000 VAC for 1 minute (contact to contact)
 1,500 VAC for 1 minute (contact to screen and test panel)

Temperature Rating:

Operating temperature: -40°C to +85°C
 Environmental:
 Lead free, RoHS compliant.



UNLESS OTHERWISE SPECIFIED
 ALL DIMENSIONS ARE INCHES [MM]
 TOLERANCES: EXCEPT AS NOTED
 INCHES HOLES
 .X ± .10 Ø.X ± .10
 .XX ± .020 Ø.XX ± .015
 .XXX ± .015 Ø.XXX ± .010



TITLE
 MODULAR TELEPHONE JACK, W/ TOP PANEL
 GROUNDS, LED1 YELLOW / LED2 GREEN

APPROVALS		DATE
DRAWN	AY	2/17/12
CHECKED	LW	2/17/12
APPROVED		

SIZE	PART NO.	REV.
X	MTJ-88ARX1-FSM-PG2T-LG-HT	A
REF: S00005C	SCALE: NTS	SHEET 1 OF 1