

6

5

4

3

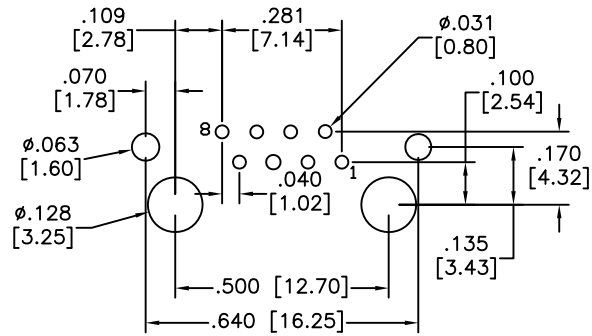
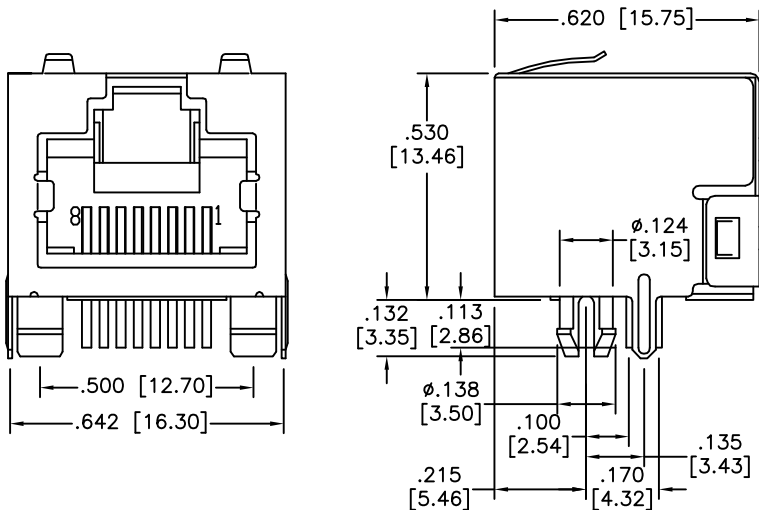
2

1

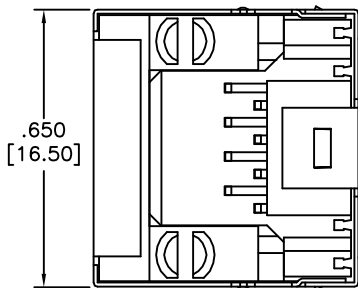
APPROVED: _____

DATE: _____ TITLE: _____

Rev	AWO #	Description	Date	Appr
-		RELEASED	5/17/13	



RECOMMENDED PCB LAYOUT



SPECIFICATIONS:

Material:

Insulator: Hi-temp thermoplastic, rated UL 94V-0

Insulator color: Black

Contacts: Phosphor Bronze

Shield: Brass, Nickel plated

Plating:

Gold over Nickel underplate on contact area (See chart for thickness),
Tin over copper underplate on soldier tails.

Electrical:

Operating voltage: 125 VAC max

Current rating: 1.5 Amps max

Contact resistance: 20 mohms max. initial

Insulation resistance: 1000 Mohms min @ 500 VDC

Dielectric withstanding voltage: 1,000 VAC for 1 minute

Temperature Rating:

Operating temperature: -40°C to +85°C

Environmental:

Lead free, RoHS compliant.



X	PLATING
0	15 uin Gold
1	30 uin Gold
2	50 uin Gold

UNLESS OTHERWISE SPECIFIED
ALL DIMENSIONS ARE INCHES [MM]
TOLERANCES: EXCEPT AS NOTED
INCHES HOLES

.X	± .10 [2.54]	Ø.X	± .10 [2.54]
.XX	± .020 [.51]	Ø.XX	± .015 [.38]
.XXX	± .015 [.38]	Ø.XXX	± .010 [.25]



TITLE
MODULAR TELEPHONE JACK, R/A
W/ PANEL GROUNDS TOP X2

APPROVALS		DATE
DRAWN	AY	5/17/13
CHECKED	GC	5/17/13
APPROVED		

SIZE	PART NO.	REV.
X	MTJ-88ARX1-FSM-PG2T-HT	-
REF:	S00005C	SCALE: NTS
		SHEET 1 OF 1

6

5

4

3

2

1