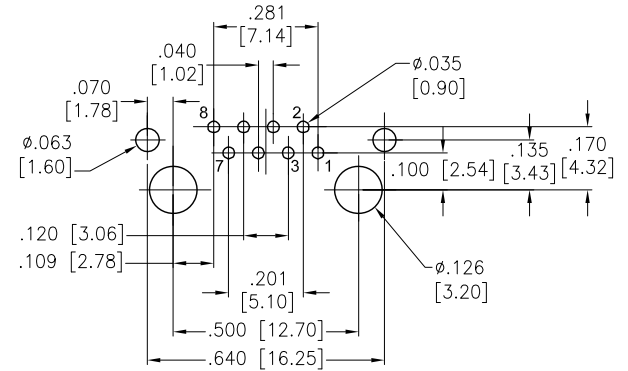
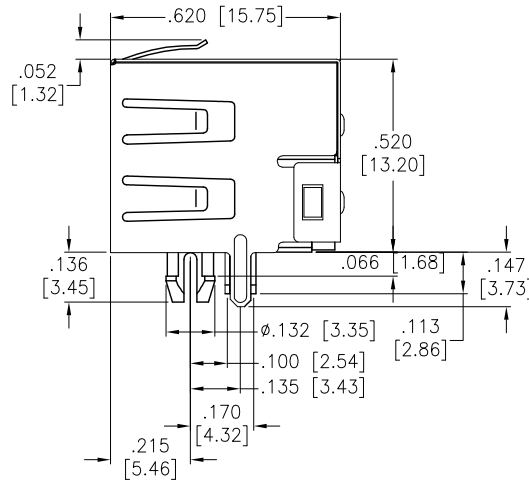
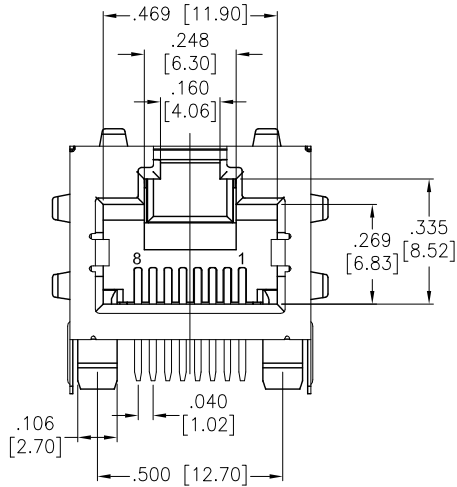
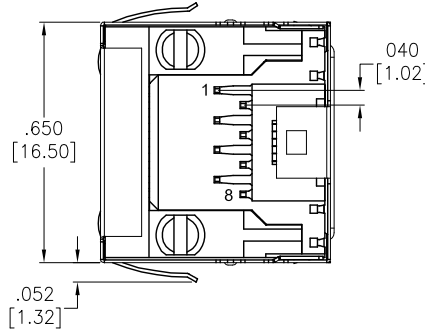


APPROVED: _____
 DATE: _____ TITLE: _____

Rev	AWO #	Description	Date	Appr
-		RELEASED	8/26/15	
A		UPDATED SPEC.	1/15/16	HR/LW
B		UPDATED SPEC.	6/17/16	AY/CH



RECOMMENDED PCB LAYOUT



SPECIFICATIONS:

Material:
 Insulator: PBT, glass reinforced, rated UL 94V-0
 Insulator color: Yellow, P114C follow Pantone color
 Contacts: Phosphor Bronze
 Shield: Brass, Nickel plated
 Contacts Plating:
 Round contact
 Gold over Nickel underplate overall
 Flat contact
 Gold over Nickel underplate on contact area,
 Tin over Nickel underplate on solder tails
 (See chart for thickness)

Electrical:
 Voltage rating: 150 VAC rms
 Current rating: 1.5 Amps max
 Contact resistance: 20 mohms max. initial
 Insulation resistance: 1000 Mohms min @ 500 VDC
 Dielectric withstanding voltage:
 Contact to Contact: 1,000 VDC or AC Peak for 1 minute
 Contact to Screen and Test panel: 1,500 VDC or AC Peak for 1 minute

Temperature Rating:
 Operating temperature: -40°C to +85°C

Environmental:
 Lead free, RoHS compliant.



X	PLATING
0	15 µin Gold
1	30 µin Gold
2	50 µin Gold
6	6 µin Gold

UNLESS OTHERWISE SPECIFIED
 ALL DIMENSIONS ARE MM [INCHES]
 TOLERANCES: EXCEPT AS NOTED

INCHES		HOLES	
.X	± .10 [2.54]	∅.X	± .10 [2.54]
.XX	± .020 [.51]	∅.XX	± .015 [.38]
.XXX	± .015 [.38]	∅.XXX	± .010 [.25]

APPROVALS		DATE
DRAWN	AY	8/26/15
CHECKED	AC	8/26/15
APPROVED		



TITLE MODULAR TELEPHONE JACK, R/A W/ PANEL GROUNDS			
SIZE X	PART NO. MTJ-88ARX1-FSM-PG-P114C	REV. B	
REF: S00005C	SCALE: NTS	SHEET 1 OF 1	