

6

5

4

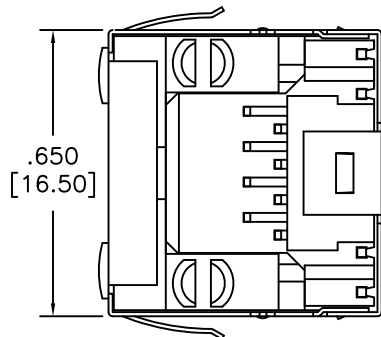
3

2

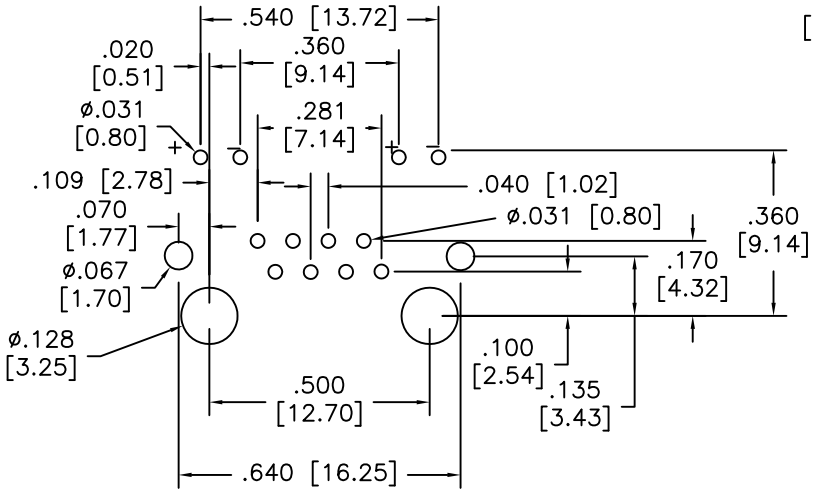
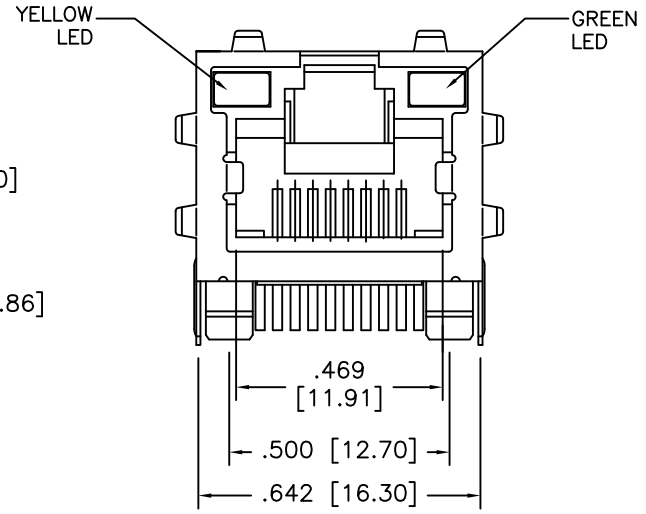
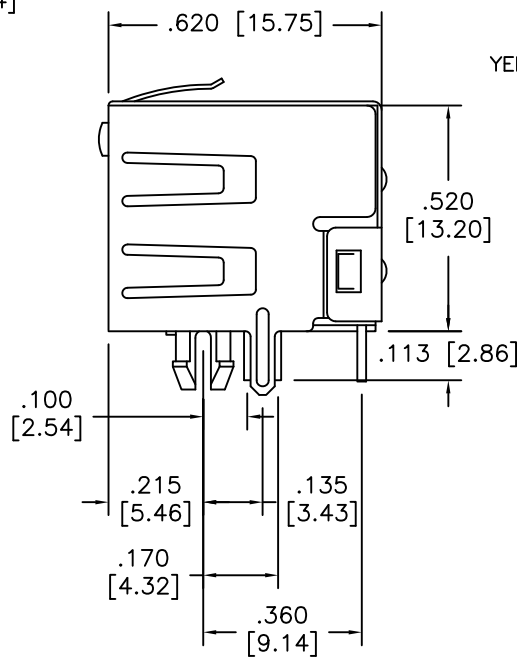
1

APPROVED: _____
DATE: _____ TITLE: _____

Rev	AWO #	Description	Date	Appr
-		RELEASED	12/4/07	
A		REVISED DIM.	3/22/10	



X	PLATING
0	15 µin Gold
1	30 µin Gold
2	50 µin Gold



RECOMMENDED PCB LAYOUT

SPECIFICATIONS:

Material:
Insulator: PBT, glass reinforced, rated UL 94V-0
Insulator color: Black
Contacts: Phosphor Bronze


Plating:
Gold flash over Nickel underplate on contact area,
Tin over copper underplate on solder tails.
(See chart for thickness)

Electrical:
Operating voltage: 125 VAC max
Current rating: 1.5 Amps max
Contact resistance: 45 mohms max. initial
Insulation resistance: 1000 Mohms min
Dielectric withstanding voltage: 1,000 VAC for 1 minute

Temperature Rating:
Operating temperature: -40°C to +85°C
Environmental:
Lead free, RoHS compliant.



UNLESS OTHERWISE SPECIFIED ALL DIMENSIONS ARE MM [INCHES] TOLERANCES: EXCEPT AS NOTED			
INCHES		HOLES	
.X	± .10	ØX	± .10
.XX	± .020	ØXX	± .015
.XXX	± .015	ØXXX	± .010
APPROVALS		DATE	
DRAWN	SHIREN	12/4/07	
CHECKED			
APPROVED			



TITLE: MODULAR TELEPHONE JACK, R/A
W/ PANEL GROUNDS, LED'S YEL/GRN

SIZE X	PART NO. MTJ-88ARX1-FSM-PG-LG	REV. A
REF: S00065T	SCALE: NTS	SHEET 1 OF 1

6

5

4

3

2

1