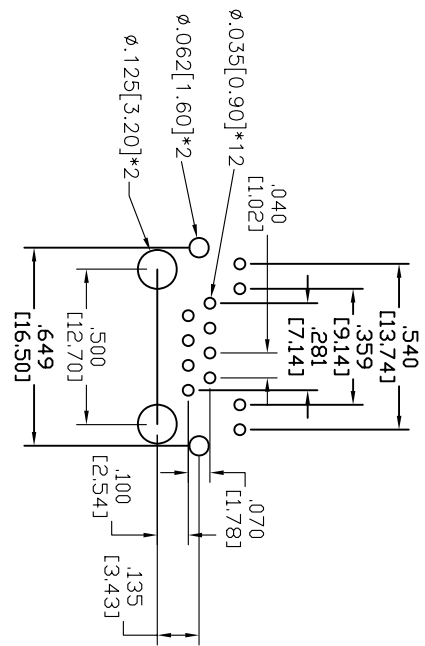
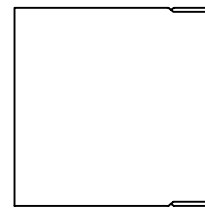


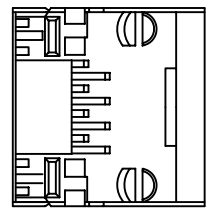
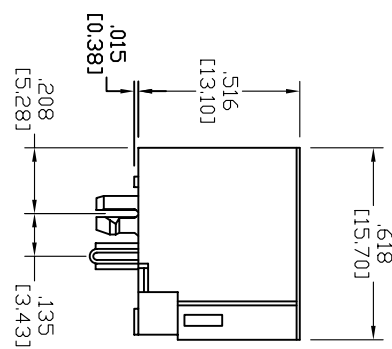
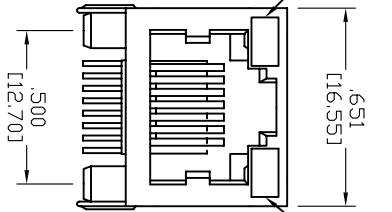
Rev	AWO #	Description	Date	Appr
-		RELEASED	8/4/06	

APPROVED: \_\_\_\_\_

DATE: \_\_\_\_\_ TITLE: \_\_\_\_\_



RECOMMENDED P.C.B LAYOUT



X	PLATING
0	15 min Gold
1	30 min Gold
2	50 min Gold

**SPECIFICATIONS:**

**Material:**  
 Insulator: PBT, glass reinforced, rated UL 94V-0  
 Insulator color: Black  
 Contacts: Phosphor Bronze

**Plating:**  
 Gold flash over Nickel underplate on contact area,  
 Tin over copper underplate on solder tails.  
 See chart for thickness

**Electrical:**  
 Operating voltage: 150 VAC max  
 Current rating: 1.5 Amps max  
 Contact resistance: 20mohms max. initial  
 Insulation resistance: 500 Mohms min  
 Dielectric withstanding voltage: 1,000 VAC for 1 minute

**Temperature Rating:**  
 Operating temperature: -40°C to +125°C

**Environmental:**  
 Lead free, RoHS compliant.  
 Recommended soldering temp: 235°C for 5 sec.



UNLESS OTHERWISE SPECIFIED  
 ALL DIMENSIONS ARE INCHES [MM]  
 TOLERANCES: EXCEPT AS NOTED

.X	± .10	Ø.X	± .10
.XX	± .020	Ø.XXX	± .015
.XXX	± .015	Ø.XXXX	± .010

APPROVALS

DRAWN	SLS	DATE
CHECKED		
APPROVED		

**MODULAR TELEPHONE JACK, R/A LEDS**

TITLE	SIZE	PART NO.	REV.
MODULAR TELEPHONE JACK, R/A LEDS	X	MTJ-88ARX1-FSM-LD	-
REF:	SCALE:	NTS	SHEET 1 OF 1