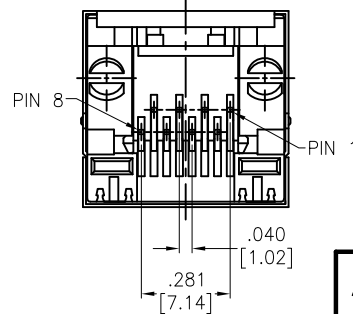
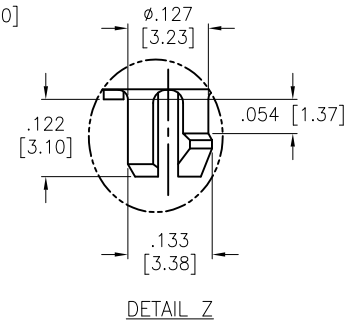
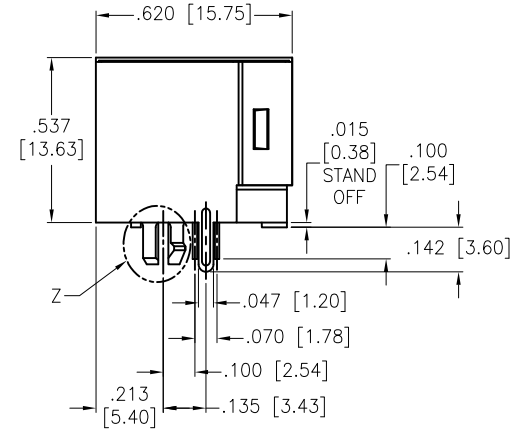
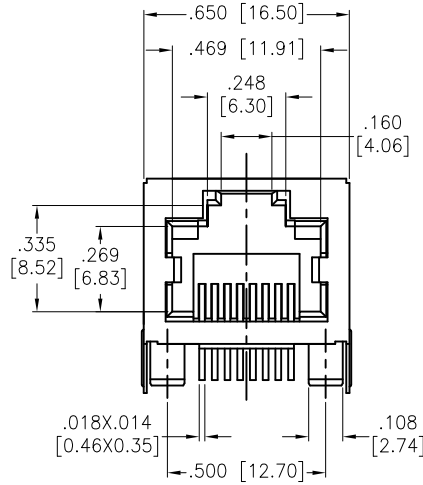
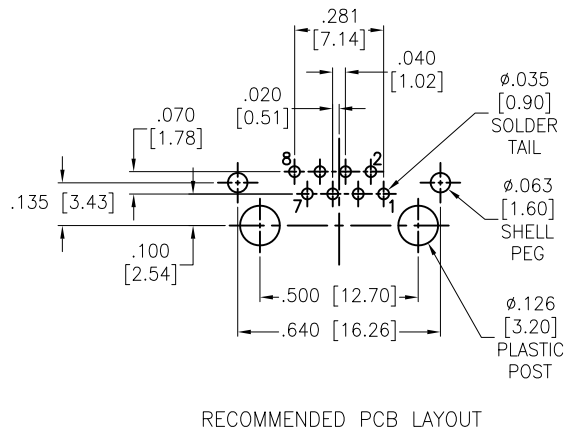
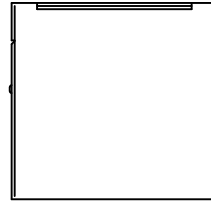


APPROVED: _____
 DATE: _____ TITLE: _____

Rev	AWO #	Description	Date	Appr
-		RELEASED	6/30/11	
A		UPDATE SPEC.	12/14/18	AY/RC1
B		UPDATE DRAWING	7/30/21	WX/KL



SPECIFICATIONS:

Material:
 Insulator: (Nylon46) Hi-temp thermoplastic, rated UL 94V-0
 Insulator color: Black
 Contacts: Phosphor Bronze
 Shield: Brass, Nickel plated
 Plating:

Gold over Nickel underplate on contact area
 Gold flash over Nickel underplate on solder tails

Electrical:

Operating voltage: 150 VAC max
 Current rating: 1.5 A max
 Contact resistance: 20 mohms max.
 Insulation resistance: 500 Mohms min @ 500 VDC
 Dielectric withstanding voltage: 1,500 Vrms for 1 minute

Temperature Rating:

Operating temperature: -40°C to +85°C

Environmental:

Lead free, RoHS compliant.



UNLESS OTHERWISE SPECIFIED ALL DIMENSIONS ARE INCHES [MM]. TOLERANCES: EXCEPT AS NOTED

INCHES	HOLES
.X ± .10	ØX ± .10
.XX ± .020	ØXX ± .015
.XXX ± .015	ØXXX ± .010

DRAWN	AY	6/30/11
CHECKED	AH	6/30/11
APPROVED		

THIS DRAWING CONTAINS INFORMATION THAT IS PROPRIETARY AND SHOULD NOT BE USED WITHOUT PRIOR WRITTEN PERMISSION FROM ADAM TECH



TITLE			MODULAR TELEPHONE JACK, R/A, 8P8C		
SIZE	PART NO.	REV.			
X	MTJ-88ARX1-FSM-HT	B			
REF:	S00065T	SCALE:	NTS	SHEET	1 OF 1