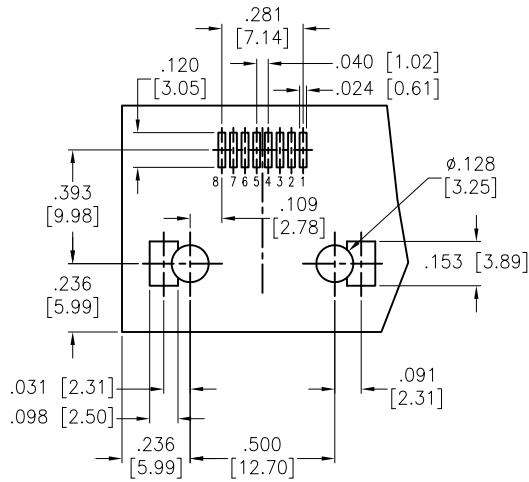
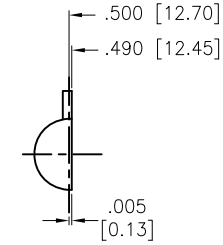
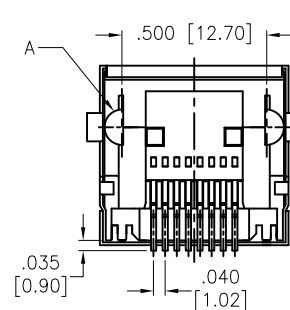
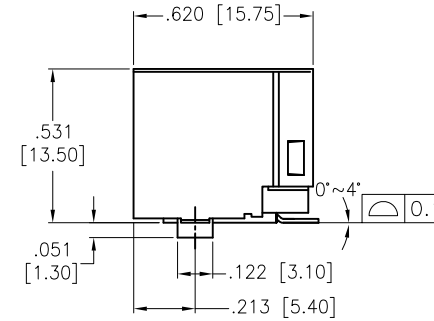
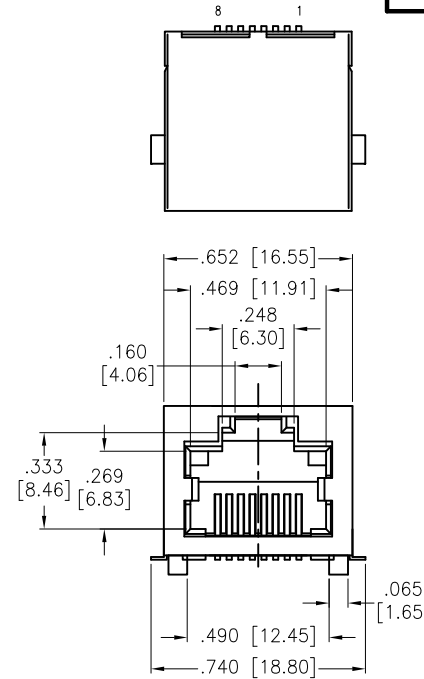


APPROVED: _____
 DATE: _____ TITLE: _____

Rev	AWO #	Description	Date	Appr
-		RELEASED	2/4/15	
A		ADDED DIM.	6/24/15	AY/SC
B		UPDATE SPEC.	7/13/16	AY/MW



RECOMMENDED PCB LAYOUT



DETAIL A

B SPECIFICATIONS:
 Material:
 Insulator: Hi-Temp Thermoplastic, rated UL 94V-0
 Insulator color: Black
 Contacts: Phosphor Bronze
 Shield: Copper Alloy, Nickel plated
 Contacts Plating:
 Round contact
 Gold over Nickel underplate overall
 Flat contact
 Gold over Nickel underplate on contact area,
 Tin over Nickel underplate on solder tails
 (See chart for thickness)
 Electrical:
 Voltage rating: 150 VAC max
 Current rating: 1.5 A max
 Contact Resistance: 20 mohms max
 Insulation resistance: 500 Mohms min @ 500 VDC
 Dielectric withstanding voltage: 1,500 Vrms for 1 minute
 Temperature Rating:
 Operating temperature: -40°C to +85°C
 Environmental:
 Lead free, RoHS compliant.



PACKAGED ON TAPE & REEL

UNLESS OTHERWISE SPECIFIED ALL DIMENSIONS ARE INCHES [MM] TOLERANCES: EXCEPT AS NOTED			
INCHES HOLES			
.X ± .10	Ø.X ± .10	TITLE MODULAR TELEPHONE JACK, 8P8C SHIELDED, SMT TYPE, SIDE ENTRY	
.XX ± .020	Ø.XX ± .015	APPROVALS	DATE
.XXX ± .015	Ø.XXX ± .010	DRAWN	AY 2/4/15
		CHECKED	GC 2/4/15
		APPROVED	
SIZE X	PART NO. MTJ-88ARX1-FS-SMT-T/R	REV. B	
REF: S00065T	SCALE: NTS	SHEET 1 OF 1	

6

5

4

3

2

1

6

5

4

3

2

1