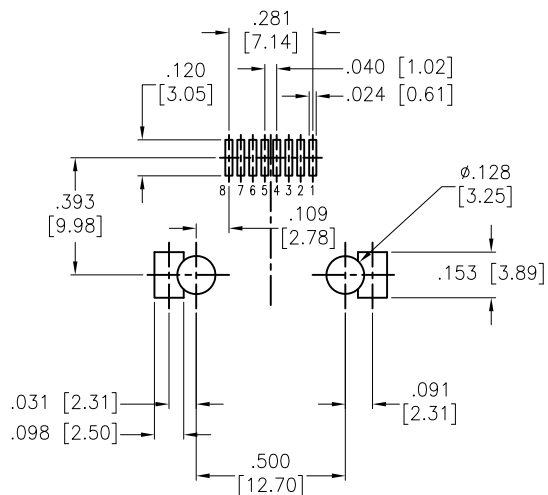


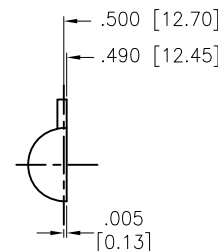
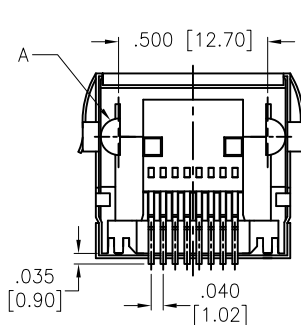
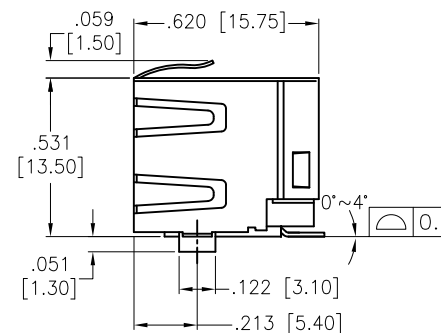
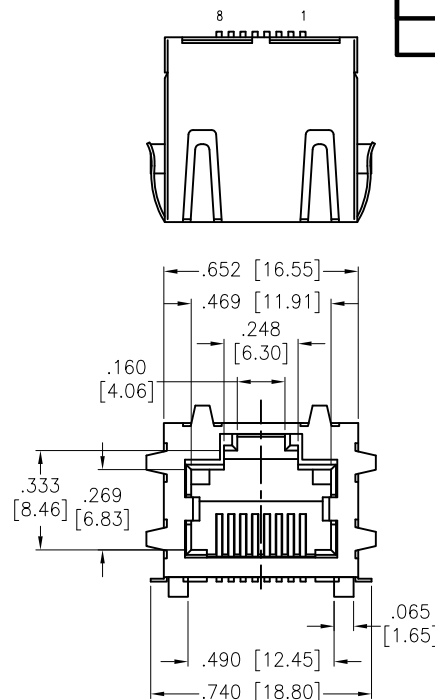
APPROVED: \_\_\_\_\_

DATE: \_\_\_\_\_ TITLE: \_\_\_\_\_

Rev	AWO #	Description	Date	Appr
-		RELEASED	10/28/09	
A		UPDATE SPEC.	7/13/16	AY/MW
B		UPDATE DRAWING	11/12/21	LH/NP
C		ADDED PACKING	1/17/24	LH/TW



RECOMMENDED PCB LAYOUT



DETAIL A

**SPECIFICATIONS:**

Material:  
Insulator: Hi-Temp Thermoplastic, rated UL 94V-0

Insulator color: Black

Contacts: Phosphor Bronze

Shield: Brass, Nickel plated

Contacts Plating:

Round contact

Gold over Nickel underplate overall

Flat contact

Gold over Nickel underplate on contact area,

Tin over Nickel underplate on solder tails

Electrical:

Voltage rating: 150 VAC max

Current rating: 1.5 A max

Contact Resistance: 20 mohms max

Insulation resistance: 500 Mohms min @ 500 VDC

Dielectric withstanding voltage: 1,500 Vrms for 1 minute

Temperature Rating:

Operating temperature: -40°C to +85°C

Environmental:

Lead free, RoHS compliant.



**PACKAGED ON TAPE & REEL**

UNLESS OTHERWISE SPECIFIED ALL DIMENSIONS ARE INCHES [MM]. TOLERANCES: EXCEPT AS NOTED

INCHES		HOLES	
.X	± .10	Ø.X	±.10
.XX	± .020	Ø.XX	±.015
.XXX	± .015	Ø.XXX	±.010

DRAWN	DY	10/28/09
CHECKED		
APPROVED		

THIS DRAWING CONTAINS INFORMATION THAT IS PROPRIETARY AND SHOULD NOT BE USED WITHOUT PRIOR WRITTEN PERMISSION FROM ADAM TECH



TITLE MODULAR TELEPHONE JACK, 8P8C SHIELDED, SMT TYPE, SIDE ENTRY		
SIZE X	PART NO. MTJ-88ARX1-FS-SMT-PG-T/R	REV. C
REF: S00065T	SCALE: NTS	SHEET 1 OF 2

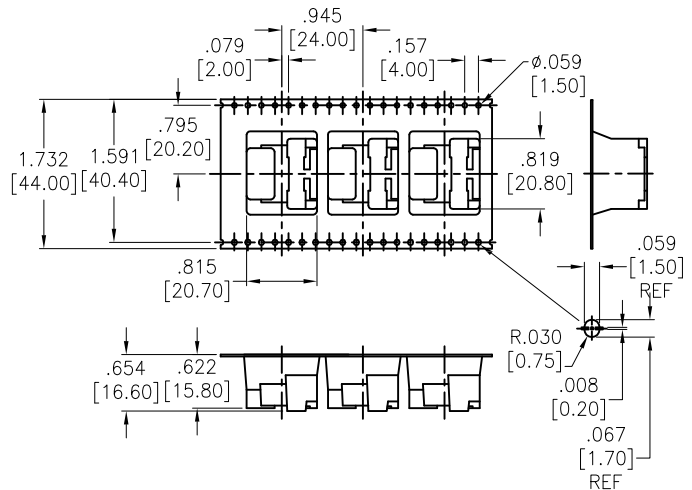
APPROVED: \_\_\_\_\_

DATE: \_\_\_\_\_ TITLE: \_\_\_\_\_

Rev	AWO #	Description	Date	Appr
SEE SHT 1 OF 2 FOR REVISION				

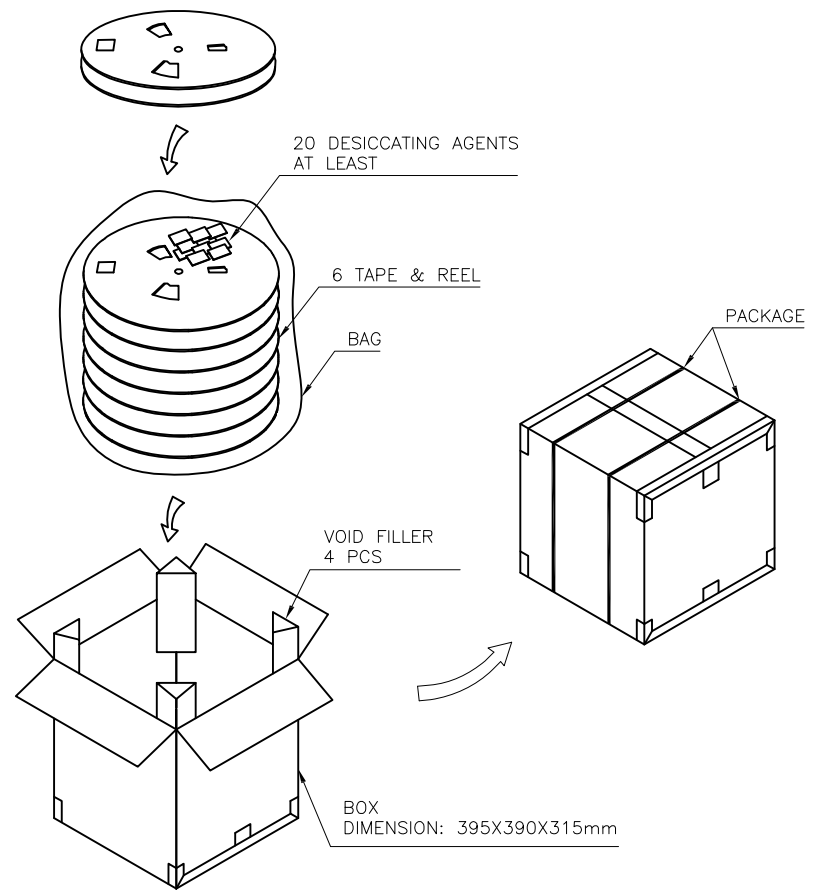
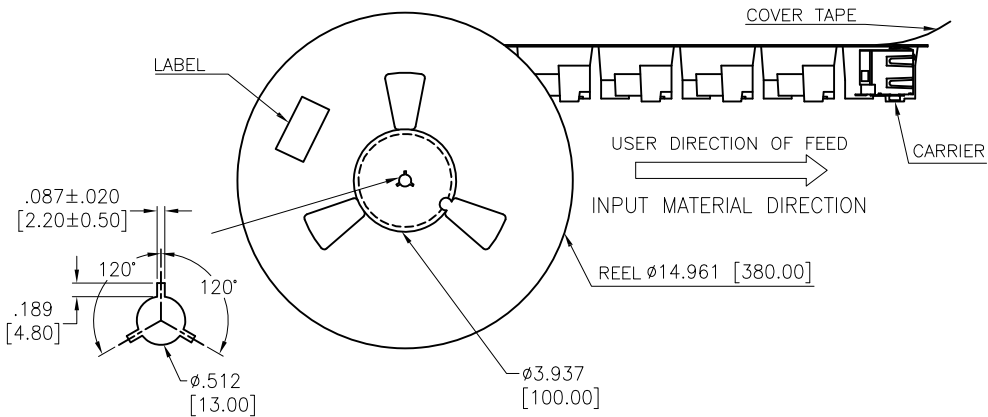
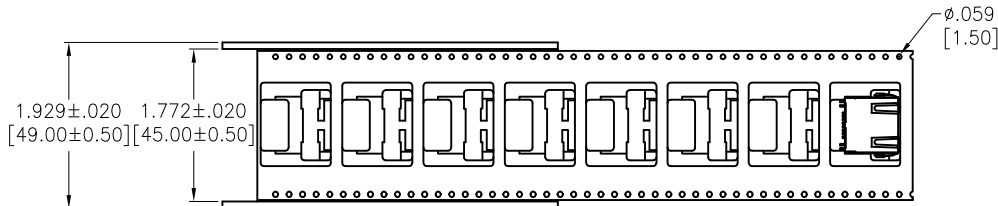
**MATERIALS:**

- 1.CARRIER-PS (0.50mm THICK TAPE).
- 2.REEL-2mmTHICK PLASTIC WHEEL.
- 3.COVER TAPE-PE (0.045mm~0.12mm THICK TAPE)



**NOTES:**

1. 10 EMPTY CAVITIES FOR BOTH OF TOP AND BOTTOM OF THE CARRIER.
2. 200 PCS PRODUCTS BE PACKAGED ON REEL.



- KG	- KG	1200	6	200
GROSS WEIGHT (REF.)	NET WEIGHT (REF.)	PCS/BOX	REELS/BOX	PCS/REEL

UNLESS OTHERWISE SPECIFIED ALL DIMENSIONS ARE INCHES [MM]. TOLERANCES: EXCEPT AS NOTED

INCHES		HOLES	
.X	± .10	Ø.X	±.10
.XX	± .020	Ø.XX	±.015
.XXX	± .015	Ø.XXX	±.010

DRAWN: DY 10/28/09

CHECKED: \_\_\_\_\_

APPROVED: \_\_\_\_\_

THIS DRAWING CONTAINS INFORMATION THAT IS PROPRIETARY AND SHOULD NOT BE USED WITHOUT PRIOR WRITTEN PERMISSION FROM ADAM TECH

**ADAM TECH** 909 Rahway Avenue, Union, NJ 07083  
Phone: 908-687-5000 Fax: 908-687-5710

TITLE: MODULAR TELEPHONE JACK, 8P8C SHIELDED, SMT TYPE, SIDE ENTRY

SIZE X	PART NO. MTJ-88ARX1-FS-SMT-PG-T/R	REV. C
REF: S00065T	SCALE: NTS	SHEET 2 OF 2