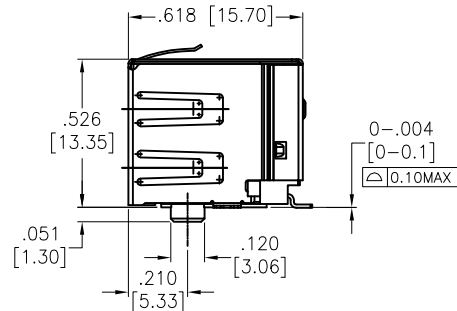
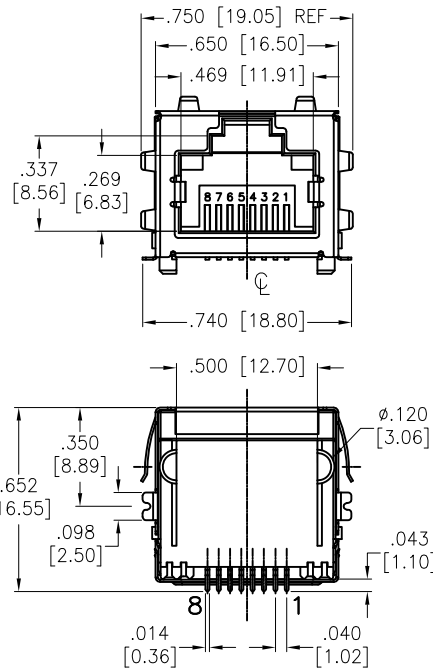
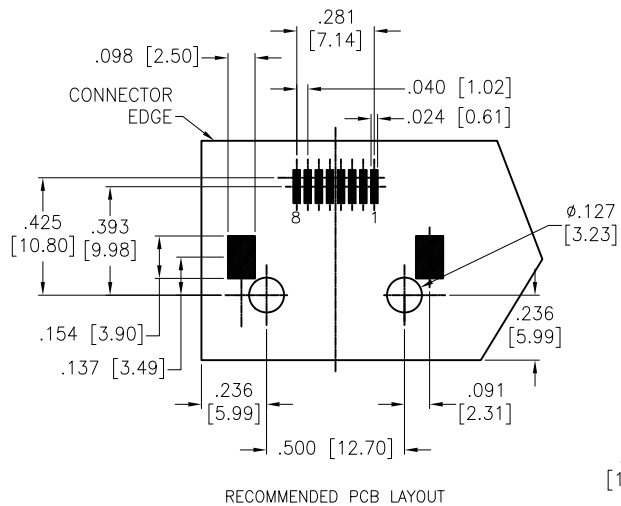


APPROVED: \_\_\_\_\_  
 DATE: \_\_\_\_\_ TITLE: \_\_\_\_\_

Rev	AWO #	Description	Date	Appr
-		RELEASED	11/1/19	



**SPECIFICATIONS:**

Material:  
 Insulator: Hi-Temp Thermoplastic, rated UL 94V-0  
 Insulator color: Black  
 Contacts: Phosphor Bronze  
 Shield: Brass  
 Contacts Plating:  
 Round contact  
 Gold over Nickel underplate overall  
 (See plating chart for gold thickness)  
 Flat contact  
 Gold over Nickel underplate on contact area,  
 Matte Tin over Nickel underplate on solder tails  
 (See plating chart for gold thickness)

Electrical:  
 Voltage rating: 125 VAC RMS  
 Current rating: 1.5 Amp  
 Contact Resistance: 20 mohms max  
 Insulation resistance: 1,000 Mohms min @ 500 VDC  
 Dielectric withstanding voltage: 1,000 VAC or 1,500 VDC @0.5mA 50HZ or 60HZ for 1 minute  
 Temperature Rating:  
 Operating temperature: -40°C to +85°C  
 Environmental:  
 Lead free, RoHS compliant.



Gold Plating	
Option	Thickness
X	Gold Flash
0	15 µin Gold
1	30 µin Gold
2	50 µin Gold
6	6 µin Gold

REPLACE "X" PART NUMBER WITH OPTION CODE

PACKAGED ON TAPE & REEL

UNLESS OTHERWISE SPECIFIED ALL DIMENSIONS ARE INCHES [MM] TOLERANCES: EXCEPT AS NOTED		
INCHES HOLES		
.X ±.10	Ø.X ±.10	
.XX ±.020	Ø.XX ±.015	
.XXX ±.015	Ø.XXX ±.010	
APPROVALS		DATE
DRAWN	AY	11/1/19
CHECKED	KC	11/1/19
APPROVED		



TITLE: MODULAR TELEPHONE JACK, 8P8C  
 SHIELDED, SMT TYPE

SIZE	PART NO.	REV.
X	MTJ-88ARX1-FS-SMT-PG-C1-T/R	-
REF: S00005C	SCALE: NTS	SHEET 1 OF 1