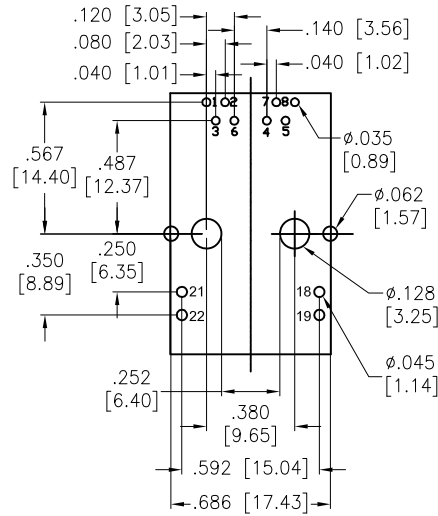
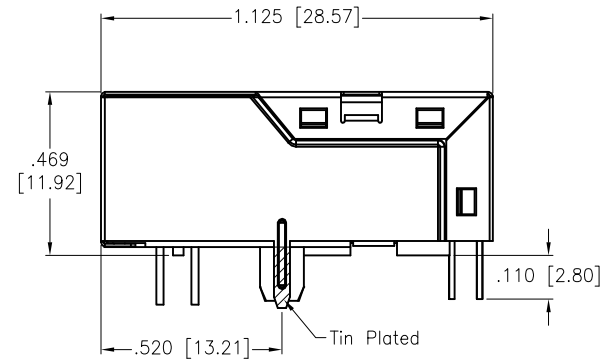
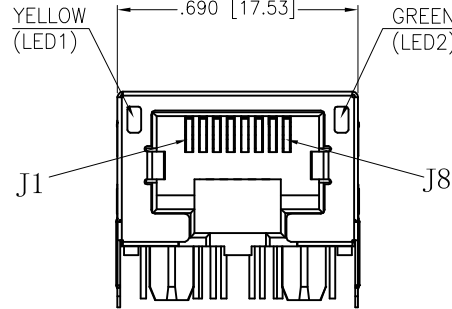


APPROVED: _____
 DATE: _____ TITLE: _____

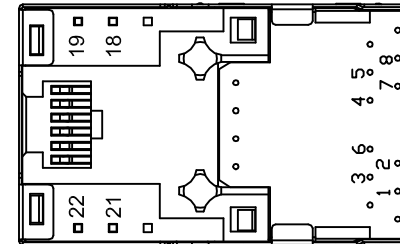
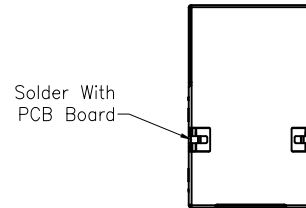
| Rev | AWO # | Description | Date | Appr |
|-----|-------|-------------------|----------|-------|
| - | | RELEASED | 11/15/19 | |
| A | | UPDATE PIN NUMBER | 11/28/19 | AY/IW |
| B | | ADDED DRAWING | 1/3/20 | LH/IW |
| C | | UPDATE DIM. | 4/27/20 | LH/IW |
| D | | UPDATE SPEC. | 5/5/20 | LH/IW |



RECOMMENDED PCB LAYOUT



Plug in Side



SPECIFICATIONS:

Material:
 Insulator: Thermoplastic, rated UL 94V-0
 Insulator color: Black
 Contacts: Phosphor Bronze
 Shield: Brass, Nickel plated
 Plating:
 Gold over Nickel underplate overall
 or
 Gold over Nickel underplate on contact area,
 Tin over Nickel underplate on solder tails
 Electrical:
 Voltage Rating: 150 VAC
 Contact Resistance: 20 mohms max.
 Insulation resistance: 500 Mohms min.
 Dielectric withstanding voltage: 500 VDC
 Temperature Rating:
 Operating temperature: -40°C to +85°C
 Environmental:
 Lead free, RoHS compliant.



UNLESS OTHERWISE SPECIFIED
 ALL DIMENSIONS ARE INCHES [MM]
 TOLERANCES: EXCEPT AS NOTED

| INCHES | | HOLES | |
|--------|--------|-------|--------|
| .X | ± .10 | ∅.X | ± .10 |
| .XX | ± .020 | ∅.XX | ± .015 |
| .XXX | ± .015 | ∅.XXX | ± .010 |

| APPROVALS | | DATE |
|-----------|----|----------|
| DRAWN | LH | 11/15/19 |
| CHECKED | IW | 11/15/19 |
| APPROVED | | |



| | | |
|---|--------------------------------------|--------------|
| TITLE MODULAR TELEPHONE JACK , 1 PORT, 8P, FULL SHIELD, W/ LED1 YELLOW , LED2 GREEN | | |
| SIZE X | PART NO. MTJ-88AGX1-FS-PG-VLG-WOT | REV. D |
| REF: S00005C | SCALE: NTS | SHEET 1 OF 2 |

6

5

4

3

2

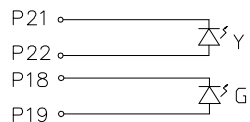
1

APPROVED: _____

DATE: _____ TITLE: _____

| | | | | |
|-----|-------|-------------|------|------|
| Rev | AWO # | Description | Date | Appr |
|-----|-------|-------------|------|------|

SEE SHT 1 OF 2 FOR REVISION



| Pin | Green | | Yellow |
|-----|-------|-----|--------|
| P18 | - | P21 | - |
| P19 | + | P22 | + |

UNLESS OTHERWISE SPECIFIED
 ALL DIMENSIONS ARE INCHES [MM]
 TOLERANCES: EXCEPT AS NOTED
 INCHES HOLES

| | |
|-------------|-------------|
| .X ± .10 | ∅X ± .10 |
| .XX ± .020 | ∅XX ± .015 |
| .XXX ± .015 | ∅XXX ± .010 |

ADAM
TECH
 INTERCONNECTS

909 Rahway Avenue,
 Union, NJ 07083
 Phone: 908-687-5000
 Fax: 908-687-5710

TITLE
 MODULAR TELEPHONE JACK , 1 PORT, 8P,
 FULL SHIELD, W/ LED1 YELLOW , LED2 GREEN

| APPROVALS | | DATE |
|-----------|----|----------|
| DRAWN | LH | 11/15/19 |
| CHECKED | IW | 11/15/19 |
| APPROVED | | |

| | | |
|--------------|--------------------------|--------------|
| SIZE | PART NO. | REV. |
| X | MTJ-88AGX1-FS-PG-VLG-WOT | D |
| REF: S00005C | SCALE: NTS | SHEET 2 OF 2 |

ELECTRICAL SPECIFICATIONS @ 25°C:

1. 0 DIELECTRIC WITHSTAND: (P1/P3/P5/P7) : (P2/P4/P6/P8) : 500VAC

2. 0 DC RESISTANCE: (P1~J1) : (P2~J2) : (P3~J3) : (P4~J4) : (P5~J5) : (P6~J6) : (P7~J7) : (P8~J8) : 1. 0 OHMS MAX

6

5

4

3

2

1