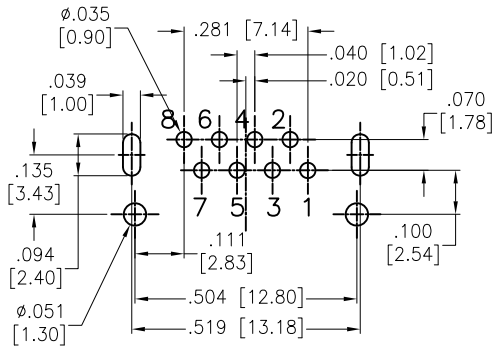
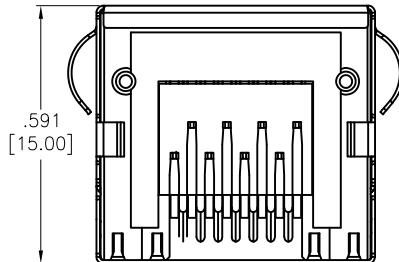
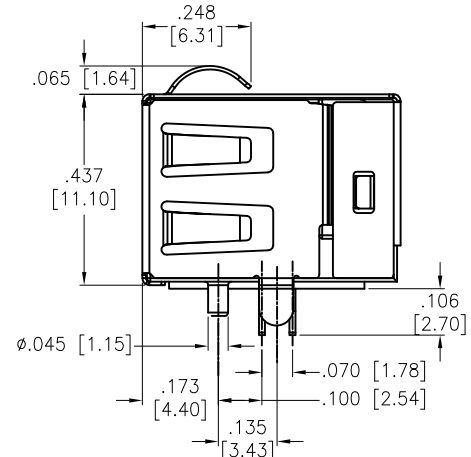
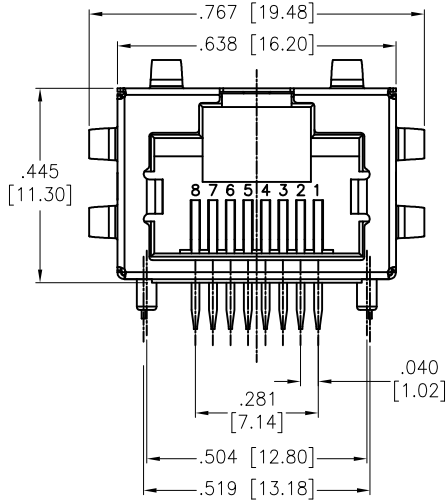


APPROVED: _____
 DATE: _____ TITLE: _____

Rev	AWO #	Description	Date	Appr
-		RELEASED	10/21/20	



RECOMMENDED PCB LAYOUT



SPECIFICATIONS:

Material:
 Insulator: Nylon46, Glass reinforced, rated UL 94V-0
 Insulator color: Black
 Contacts: Phosphor Bronze
 Shield: Copper Alloy, Nickel plated
 Contacts Plating:
 Round contact
 Gold over Nickel underplate overall
 Flat contact
 Gold over Nickel underplate on contact area
 Matte Tin over Nickel underplate on solder tails
 Electrical:
 Voltage rating: 125 VAC RMS
 Current rating: 1.5 Amp
 Contact Resistance: 20 mohms max
 Insulation resistance: 1,000 Mohms min @500VDC
 Dielectric withstanding voltage: 1000 VAC or 1500 VDC RMS for 1 minute
 Temperature Rating:
 Operating temperature: -40°C to +85°C
 Environmental:
 Lead free, RoHS compliant.



UNLESS OTHERWISE SPECIFIED ALL DIMENSIONS ARE INCHES [MM] TOLERANCES: EXCEPT AS NOTED		
INCHES		HOLES
.X ± .10	Ø.X ± .10	
.XX ± .020	Ø.XX ± .015	
.XXX ± .015	Ø.XXX ± .010	
APPROVALS		DATE
DRAWN	LH	10/21/20
CHECKED	DH	10/21/20
APPROVED		



TITLE MODULAR TELEPHONE JACK, 8P8C RIGHT ANGLE, FULL SHIELD		
SIZE X	PART NO. MTJ-88AAUX1-FSM-PG-NY46	REV. -
REF: S00005C	SCALE: NTS	SHEET 1 OF 1