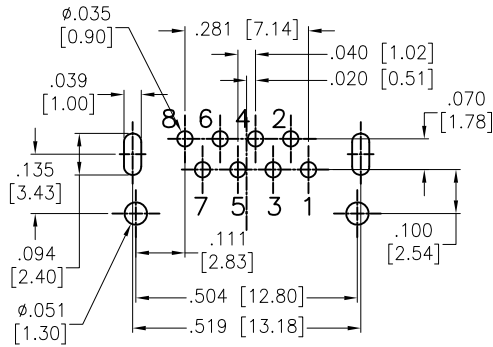


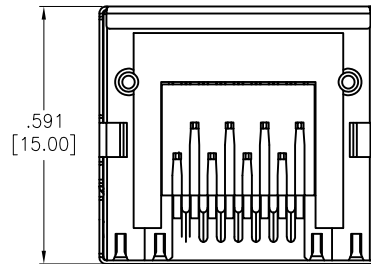
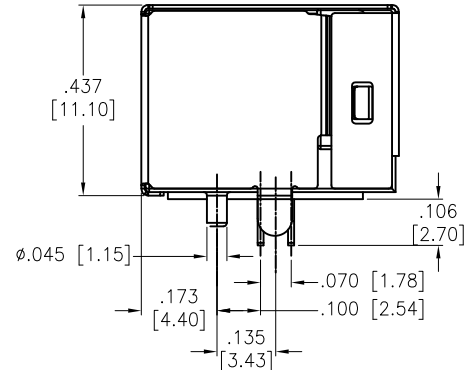
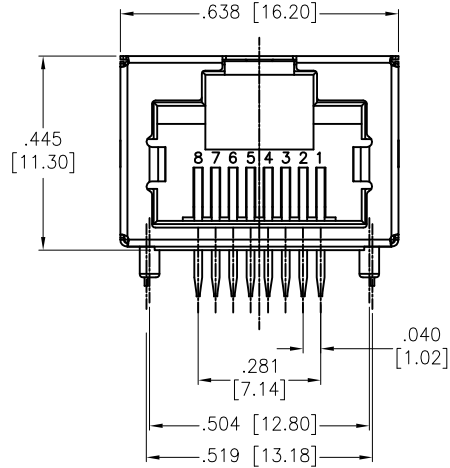
APPROVED: \_\_\_\_\_

DATE: \_\_\_\_\_ TITLE: \_\_\_\_\_

Rev	AWO #	Description	Date	Appr
-		RELEASED	6/4/21	



RECOMMENDED PCB LAYOUT



SPECIFICATIONS:

- Material:  
 Insulator: PA46, Glass reinforced, rated UL 94V-0  
 Insulator color: Black  
 Contacts: Copper alloy  
 Shield: Copper Alloy, Nickel plated  
 Contacts Plating:  
 Round contact  
 Gold over Nickel underplate overall  
 Flat contact  
 Gold over Nickel underplate on contact area  
 Matte Tin over Nickel underplate on solder tails  
 Electrical:  
 Voltage rating: 125 VAC RMS  
 Current rating: 1.5 Amp  
 Contact Resistance: 20 mohms max  
 Insulation resistance: 1,000 Mohms min @500VDC  
 Dielectric withstanding voltage: 1000 VAC or 1500 VDC RMS for 1 minute  
 Temperature Rating:  
 Operating temperature: -40°C to +85°C  
 Environmental:  
 Lead free, RoHS compliant.



UNLESS OTHERWISE SPECIFIED ALL DIMENSIONS ARE INCHES [MM]. TOLERANCES: EXCEPT AS NOTED

INCHES	HOLES
.X ± .10	ØX ± .10
.XX ± .020	ØXX ± .015
.XXX ± .015	ØXXX ± .010



DRAWN	JJ	6/4/21
CHECKED	LW	6/4/21
APPROVED		

TITLE	MODULAR TELEPHONE JACK, 8P8C RIGHT ANGLE, FULL SHIELD	
SIZE	PART NO.	REV.
X	MTJ-88AAUX1-FSM-NY46	-

THIS DRAWING CONTAINS INFORMATION THAT IS PROPRIETARY AND SHOULD NOT BE USED WITHOUT PRIOR WRITTEN PERMISSION FROM ADAM TECH

REF:	S00005C	SCALE:	NTS	SHEET	1 OF 1
------	---------	--------	-----	-------	--------