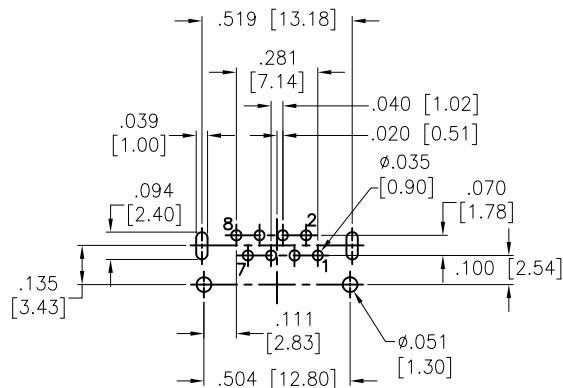


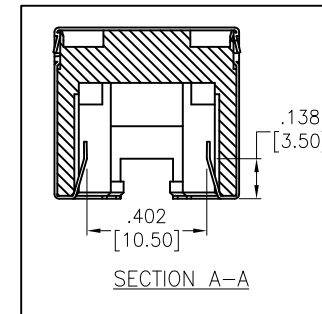
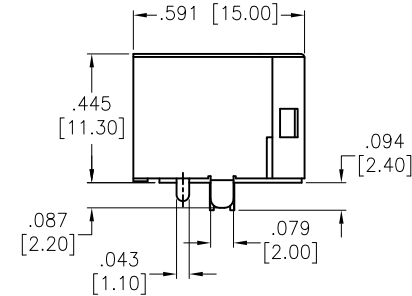
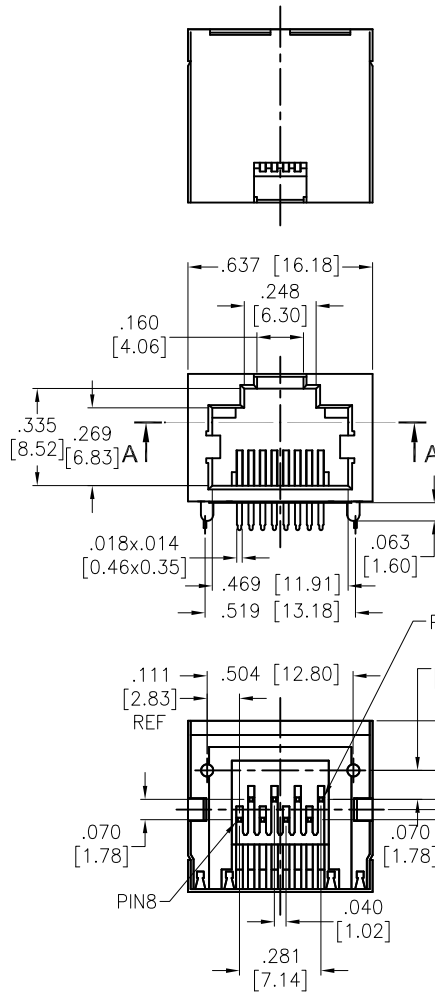
APPROVED: \_\_\_\_\_

DATE: \_\_\_\_\_ TITLE: \_\_\_\_\_

| Rev | AWO # | Description    | Date    | Appr  |
|-----|-------|----------------|---------|-------|
| -   |       | RELEASED       | 1/19/19 |       |
| A   |       | UPDATE DRAWING | 3/26/24 | WX/MC |



RECOMMENDED PCB LAYOUT



**SPECIFICATIONS:**

Material:  
Housing: Hi-Temp Thermiplastic, rated UL 94V-0  
Housing color: Black  
Insert Housing: Hi-Temp Thermiplastic, rated UL 94V-0, Color: Black  
Contacts: Phosphor Bronze  
Shield: Brass, Nickel plated  
Plating:  
Gold over Nickel underplate overall  
Electrical:  
Voltage Rating: 150 VAC max  
Current rating: 1.5 Amps max  
Contact Resistance: 20 mohms max.  
Insulation resistance: 500 Mohms min @500 VDC  
Dielectric withstanding voltage: 1500 Vrms for 1 minut  
Temperature Rating:  
Operating temperature: -40°C to +85°C  
Environmental:  
Lead free, RoHS compliant.



**PACKAGED ON TAPE & REEL**

|  |  |             |  |
|--|--|-------------|--|
| UNLESS OTHERWISE SPECIFIED ALL DIMENSIONS ARE INCHES [MM]. TOLERANCES: EXCEPT AS NOTED |  |             |  |
| INCHES   |  | HOLES       |  |
| X ± .10  |  | ØX ± .10    |  |
| .XX ± .020   |  | ØXX ± .015  |  |
| .XXX ± .015  |  | ØXXX ± .010 |  |



|  |    |         |
|--|----|---------|
| DRAWN  | AY | 1/19/19 |
| CHECKED  | LW | 1/19/19 |
| APPROVED   |    |         |
| THIS DRAWING CONTAINS INFORMATION THAT IS PROPRIETARY AND SHOULD NOT BE USED WITHOUT PRIOR WRITTEN PERMISSION FROM ADAM TECH |    |         |

|   |                                    |              |
|---|------------------------------------|--------------|
| TITLE<br>MODULAR TELEPHONE JACK, 8P8C<br>RIGHT ANGLE, FULL SHIELD |                                    |              |
| SIZE<br>X   | PART NO.<br>MTJ-88AAUX1-FSM-HT-T/R | REV.<br>A    |
| REF: S00065T  | SCALE: NTS                         | SHEET 1 OF 1 |