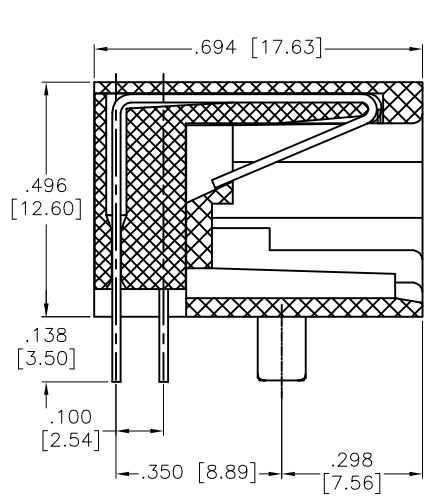
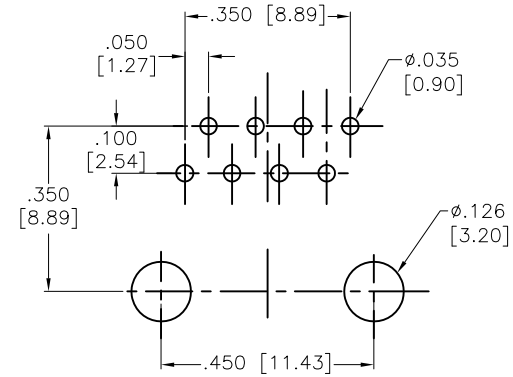
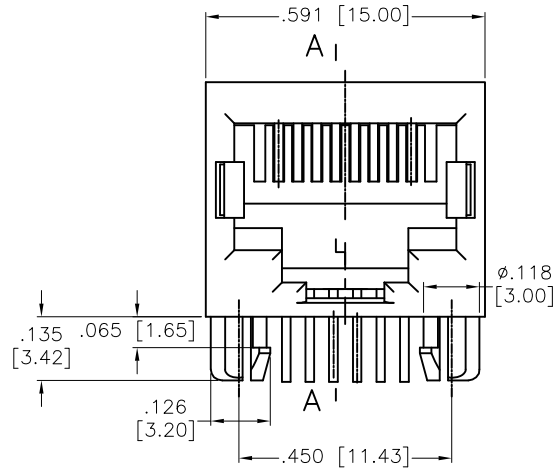


APPROVED: \_\_\_\_\_  
 DATE: \_\_\_\_\_ TITLE: \_\_\_\_\_

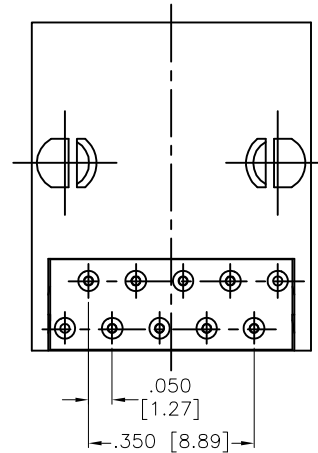
Rev	AWO #	Description	Date	Appr
-		RELEASED	10/4/04	
A		UPDATE DRAWING	1/6/17	AY/AT



SECTION A-A



RECOMMENDED P.C.B LAYOUT



**SPECIFICATIONS:**

**Material:**  
 Insulator: PBT, rated UL 94V-0  
 Insulator color: Black  
 Contacts: Phosphor Bronze  
 Contacts Plating:  
 Round contact  
 Gold over Nickel underplate overall  
 Flat contact  
 Gold over Nickel underplate on contact area,  
 Tin over Nickel underplate on solder tails  
 (See chart for thickness)

**Electrical:**  
 Voltage rating: 150 VAC rms  
 Current rating: 1.5 Amps  
 Contact resistance: 20 mohms max  
 Insulation resistance: 500 Mohms min @ 500 VDC  
 Withstanding voltage: 1,000 VDC/AC peak;  
 one Contact to all other Contact connected together  
 1500 VDC/AC peak;  
 all Contact connected together to Shield  
 (Housing/Mounting plated) if present  
 @0.5mA, 50Hz or 60Hz a minute

Temperature Rating:  
 Operating temperature: -40°C to +85°C  
 Environmental:  
 Lead free, RoHS Compliant



X	PLATING
0	15 µin Gold
1	30 µin Gold
2	50 µin Gold

UNLESS OTHERWISE SPECIFIED  
 ALL DIMENSIONS ARE INCHES [MM]  
 TOLERANCES: EXCEPT AS NOTED

.X	± .10	∅X	± .10
.XX	± .020	∅XX	± .015
.XXX	± .015	∅XXX	± .010



TITLE  
**MODULAR TELEPHONE JACK, 8P8C  
 RIGHT ANGLE, PCB**

APPROVALS		DATE
DRAWN	SS	10/4/04
CHECKED		
APPROVED		

SIZE	PART NO.	REV.
X	MTJ-889X1	A
REF: S00005C	SCALE: NTS	SHEET 1 OF 1