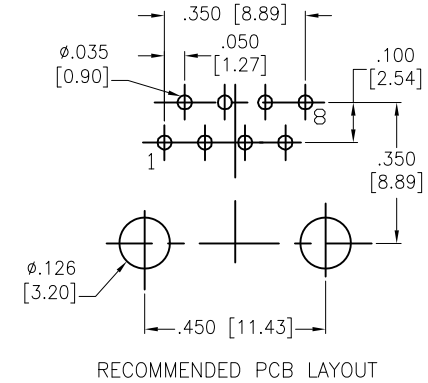
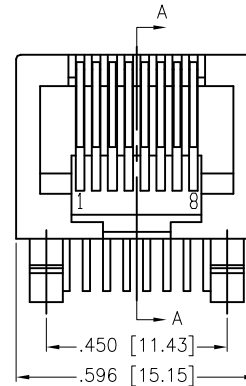
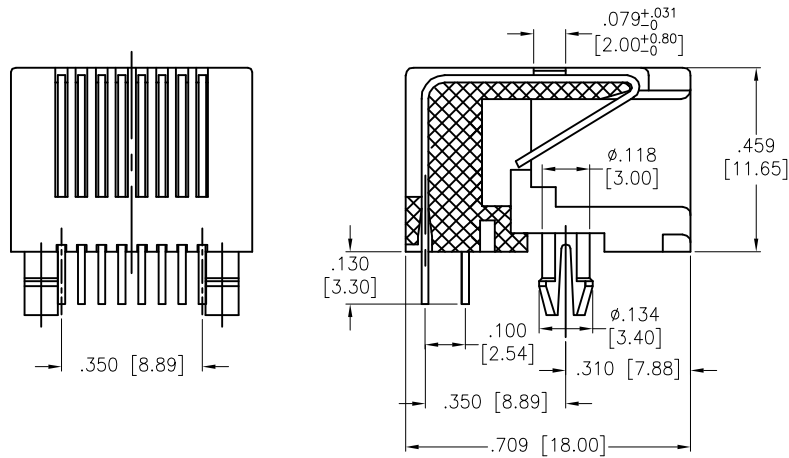


APPROVED: \_\_\_\_\_  
 DATE: \_\_\_\_\_ TITLE: \_\_\_\_\_

Rev	AWO #	Description	Date	Appr
-		RELEASED	5/25/07	
A		REVISED DIM.	2/05/10	
B		REDRAWN	3/5/14	HR/AC
C		UPDATED SPEC.	6/21/18	AY/TW
D		UPDATED SPEC.	12/5/18	AY/YC



**SPECIFICATIONS:**  
 Material:  
 Insulator: PBT, rated UL 94V-0  
 Insulator color: Black  
 Contacts: Phosphor Bronze  
 Plating:  
 Round contact  
 Gold over Nickel underplate overall  
 Flat contact  
 Gold over Nickel underplate on contact area,  
 Tin over Nickel underplate on solder tails  
 Electrical:  
 Voltage rating: 150 VAC RMS  
 Current rating: 1.5 Amp  
 Contact resistance: 20 mohms max  
 Insulation resistance: 1,000 Mohms min @ 500 VDC  
 Contact to Contact: 1,000 VDC or AC Peak for 1 minute  
 Contact to Shield: 1,500 VDC or AC Peak for 1 minute  
 Temperature Rating:  
 Operating temperature: -40°C to +85°C  
 Environmental:  
 Lead free, RoHS compliant.



UNLESS OTHERWISE SPECIFIED ALL DIMENSIONS ARE INCHES [MM] TOLERANCES: EXCEPT AS NOTED INCHES HOLES .X ± .10 Ø.X ± .10 .XX ± .020 Ø.XX ± .015 .XXX ± .015 Ø.XXX ± .010			
APPROVALS DRAWN SS CHECKED APPROVED		DATE 5/25/07	
TITLE MODULAR TELEPHONE JACK, 8P8C RIGHT ANGLE, PCB			
SIZE X	PART NO. MTJ-885X1	REV. D	
REF: S00005C	SCALE: NTS	SHEET 1 OF 1	