

6

5

4

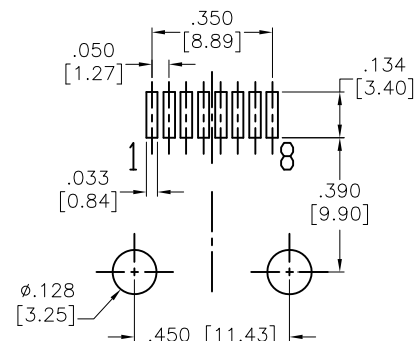
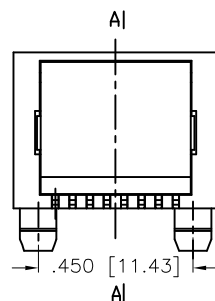
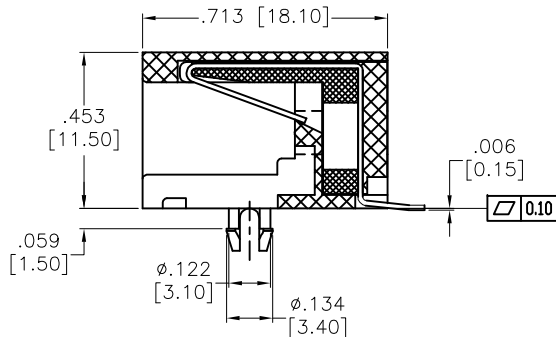
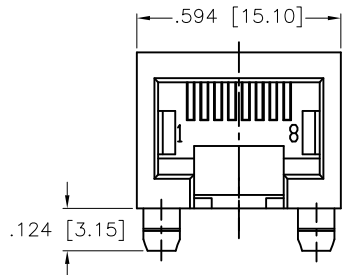
3

2

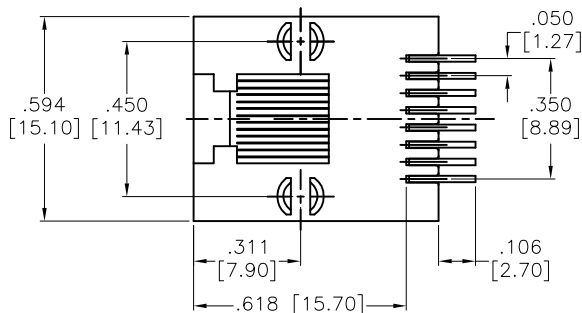
1

APPROVED: _____
 DATE: _____ TITLE: _____

Rev	AWO #	Description	Date	Appr
-		RELEASED	5/25/07	
A		REDRAWN	1/21/16	AY/SC



RECOMMENDED P.C.B LAYOUT



SPECIFICATIONS:

Material:
 Insulator: HI-Temp thermoplastic, rated UL 94V-0
 Insulator color: Black
 Contacts: Phosphor Bronze
 Plating:

Round contact
 Gold over Nickel underplate overall
 Flat contact
 Gold over Nickel underplate on contact area,
 Tin over Nickel underplate on solder tails

Electrical:
 Voltage rating: 125 VAC RMS
 Current rating: 1.5 Amp
 Contact resistance: 20 mohms max
 Insulation resistance: 1000 Mohms min @ 500 VDC
 Dielectric withstanding voltage: 1000 VAC or 1500 VDC for 1 minute

Temperature Rating:
 Operating temperature: -40°C to +85°C

Environmental:
 Lead free, RoHS compliant.



UNLESS OTHERWISE SPECIFIED
 ALL DIMENSIONS ARE INCHES [MM]
 TOLERANCES: EXCEPT AS NOTED
 INCHES HOLES
 .X ± .10 ØX ± .10
 .XX ± .020 ØXX ± .015
 .XXX ± .015 ØXXX ± .010



TITLE
**MODULAR TELEPHONE JACK, 8P8C
 RIGHT ANGLE, SURFACE MOUNT**

APPROVALS		DATE
DRAWN	SS	5/25/07
CHECKED		
APPROVED		

SIZE	PART NO.	REV.
X	MTJ-885X1-SMT	A
REF: S00005C	SCALE: NTS	SHEET 1 OF 1

6

5

4

3

2

1