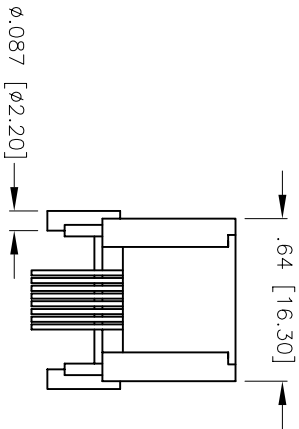
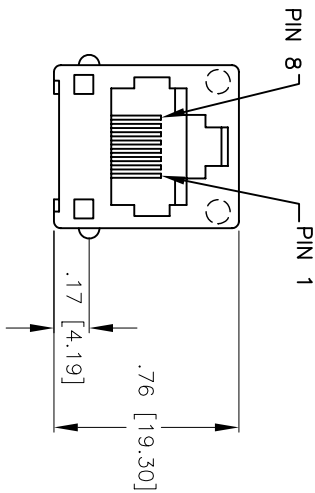


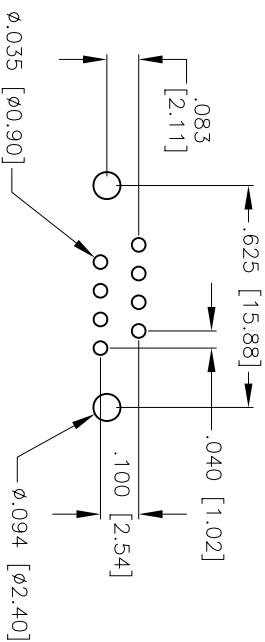
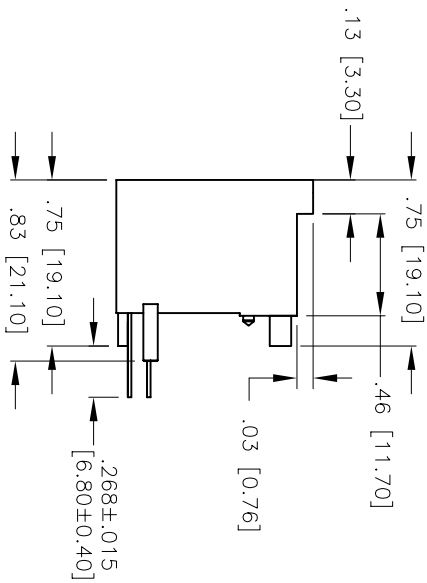
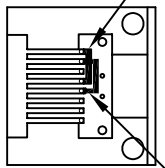
APPROVED: _____
 DATE: _____ TITLE: _____

Rev	AWO #	Description	Date	Appr
-		Preliminary	01/29/01	
A		ADDED PIN 1 DES	12/11/03	



SHORTING PCB
 PIN 1 & 4

SHORTING PCB
 PIN 2 & 5
 (UNDER SIDE)



RECOMMENDED PCB LAYOUT (TOP VIEW)

X	PLATING
0	15 µin Gold
1	30 µin Gold
2	50 µin Gold

SPECIFICATIONS:
Material:
 Insulator: PBT, rated UL 94V-0
 Insulator color: Black
 Contacts: Phosphor Bronze
 Shield: Phosphor Bronze, tin plated
 Plating:
 Gold over Nickel underplate on contact area, Tin over Copper underplate on PCB tails. See chart for thickness.
Electrical:
 Operating voltage: 150 VAC max
 Current rating: 1.5 Amps max
 Contact resistance: 20 mohms max
 Insulation resistance: 500 Mohms min @ 500 VDC
 Dielectric withstanding voltage: 1000 VAC for 1 minute
Temperature Rating:
 Operating temperature: -40°C to +125°C
Environmental:
 Lead free, RoHS Compliant
 Recommended soldering temp: 235°C for 5 seconds



UNLESS OTHERWISE SPECIFIED
 ALL DIMENSIONS ARE INCHES [MM]
 TOLERANCES: EXCEPT AS NOTED
 INCHES HOLES
 .X ±.10 Ø.X
 .XX ±.020 Ø.XX
 .XXX ±.015 Ø.XXX
 .XXXX ±.010



8 Position, 8 Contact, Modular Telephone Jack, Top Entry, No Flange

MTJ-883A11-N-SB

APPROVALS	DATE
DRAWN LFH	1/24/01
CHECKED	
APPROVED	

TITLE	SIZE	PART NO.	REV.
	X	MTJ-883A11-N-SB	A
REF:	SCALE:	NTS	SHEET 1 OF 1