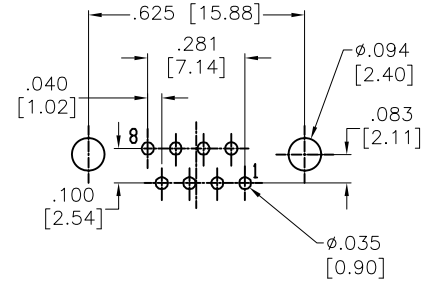
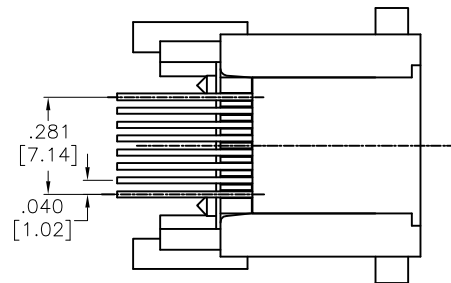
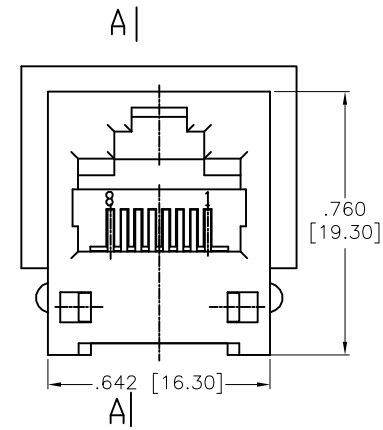
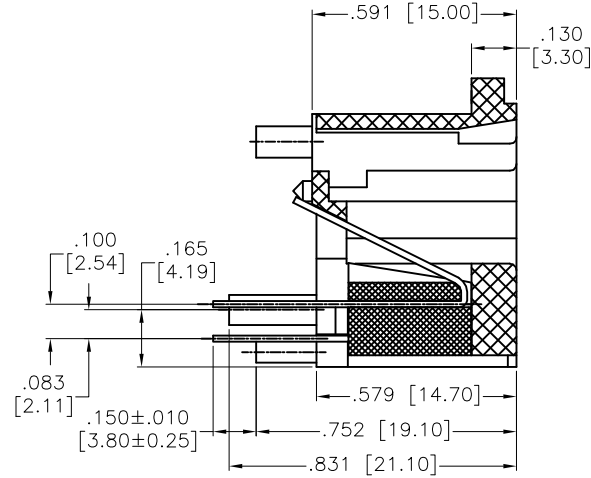


APPROVED: _____
 DATE: _____ TITLE: _____

Rev	AWO #	Description	Date	Appr
-		RELEASED	8/28/09	
A		REDRAWN	10/24/18	AY/RC1



SPECIFICATIONS:

Material:
 Insulator: PBT, rated UL 94V-0
 Insulator color: Black
 Contacts: Phosphor Bronze
 Plating:
 Gold over Nickel underplate on contact area
 Gold flash over Nickel underplate on solder tails
Electrical:
 Voltage rating: 125 VAC RMS
 Current rating: 1.5 Amp
 Contact resistance: 20 mohms max @ 500 VDC
 Dielectric withstanding voltage: 1000 VAC or 1500 VAC for 1 minute
 Temperature Rating:
 Operating temperature: -40°C to +85°C
Environmental:
 Lead free, RoHS compliant.



SECTION A-A

RECOMMENDED P.C.B LAYOUT

UNLESS OTHERWISE SPECIFIED
 ALL DIMENSIONS ARE INCHES [MM]
 TOLERANCES: EXCEPT AS NOTED

INCHES	HOLES
.X ± .10	Ø.X ± .10
.XX ± .020	Ø.XX ± .015
.XXX ± .015	Ø.XXX ± .010



TITLE
 MODULAR TELEPHONE JACK, 8P8C
 VERTICAL, THRU-HOLE PCB

APPROVALS		DATE
DRAWN	DY	8/28/09
CHECKED		
APPROVED		

SIZE	PART NO.	REV.
X	MTJ-883AX1-.150	A
REF: S00005C	SCALE: NTS	SHEET 1 OF 1