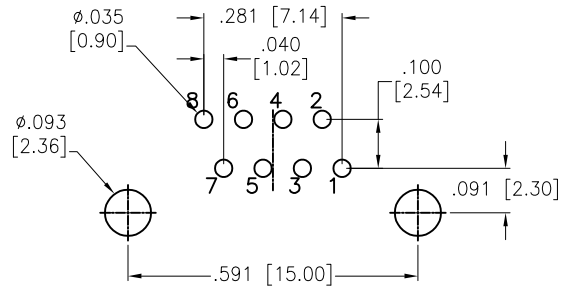


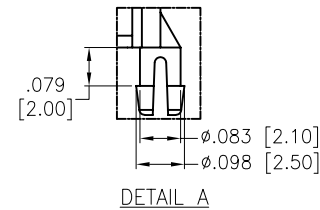
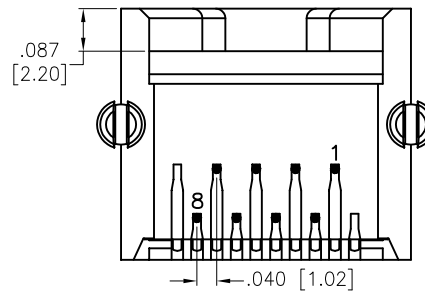
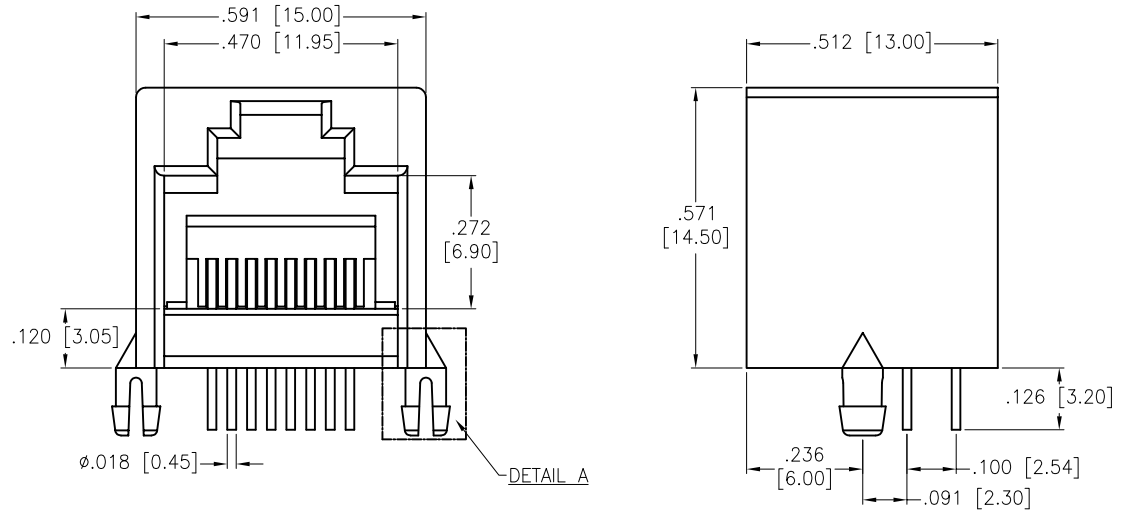
APPROVED: \_\_\_\_\_

DATE: \_\_\_\_\_ TITLE: \_\_\_\_\_

Rev	AWO #	Description	Date	Appr
-		RELEASED	11/6/23	
A		UPDATE SPEC.	11/5/25	WY/TW



RECOMMENDED PCB LAYOUT



**SPECIFICATIONS:**

Material:  
 Insulator: Hi-Temp Thermoplastic, rated UL 94V-0  
 Insulator color: Black  
 Contacts: Phosphor Bronze  
 Plating:  
 Round contact  
 Gold over Nickel underplate overall  
 Electrical:  
 Voltage rating: 150 VAC max  
 Current rating: 1.5 Amp max @25°C  
 Contact Resistance: 30 mohms max  
 Insulation resistance: 500 Mohms min  
 Dielectric withstanding voltage: 1,000V AC  
 Temperature Rating:  
 Operating temperature: -40°C to +85°C  $\Delta$   
 Environmental:  
 Lead free, RoHS compliant.



UNLESS OTHERWISE SPECIFIED ALL DIMENSIONS ARE INCHES [MM]. TOLERANCES: EXCEPT AS NOTED		
.X ± .10	HOLES Ø.X ± .10	
INCHES .XX ± .020	Ø.XX ± .015	
.XXX ± .015	Ø.XXX ± .010	
DRAWN	LH	11/6/23
CHECKED	TW	11/6/23
APPROVED		
CONFIDENTIAL AND PROPRIETARY <small>© Adam Tech. All rights reserved. This document contains confidential and proprietary information belonging to Adam Tech. It is provided solely for design and reference purposes by authorized parties. Any reproduction, distribution, display, or disclosure to third parties, in whole or in part, without the prior written consent of Adam Tech, is strictly prohibited. Adam Tech retains all rights, including copyright, trademark, trade secret, and all other intellectual property rights worldwide.</small>		



TITLE  
**MODULAR TELEPHONE JACK, 8P8C  
 RIGHT ANGLE, PCB, COLOR BLACK**

SIZE X	PART NO. MTJ-882BX1Y-HT	REV. A
REF: S00101C	SCALE: NTS	SHEET 1 OF 1