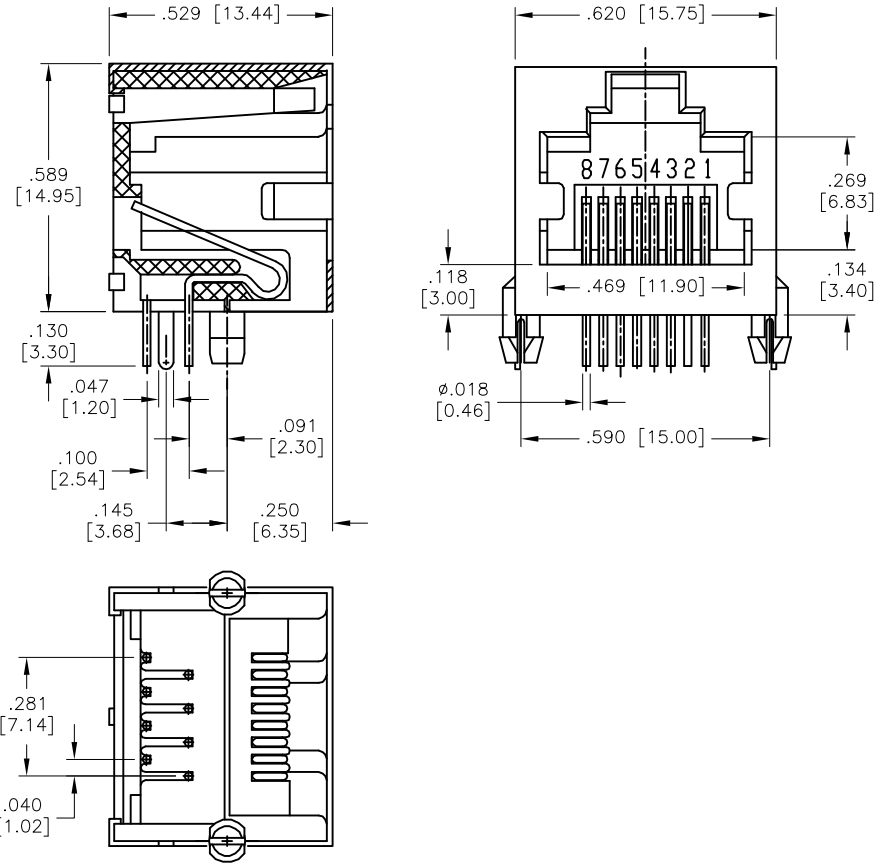
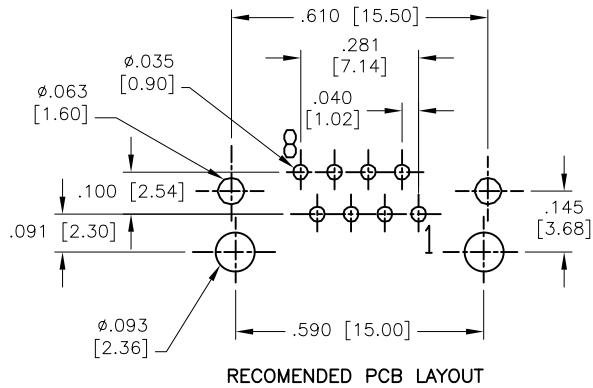


APPROVED: _____
 DATE: _____ TITLE: _____

Rev	AWO #	Description	Date	Appr
-		RELEASED	4/6/05	
A		REDRAWN	8/31/11	
B		UPDATE SPEC. & ADDED DIM.	8/21/20	AY/RT



SPECIFICATIONS:
 Material:
 Insulator: PBT, rated UL 94V-0
 Insulator color: Black
 Contacts: Phosphor Bronze
 Shield: Brass, Nickel plated
 Plating:
 Round contact
 Gold over Nickel underplate overall
 Flat contact
 Gold over Nickel underplate on contact area
 Tin over Nickel underplate on solder tails
 Electrical:
 Voltage rating: 150 VAC rms
 Current rating: 1.5 Amp
 Contact resistance: 20 mohms max
 Insulation resistance: 1,000 Mohms min @ 500 VDC
 Dielectric withstanding voltage: 1000 VAC or 1500 VDC for 1 minute
 Temperature Rating:
 Operating temperature: -40°C to +85°C
 Environmental:
 Lead free, RoHS compliant.



UNLESS OTHERWISE SPECIFIED
 ALL DIMENSIONS ARE INCHES [MM]
 TOLERANCES: EXCEPT AS NOTED

INCHES		HOLES	
.X	± .10	Ø.X	± .10
.XX	± .020	Ø.XX	± .015
.XXX	± .015	Ø.XXX	± .010

APPROVALS		DATE
DRAWN	SS	4/6/05
CHECKED		
APPROVED		



TITLE			
MODULAR TELEPHONE JACK, 8P8C RIGHT ANGLE, PCB, FULL SHIELD			
SIZE	PART NO.	REV.	
X	MTJ-882BX1-FS	B	
REF:	S00005C	SCALE:	NTS
		SHEET 1 OF 1	