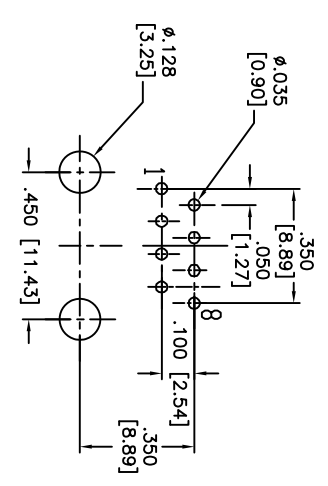
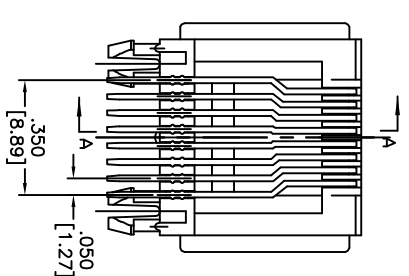
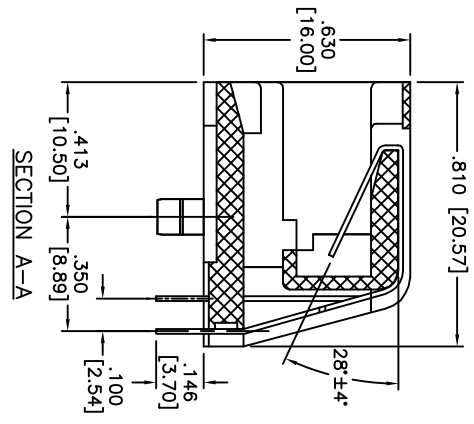
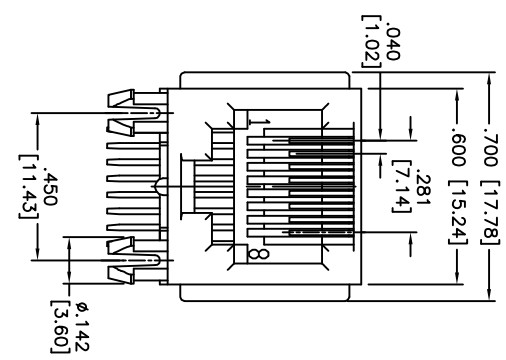


APPROVED: _____	6	5	4	3	2	1
DATE: _____	TITLE: _____					
Rev	AWO #	Description	Date	Appr		
-		RELEASED	12/1/04			
A		UPDATED SPECS	01/13/05			
B		REDRAWN	9/4/14	AV/NP		
C		UPDATED DRAWING.	3/23/15	HR/RT		



X	PLATING
0	15 µin Gold
1	30 µin Gold
2	50 µin Gold

SPECIFICATIONS:

Material: PBT, rated UL 94V-0

Insulator color: Black

Contacts: Phosphor Bronze

Plating: Gold over Nickel underplate on contact area, Tin over Copper underplate on PCB tails

Electrical: Operating voltage: 125 VAC max

Current rating: 1.5 Amps max

Contact resistance: 20 mohms max

Insulation resistance: 1,000 Mohms min @ 500 VDC

Dielectric withstanding voltage: 1,000 VAC or 1,500 VDC for 1 minute

Temperature Rating: Operating Temperature: -40°C to +85°C

Environmental: Lead free, RoHS compliant.



MODULAR TELEPHONE JACK, 8P8C
RIGHT ANGLE, PCB, COLOR BLACK

UNLESS OTHERWISE SPECIFIED ALL DIMENSIONS ARE INCHES [MM]	
TOLERANCES: EXCEPT AS NOTED	
INCHES	HOLES
.X ± .10	ØXX ± .10
.XX ± .020	ØXXX ± .015
.XXX ± .015	ØXXXX ± .010
APPROVALS	DATE
DRAWN SS	12/1/04
CHECKED	
APPROVED	

TITLE	SIZE	PART NO.	REV.
MODULAR TELEPHONE JACK, 8P8C RIGHT ANGLE, PCB, COLOR BLACK	X	MTJ-881X1	C
REF: S0003C	SCALE: NTS	SHEET 1 OF 1	

6 5 4 3 2 1