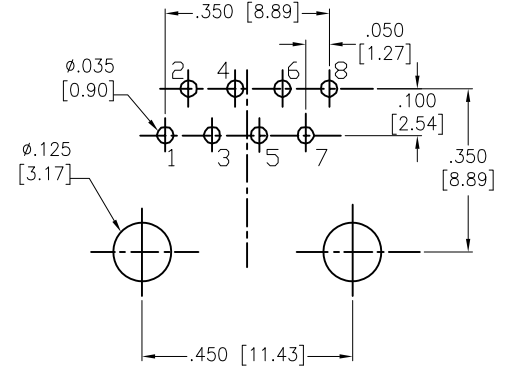
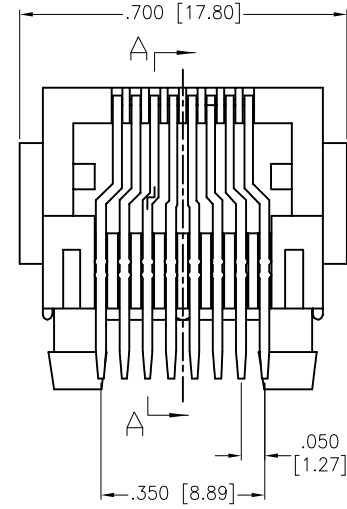
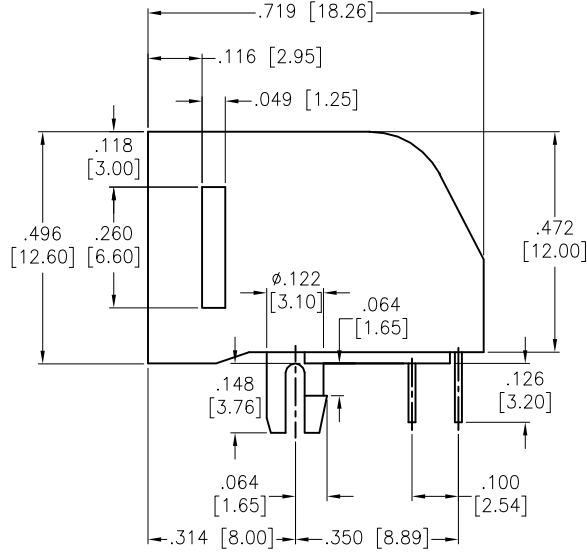
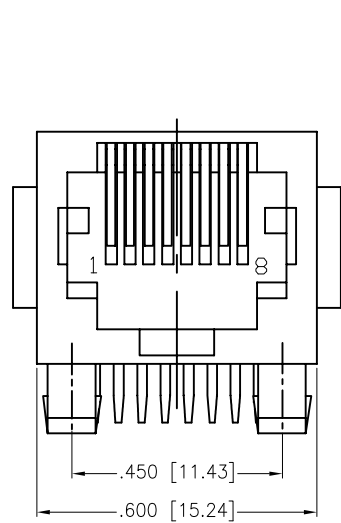
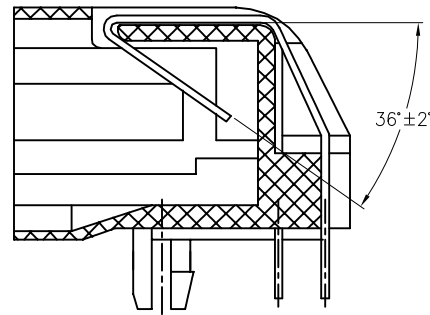


APPROVED: _____
 DATE: _____ TITLE: _____

Rev	AWO #	Description	Date	Appr
-		RELEASED	10/4/04	
A		REVISED SHAPE	3/30/09	
B		REDRAWN	01/07/13	
C		UPDATED DRAWING	2/10/15	HR/CH
D		REVISED DIM.	3/6/15	AY/CH
E		UPDATE SPEC.	2/7/20	LH/NL



RECOMMENDED PCB LAYOUT



SECTION A-A

SPECIFICATIONS:
Material:
 Insulator: PBT, rated UL 94V-0
 Insulator color: Black
 Contacts: Phosphor Bronze
 Plating:
 Round contact
 Gold over Nickel underplate overall
 Flat contact
 Gold over Nickel underplate on contact area
 Matte Tin over Nickel underplate on solder tails
Electrical:
 Voltage rating: 125 VAC RMS
 Current rating: 1.5 Amp
 Contact resistance: 20 mohms max
 Insulation resistance: 1000 Mohms min @ 500 VDC
 Dielectric withstanding voltage: 1,000 VAC RMS 60HZ for 1 minute
 Temperature Rating:
 Operating temperature: -40°C to +85°C
 Environmental:
 Lead free, RoHS Compliant



UNLESS OTHERWISE SPECIFIED ALL DIMENSIONS ARE INCHES [MM] TOLERANCES: EXCEPT AS NOTED	
INCHES	HOLES
.X ± .10	Ø.X ± .10
.XX ± .020	Ø.XX ± .015
.XXX ± .015	Ø.XXX ± .010
APPROVALS	
DRAWN	DATE
SS	10/4/04
CHECKED	
APPROVED	



TITLE
 MODULAR TELEPHONE JACK, 8P8C
 RIGHT ANGLE, PCB

SIZE X	PART NO. MTJ-880X1	REV. E
REF: S00005C	SCALE: NTS	SHEET 1 OF 1