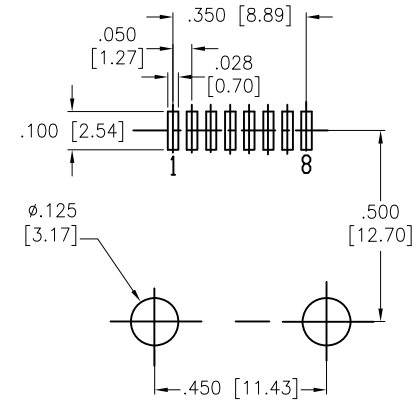
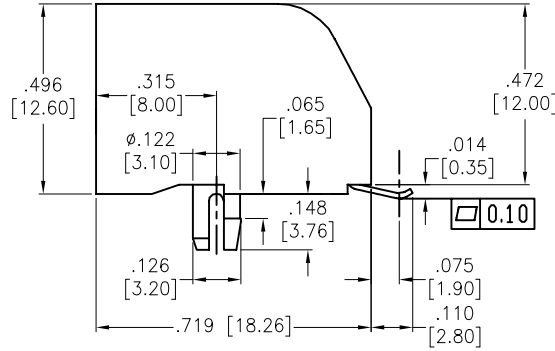
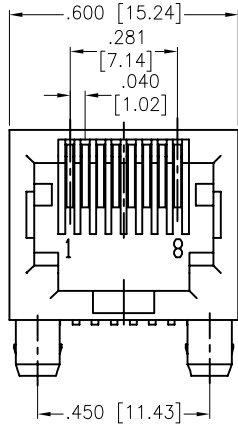
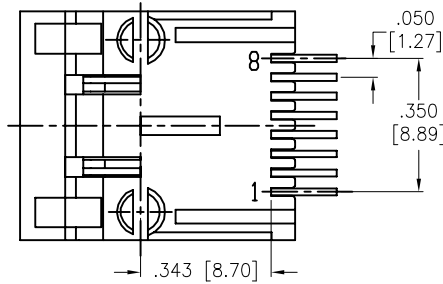


APPROVED: _____
 DATE: _____ TITLE: _____

Rev	AWO #	Description	Date	Appr
-		RELEASED	01/24/06	
A		UPDATE SHAPE	11/9/15	AY/NP



RECOMMENDED
PCB LAYOUT



SPECIFICATIONS:

Material:

Insulator: Hi-temp thermoplastic, rated UL 94V-0

Insulator color: Black

Contacts: Phosphor Bronze

Contacts Plating:

Flat contact

Gold over Nickel underplate on contact area,

Tin over Copper underplate on solder tails

Round contact

Gold over Nickel underplate overall

(See chart for thickness)

Electrical:

Operating voltage: 125 VAC max

Current rating: 1.5 Amps max

Contact resistance: 20 mohms max

Insulation resistance: 1000 Mohms min @ 500 VDC

Dielectric withstanding voltage: 1000 VAC or 1500 VDC for 1 minute

Temperature Rating:

Operating temperature: -40°C to +85°C

Environmental:

Lead free, RoHS Compliant



X	PLATING
0	15 µin Gold
1	30 µin Gold
2	50 µin Gold

UNLESS OTHERWISE SPECIFIED
 ALL DIMENSIONS ARE INCHES [MM]
 TOLERANCES: EXCEPT AS NOTED
 INCHES HOLES

.X	± .10	∅X	± .10
.XX	± .020	∅.XX	± .015
.XXX	± .015	∅.XXX	± .010



TITLE
 MODULAR TELEPHONE JACK, 8P8C
 RIGHT ANGLE, SURFACE MOUNT

APPROVALS		DATE
DRAWN	SS	01/24/06
CHECKED		
APPROVED		

SIZE	PART NO.	REV.
X	MTJ-880X1-N-SMT	A
REF:	S00005C	SCALE: NTS
		SHEET 1 OF 1