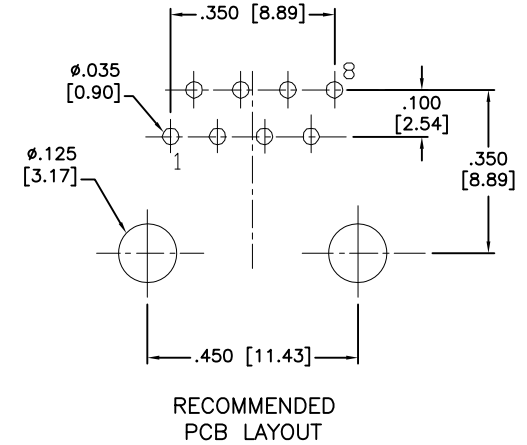
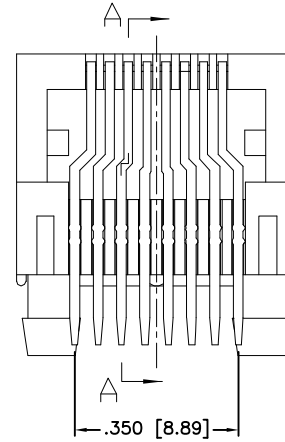
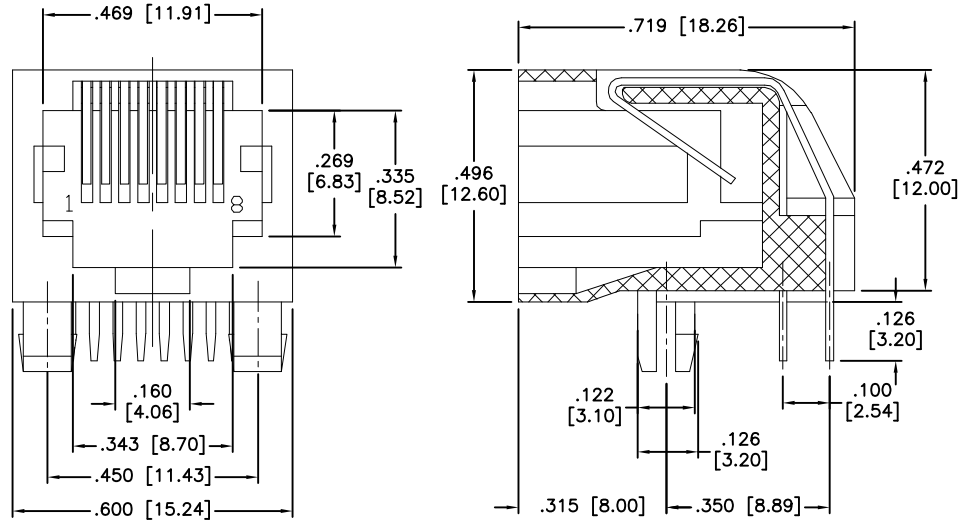


APPROVED: _____
 DATE: _____ TITLE: _____

Rev	AWO #	Description	Date	Appr
-		RELEASED	6/27/12	
A		REVISED SPEC.	6/30/15	AY
B		UPDATE DIM.	10/30/15	AY



B SPECIFICATIONS:

Material:
 Insulator: PBT, rated UL 94V-0
 Insulator color: Red, Pantone color P485C
 Contacts: Phosphor Bronze
 Contacts Plating:
 Flat contact
 Gold over Nickel underplate on contact area,
 Tin over Copper underplate on solder tails
 Round contact
 Gold over Nickel underplate overall
 (See chart for thickness)

Electrical:
 Operating voltage: 125 VAC max
 Current rating: 1.5 Amps max
 Contact resistance: 20 mohms max
 Insulation resistance: 1000 Mohms min @ 500 VDC
 Dielectric withstanding voltage: 1000 VAC for 1 minute
 Temperature Rating:
 Operating temperature: -40°C to +85°C
Environmental:
 Lead free, RoHS Compliant



X	PLATING
0	15 μ in Gold
1	30 μ in Gold
2	50 μ in Gold

UNLESS OTHERWISE SPECIFIED
 ALL DIMENSIONS ARE INCHES [MM]
 TOLERANCES: EXCEPT AS NOTED
 INCHES HOLES

.X	\pm .10	ϕ .X	\pm .10
.XX	\pm .020	ϕ .XX	\pm .015
.XXX	\pm .015	ϕ .XXX	\pm .010



TITLE: MODULAR TELEPHONE JACK, 8P8C, R/A,
 PCB, RED PANTONE COLOR P485C

APPROVALS		DATE
DRAWN	AY	6/27/12
CHECKED	SC	6/27/12
APPROVED		

SIZE	PART NO.	REV.
X	MTJ-880X1-N-P485C	B
REF:	S00005C	SCALE: NTS
		SHEET 1 OF 1