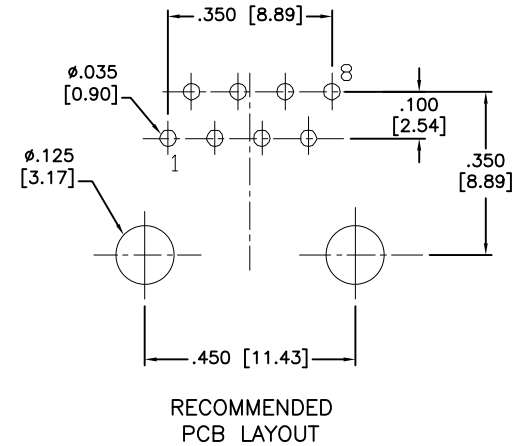
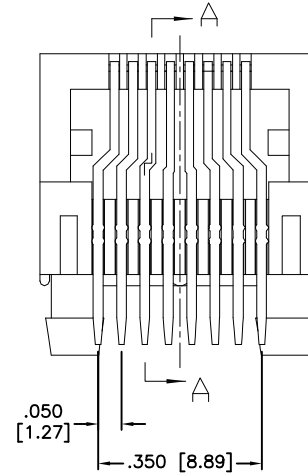
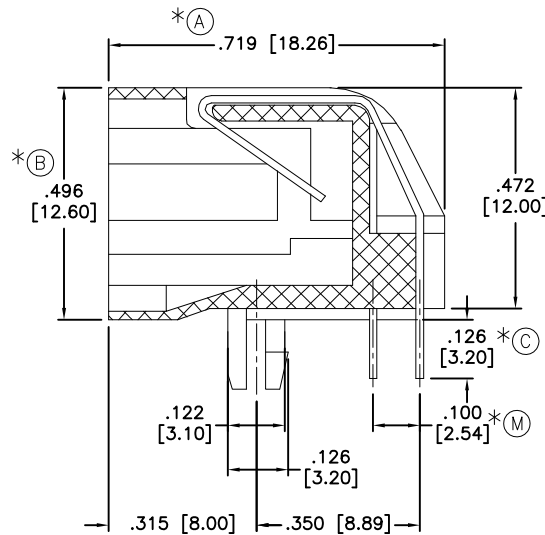
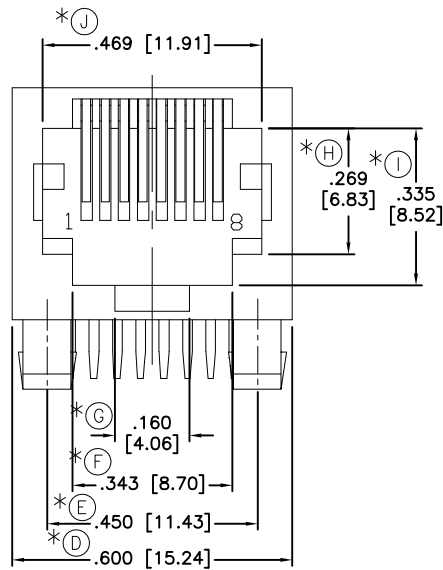


APPROVED: \_\_\_\_\_  
 DATE: \_\_\_\_\_ TITLE: \_\_\_\_\_

Rev	AWO #	Description	Date	Appr
-		RELEASED	2/23/09	
A		REDRAWN	09/27/12	
B		REVISED SPEC.	6/30/15	AY
C		UPDATE DIM.	10/30/15	AY
D		UPDATE DIM.	3/29/16	HR/RT
E		UPDATE SPEC.	5/3/16	HR/RT



**SPECIFICATIONS:**

Material:  
 Insulator: PBT, rated UL 94V-0  
 Insulator color: Yellow, Pantone color P114C  
 Contacts: Phosphor Bronze

Contacts Plating:  
 Flat contact  
 Gold over Nickel underplate on contact area,  
 Tin over Nickel underplate on solder tails  
 (See chart for thickness)

Electrical:  
 Operating voltage: 125 VAC RMS  
 Current rating: 1.5 Amp  
 Contact resistance: 20 mohms max  
 Insulation resistance: 1,000 Mohms min @ 500 VDC  
 Dielectric withstanding voltage: 1,000 VAC or 1,500 VDC for 1 minute  
 Temperature Rating:  
 Operating temperature: -40°C to +85°C

Environmental:  
 Lead free, RoHS Compliant



X	PLATING
0	15 $\mu$ m Gold
1	30 $\mu$ m Gold
2	50 $\mu$ m Gold

“\*” Key point

UNLESS OTHERWISE SPECIFIED ALL DIMENSIONS ARE INCHES [MM] TOLERANCES: EXCEPT AS NOTED	
INCHES	HOLES
.X ± .10	Ø.X ± .10
.XX ± .020	Ø.XX ± .015
.XXX ± .015	Ø.XXX ± .010
APPROVALS	
DRAWN	DATE
DY	2/23/09
CHECKED	
APPROVED	



TITLE MODULAR TELEPHONE JACK, 8P8C, R/A, PCB, YELLOW PANTONE COLOR P114C		
SIZE X	PART NO. MTJ-880X1-N-P114C	REV. E
REF: S00005C	SCALE: NTS	SHEET 1 OF 1