

# MIL-DTL-5015 Mil-Spec Connectors

**Part Number :**

**MS3114E16-26P**

Client Order no.:

Item no. :

Order no. :

Consignment no. :

Offer no. :

Project :

Remarks :



## Basic Information

<b>Product Type:</b>	MIL-DTL-26482 series 1 Mil-Spec Circular Connector
<b>Series:</b>	MS3114 Jam Nut Receptacle
<b>Connector Type:</b>	Receptacle
<b>Orientation:</b>	Straight
<b>Contact Type:</b>	Pin Contacts
<b>Number of Contacts:</b>	26 Contacts
<b>Contact Termination:</b>	Solder Cup
<b>Shell sizes:</b>	16
<b>Contact Arrangement:</b>	16-26
<b>Coupling Method:</b>	Bayonet
<b>Mount Method:</b>	Panel Mount
<b>Mount Feature:</b>	Bulkhead – Front Mount
<b>Wire Gauge:</b>	20/22/24AWG
<b>Durability:</b>	500 Cycles
<b>Alternate Position:</b>	N - Normal
<b>Shielding performance:</b>	Unshielded
<b>Temperature range:</b>	-55°C to + 125°C
<b>Protection degree:</b>	IP67

### Materials and Plating

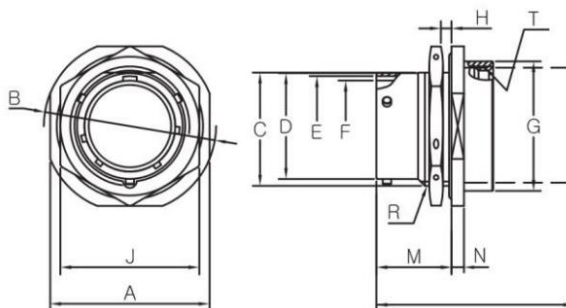
<b>Shell Material:</b>	Aluminum Alloy
<b>Shell Plating:</b>	Olive Drab Cadmium/Black Over Zinc Plating
<b>Contact Material:</b>	Copper Alloy
<b>Contact Plating:</b>	Gold Plating
<b>Insulator Material:</b>	Synthetic Rubber
<b>Grommets and Seals Material:</b>	Synthetic Rubber

### Electrical Performance

<b>Rated voltage:</b>	850V DC
<b>Rated current:</b>	7.5A
<b>Insulation Resistance:</b>	5,000 Mega Ohms minimum (at 25°C)
<b>Contact resistance:</b>	< 10 mΩ

### MS3114E Sizes

MS3114 Class E, F  
 Jam Nut Receptacle



Dimensions in mm

Shell Size	φ A max	φ B - 0.81	φ C - 0.25	φ D +0.03 -0.13	φ E +0.13 0.15	φ F +0.13 0.03	φ G max	H		J ±0.43	M +0.79	N ±0.51	R THD-2A	T THD-2B
								min	max					
8	24.23	27.38	13.46	12.01	10.46	9.19	19.05	1.57	3.18	19.05	17.55	2.97	9/16-24UNEF	5/8-24UNEF
10	27.39	30.56	16.64	14.99	13.72	12.45	22.23	1.57	3.18	22.23	17.55	2.97	11/16-24UNEF	3/4-20UNEF
12	32.16	35.33	20.78	19.05	17.50	15.42	25.40	1.57	3.18	26.97	17.55	2.97	7/8-20UNEF	7/8-20UNEF
14	35.33	38.51	23.93	22.22	20.68	18.59	28.58	1.57	3.18	30.18	17.55	2.97	1 -20UNEF	1 -20UNEF
16	38.51	41.68	27.08	25.40	23.85	21.77	31.75	1.57	3.18	33.32	17.55	2.97	1 1/8-20UNEF	1 1/8-18UNEF
18	41.68	44.86	30.23	28.58	26.39	24.43	34.93	1.57	3.18	36.53	17.55	2.97	1 1/4-18UNEF	1 1/4-18UNEF
20	46.43	49.63	33.43	31.75	29.57	27.61	38.89	1.57	6.35	39.67	22.33	3.76	1 3/8-18UNEF	1 3/8-18UNEF
22	49.63	52.78	36.60	34.92	32.74	30.78	42.06	1.57	6.35	42.88	22.33	3.76	1 1/2-18UNEF	1 1/2-18UNEF
24	52.78	55.96	39.78	38.10	35.92	33.96	45.24	1.57	6.35	46.02	23.16	3.76	1 5/8-18UNEF	1 5/8-18UNEF

## How to Order

	<b>MS</b>	<b>3112</b>	<b>E</b>	<b>12-</b>	<b>10</b>	<b>P</b>	<b>W</b>	<b>**</b>
Series:	<b>MS</b>							
Shell Style:	<b>3110</b> – Wall Mounting Receptacle <b>3111</b> – Cable Connecting Plug <b>3112</b> – Box Mounting Receptacle <b>3114</b> – Jam Nut Mounting Receptacle <b>3115</b> – Dummy Receptacle <b>3116</b> – Straight Plug <b>3119</b> – Thru-Bulkhead Receptacle							
Class:	<b>A</b> – General duty, threaded back shell; <b>E</b> – Grommet seal expert on MS3112; <b>F</b> – Grommet seal with strain relief; <b>J</b> – Cable seal with clamp (MS3116 only) <b>P</b> – Potting seal							
Shell Size:	<b>8, 10, 12, 14, 16, 18, 20, 22, 24</b>							
Contact Arrangement:	See Catalog.							
Contact Type:	<b>P</b> – Pin Contact <b>S</b> – Socket Contact <b>C</b> – Feedthrough Contact							
Position:	See Catalog.							
Finish:	<b>No Code</b> – Olive drab cadmium plate finish as standard; <b>F</b> – Electroless Nickel <b>Z3</b> – Black over Zinc plating (RoHS) <b>A4</b> – Black over Anodize <b>N</b> – Nickel plating							

Learn more about this connector on [Metabee's MIL-DTL-26482 connector catalog](#).