

MIL-DTL-5015 Mil-Spec Connectors

Part Number :

MS3114E14-19P



Client Order no.:

Item no. :

Order no. :

Consignment no. :

Offer no. :

Project :

Remarks :

Basic Information

Product Type:	MIL-DTL-26482 series 1 Mil-Spec Circular Connector
Series:	MS3114 Jam Nut Receptacle
Connector Type:	Receptacle
Orientation:	Straight
Contact Type:	Pin Contacts
Number of Contacts:	19 Contacts
Contact Termination:	Solder Cup
Shell sizes:	14
Contact Arrangement:	14-19
Coupling Method:	Bayonet
Mount Method:	Panel Mount
Mount Feature:	Bulkhead – Front Mount
Wire Gauge:	20/22/24AWG
Durability:	500 Cycles
Alternate Position:	N - Normal
Shielding performance:	Unshielded
Temperature range:	-55°C to + 125°C
Protection degree:	IP67

Materials and Plating

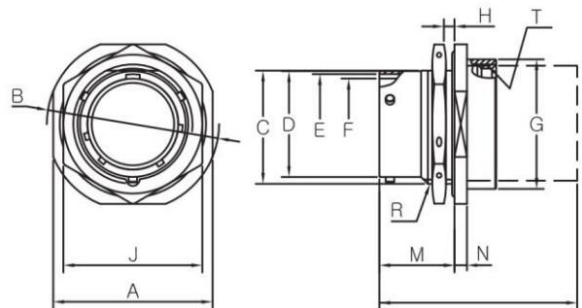
Shell Material:	Aluminum Alloy
Shell Plating:	Olive Drab Cadmium/Black Over Zinc Plating
Contact Material:	Copper Alloy
Contact Plating:	Gold Plating
Insulator Material:	Synthetic Rubber
Grommets and Seals Material:	Synthetic Rubber

Electrical Performance

Rated voltage:	850V DC
Rated current:	7.5A
Insulation Resistance:	5,000 Mega Ohms minimum (at 25°C)
Contact resistance:	< 10 mΩ

MS3114E Sizes

MS3114 Class E, F
 Jam Nut Receptacle



Dimensions in mm

Shell Size	φ A max	φ B - 0.81	φ C - 0.25	φ D +0.03 -0.13	φ E +0.13 0.15	φ F +0.13 0.03	φ G max	H		J ±0.43	M +0.79	N ±0.51	R THD-2A	T THD-2B
								min	max					
8	24.23	27.38	13.46	12.01	10.46	9.19	19.05	1.57	3.18	19.05	17.55	2.97	9/16-24UNEF	5/8-24UNEF
10	27.39	30.56	16.64	14.99	13.72	12.45	22.23	1.57	3.18	22.23	17.55	2.97	11/16-24UNEF	3/4-20UNEF
12	32.16	35.33	20.78	19.05	17.50	15.42	25.40	1.57	3.18	26.97	17.55	2.97	7/8-20UNEF	7/8-20UNEF
14	35.33	38.51	23.93	22.22	20.68	18.59	28.58	1.57	3.18	30.18	17.55	2.97	1 -20UNEF	1 -20UNEF
16	38.51	41.68	27.08	25.40	23.85	21.77	31.75	1.57	3.18	33.32	17.55	2.97	1 1/8-20UNEF	1 1/8-18UNEF
18	41.68	44.86	30.23	28.58	26.39	24.43	34.93	1.57	3.18	36.53	17.55	2.97	1 1/4-18UNEF	1 1/4-18UNEF
20	46.43	49.63	33.43	31.75	29.57	27.61	38.89	1.57	6.35	39.67	22.33	3.76	1 3/8-18UNEF	1 3/8-18UNEF
22	49.63	52.78	36.60	34.92	32.74	30.78	42.06	1.57	6.35	42.88	22.33	3.76	1 1/2-18UNEF	1 1/2-18UNEF
24	52.78	55.96	39.78	38.10	35.92	33.96	45.24	1.57	6.35	46.02	23.16	3.76	1 5/8-18UNEF	1 5/8-18UNEF

How to Order

	MS	3112	E	12-	10	P	W	**
Series:	MS							
Shell Style:	3110 – Wall Mounting Receptacle 3111 – Cable Connecting Plug 3112 – Box Mounting Receptacle 3114 – Jam Nut Mounting Receptacle 3115 – Dummy Receptacle 3116 – Straight Plug 3119 – Thru-Bulkhead Receptacle							
Class:	A – General duty, threaded back shell; E – Grommet seal expert on MS3112; F – Grommet seal with strain relief; J – Cable seal with clamp (MS3116 only) P – Potting seal							
Shell Size:	8, 10, 12, 14, 16, 18, 20, 22, 24							
Contact Arrangement:	See Catalog.							
Contact Type:	P – Pin Contact S – Socket Contact C – Feedthrough Contact							
Position:	See Catalog.							
Finish:	No Code – Olive drab cadmium plate finish as standard; F – Electroless Nickel Z3 – Black over Zinc plating (RoHS) A4 – Black over Anodize N – Nickel plating							

Learn more about this connector on [Metabee's MIL-DTL-26482 connector catalog](#).