



METABEE

Circular Push-Pull Connectors



Metabee (Chengdu) Technology Co., Ltd.

180+
Countries

300+
Workers

20,000 M²
Production Workshop

16M
Group Assets

Metabee (Chengdu) Technology Co., Ltd. established in 2022 located in Sichuan Province with convenient transportation. Our associated factory Jiangmen Dosin specialize in producing RF connectors, M series connectors, and cables.

We are committed to being the world's leading Manufacturer of electronic connectors and industrial cables. We have developed more than 20 product series and more than 5,000 varieties. These products have been widely sold to many countries and regions around the world. They are mainly used for outdoor lighting automation machinery, new energy vehicles, charging equipment, electricity generation facilities, and other industries.

We can also support OEM ODM and customized related products. All products have owned American UL, German TUV, and Europe CE ROHS certifications and have several design patents. Our associated factory has production workshop with an area of 20,000 square meters, more than 300 employees, 30 international advanced production lines, and tens of precision testing equipment. Moreover, we have constructed a specialized laboratory for product research and development. Our reliable product quality, good service, and rapid technical have helped us win many customers in China and overseas markets.

Metabee (Chengdu) Technology Co., Ltd. has become the leading technology and scale Enterprise in the connector field. We have a reliable reputation among our customers because of our professional services, quality products, and competitive prices. We welcome customers from home and abroad to cooperate with us for Common success.

Contents

Product	Page
MB-B Series Push Pull Connector	4-19
MB-K Series Waterproof Connector	20-34
MB-F Series Circular Connector	35-52
MB-S Series Half-Moon Connector	53-63
MB-S & E Series Coaxial Connector	64-77
MB-P Series Plastic Connector	78-93
MB Metal & Plastic Hybrid Connector	94-102
HR10A Series Miniature Camera Connector	103-106
MB-BP Series Fluidic Connector	107-110
Accessories	111-114
PCB Drilling Pattern	115-118
Customized Cable Assemblies	119

MB-B Series Push Pull Connectors

1. Overview

1.1 Plug

Straight Plug



MB-TGG



MB-TGG(Z)



MB-TGG.00



MB-TEG



MB-TFG



MB-TNG



MB-TAG



MB-TVG

Right Angle Plug



MB-THG



MB-THG(Z)



MB-TSG(Z)

1.2 Receptacle

Fixed Panel Mount Receptacle



MB-ZGG



MB-ZCG



MB-ZEG



MB-ZHG



MB-ZNG



MB-ZCG
(Elbow Contact)



MB-ZEG
(Elbow Contact)

Vacuum-tight Receptacle



MB-MEG



MB-MGG



MB-MHG



2. Push-Pull Self-Latching Connection System



Drawing	Specification
	<p>Engaging</p> <p>The self-latching system allows the connector to be mated by simply pushing the plug into the receptacle.</p>
	<p>Latched</p> <p>Once firmly latched, the connection cannot be broken by pulling on the cable or any other component part other than the outer release sleeve.</p>
	<p>Disengaging</p> <p>When required, the connector is disengaged by a single axial pull on the outer release sleeve. This first disengage the latches and then withdraws the plug from the socket.</p>

3. Main Features

- Secure push-pull self-latching system design
- Multiple key options for aligned and blind mating
- Keying system available (G, A, B, C, D, E, F, J, K, L.....)
- 360° screening for full EMC shielding
- Multipole types 2 to 48 contacts
- Supply size OOB, OB, 1B, 2B, 3B, 4B series
- Solder contact, PCB contacts (straight or elbow)
- Crimp contact can be customized
- High-density configurations for blind mating even in tight spaces
- Available customized cable assembly solution

4. Technical Characteristics

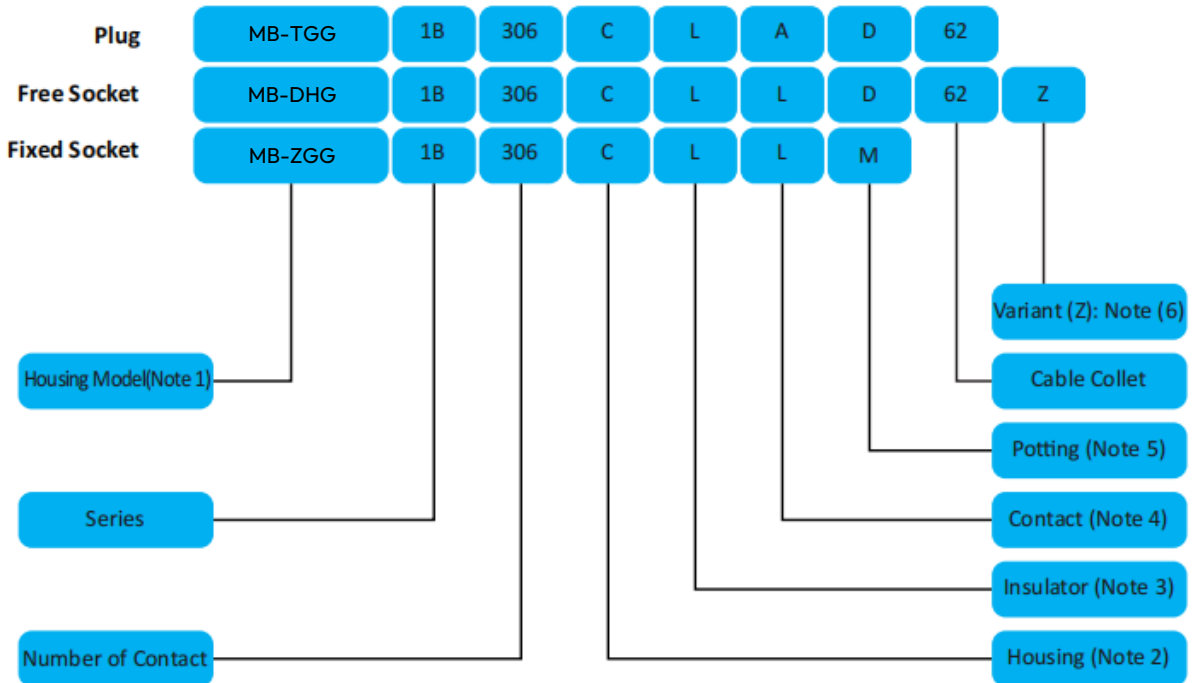
4.1 Mechanical and Climatical

Characteristics	Value	Standard
Endurance	>5000 cycles	IEC 60512-5 test 9a
Humidity	Up to 95% at 60°C	
Temperature Range	-40°C to +150°C	
Resistance to Vibration	10-2000Hz, 15g	IEC 60512-4 test 6d
Shock Resistance	100g, 6ms	IEC 60512-4 test 6c
Salt Spray Corrosion Test	>96h	IEC 60512-6 test 11f
Protection Index (mated)	IP 50	IEC 60529

4.1 Electrical

Characteristics	Value	Standard	
Shielding Efficiency	at 10 MHZ	>75 dB	IEC 60619-1-3
	at 1 GHZ	>40 dB	IEC 60619-1-3

5. Part Numbering System



***Note 1:**

To place an order for a chocolate design, please use the identifier MB12

MB-TGG.1B.306.CLAD62Z = 1B 6 pins straight plug, G key (alpha=0), pearl chrome plated brass housing, PPS insulator, male soldering contact type, 6.0 mm cable collet, nut for fitting bend relief

MB12-TGG.1B.306.CLAD62Z = 1B 6 pins straight plug, G key (alpha=0), pearl chrome plated brass housing, PPS insulator, male soldering contact type, 6.0 mm cable collet, nut for fitting bend relief, chocolate out shell design

***Note 2:**

C=Brass plated chrome

K=Brass plated black chrome (At the end of the model number, adding 'R' indicates a red dot, while adding 'W' indicates a white dot.)

N=Brass plated nickel

T=Stainless Steel

L=Aluminum alloy anodized

H=ABS/Brass (only for ZPX/ZXG)

***Note 3:**

L=PPS

T=PTFE

P=PEEK

***Note 4:**

- A=Male soldering contacts
- L=Female soldering contacts
- D=Male straight PCB contacts
- N=Female straight PCB contacts
- W=Male 90° PCB contacts
- V=Female 90° PCB contacts

***Note 5:**

- W=White silicone sealing
- T=Transparent epoxy resin seal

***Note 6:**

To request a model that includes a nut for fitting the bend relief, designate the variant position with the letter "Z" and include the bend relief part numbers MB-GMA.

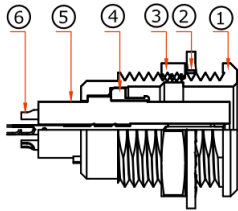
Bend relief color:

N=Black G=Gray A=Blue R=Red J=Yellow V=Green

6. Part Section Showing Internal Components

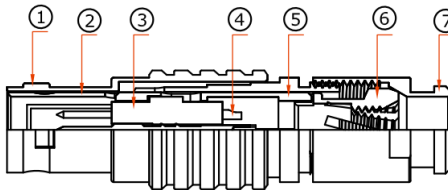
Fixed Receptacle

- ① Outer Shell
- ② Retaining Ring
- ③ Hexagonal Nut
- ④ Locking Washer
- ⑤ Insulator
- ⑥ Female Contact



Straight Plug

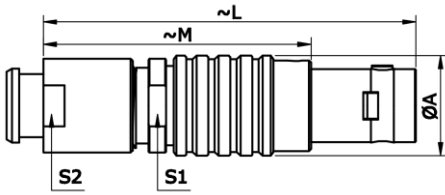
- ① Outer Shell
- ② Latch Sleeve
- ③ Insulator
- ④ Male Contact
- ⑤ Split Insert Carrier
- ⑥ Collet
- ⑦ Collet Nut



7. Product Size

MB-TGG

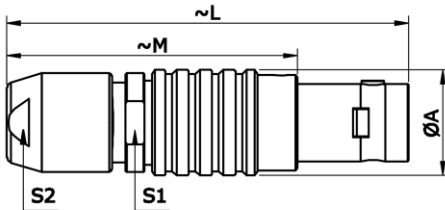
Cable mount straight plug, key (G) or keys (A..M), cable collet and nut for fitting a bend relief



Reference		Dimensions(mm)				
Model	Series	A	L	M	S1	S2
MB-TGG	00	6.4	28.5	20	5.5	6.0
MB-TGG	0B	9.5	35.0	25.0	8.0	8.0
MB-TGG	1B	12.0	42.0	31.0	10.0	9.0
MB-TGG	2B	15.0	49.0	37.0	13.0	12.0
MB-TGG	3B	18.0	58.5	43.5	15.0	15.0

MB-TGG

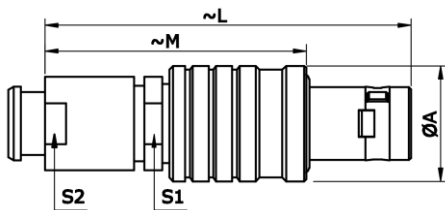
Cable mount straight plug, key (G) or keys (A...M),cable collet



Reference		Dimensions(mm)				
Model	Series	A	L	M	S1	S2
MB-TGG	00	6.4	28.5	20.5	5.5	5.0
MB-TGG	0B	9.5	36.0	26.0	8.0	7.0
MB-TGG	1B	12.0	43.0	32.0	10.0	9.0
MB-TGG	2B	15.0	50.0	38.0	13.0	12.0
MB-TGG	3B	18.0	58.0	43.0	15.0	14.0

MB-TEG

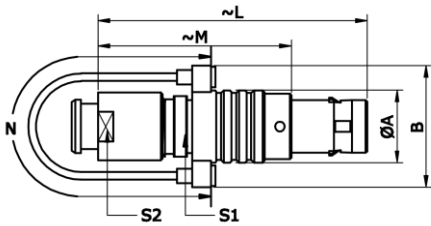
Cable mount straight plug, front sealed, key (G) or keys (A..M), cable collet and nut for fitting a bend relief



Reference		Dimensions(mm)				
Model	Series	A	L	M	S1	S2
MB-TEG	0B	11.0	35.0	20.0	8.0	8.0
MB-TEG	1B	13.5	42.0	33.0	10.0	9.0
MB-TEG	2B	16.5	48.0	36.0	13.0	12.0
MB-TEG	3B	19.0	56.0	41.5	15.0	15.0

MB-TNG

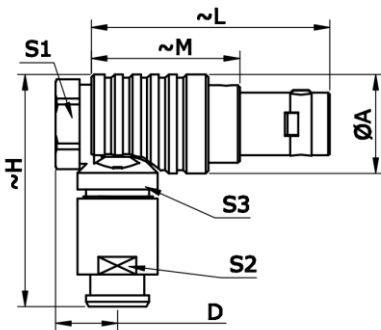
Cable mount straight plug, key (G) or keys (A..M), cable collet and lanyard release



Reference		Dimensions(mm)						
Model	Series	A	B	L	M	N	S1	S2
MB-TNG	0B	9.5	15.95	34.62	24.3	140	8.0	8.0
MB-TNG	1B	12.0	18.0	43.0	32.0	140	10.0	9.0
MB-TNG	2B	15.0	21.0	49.0	37.0	160	13.0	12.0
MB-TNG	3B	18.0	25.0	58.0	43.0	190	15.0	14.0

MB-THG

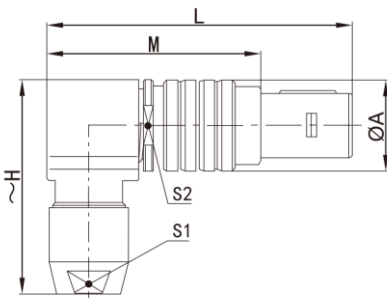
Cable mounted elbow plug, 90°, key (G) or keys (A...M), cable collet



Reference		Dimensions (mm)							
Model	Series	A	D	H	L	M	S1	S2	S3
MB-THG	0B	11.0	6.5	23.5	26.5	16.5	10.0	7.0	8.0
MB-THG	1B	13.5	8.0	30.5	36.0	25.0	1.0	9.0	10.0
MB-THG	2B	16.5	9.0	40.0	37.7	25.6	14.0	12.0	13.0
MB-THG	3B	19.0	10.0	37.0	50.0	35.0	17.0	14.0	14.0

MB-TSG

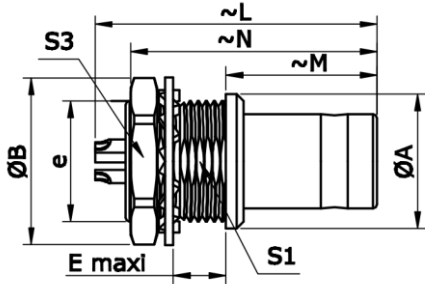
Adjustable right angle Anglissimo plug (8 selective positions) with cable collet, key (G) or keys (A..), standard nut or nut for fitting a bend relief



Reference		Dimensions(mm)					
Model	Series	A	H	L	M	S1	S2
MB-TSG	00B	8.0	18.1	24.8	16.8	5	7
MB-TSG	0B	10.0	22.4	30.3	20.3	7	9
MB-TSG	1B	12.0	26.4	36.5	25.5	9	11
MB-TSG	2B	16.5	34.5	44.0	32.0	12	15

MB-TAG

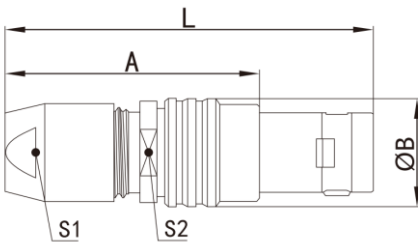
Panel mount fixed plug, non-latching, nut fixing, key (G) or keys (A...M)



Reference		Dimensions(mm)								
Model	Series	A	B	e	E	L	M	N	S1	S3
MB-TAG	0B	10.0	12.4	M9*0.6	4.2	20.8	11.5	18.9	8.2	11.0
MB-TAG	1B	14.0	15.8	M12*1.0	5.4	25.2	12.5	21.6	10.5	14.0
MB-TAG	2B	18.0	19.2	M15*1.0	6.0	28.7	13.8	23.9	13.5	17.0
MB-TAG	3B	22.0	25.0	M18*1.0	5.8	32.1	17.0	30.2	16.5	22.0

MB-DGG

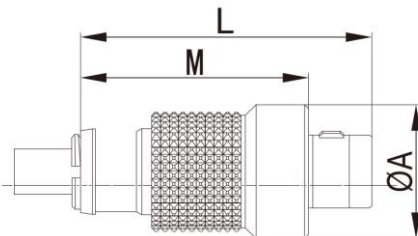
Straight plug short with cable collet, key (G) or keys (A....), standard nut or nut for fitting a bend relief available



Reference		Dimensions (mm)				
Model	Series	L	A	φB	S1	S2
MB-DGG	0B	≈32	≈22	9.5	7	8

MB-TVG

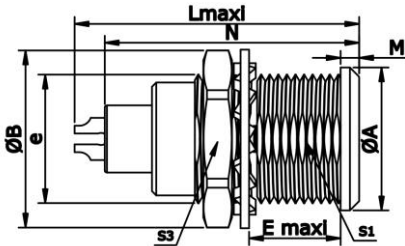
Straight plug, keys(B), short shell for special cable crimping and for fitting a silicone bend relief



Reference		Dimensions (mm)		
Model	Series	L	A	M
MB-TVG	00B	9	20	15.4

MB-ZGG

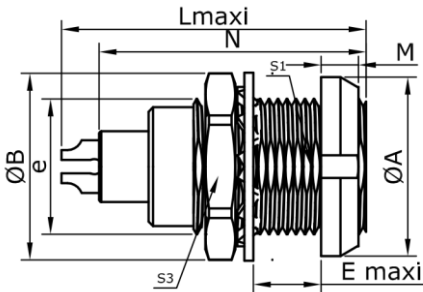
Panel mount fixed receptacle, nut fixing, key (G) or keys (A...M)



Reference		Dimensions(mm)								
Model	Series	A	B	e	E	L	M	N	S1	S3
MB-ZGG	00B	8.0	10.2	M7*0.5	6.0	15.5	1.0	13.7	6.3	9.0
MB-ZGG	0B	10.0	12.4	M9*0.6	7.0	20.7	1.2	19.1	8.2	11.0
MB-ZGG	1B	14.0	15.8	M12*1.0	7.5	23.0	1.5	21.1	10.5	14.0
MB-ZGG	2B	18.0	19.2	M15*1.0	8.5	26.7	1.8	24.6	13.5	17.0
MB-ZGG	3B	21.8	25.0	M18*1.0	11.5	37.1	2.0	24.6	16.5	22.0

MB-ZCG

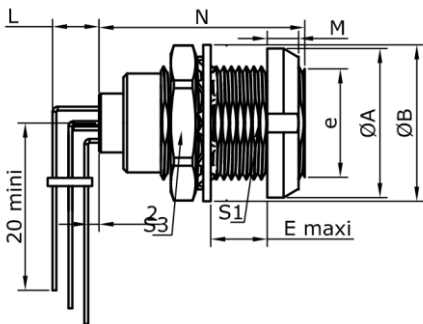
Panel mount receptacle with two screw nuts, key (G) or keys (A...M), back panel mounting



Reference		Dimensions(mm)								
Model	Series	A	B	e	E	L	M	N	S1	S3
MB-ZCG	00B	10.0	10.2	M7*0.5	4.3	13.7	2.5	13.7	6.3	9.0
MB-ZCG	0B	12.0	12.4	M9*0.6	5.5	20.7	2.5	16.4	8.2	11.0
MB-ZCG	1B	16.0	15.8	M12*1.0	6.0	23.0	3.5	19.8	10.5	14.0
MB-ZCG	2B	20.0	19.2	M15*1.0	6.5	26.7	3.5	20.2	13.5	17.0
MB-ZCG	3B	24.0	25.0	M18*1.0	9.0	37.7	4.5	25.8	16.5	22.0

MB-ZCG

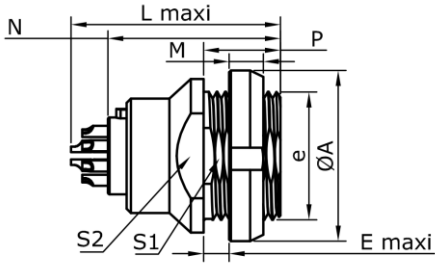
Panel mount fixed receptacle with two screw nuts, key (G) or keys (A...M), elbow 90° contact for printed circuit



Reference		Dimensions(mm)								
Model	Series	A	B	e	E	M	N	S1	S3	
MB-ZCG	0B	12.0	12.4	M9*0.6	5.5	2.5	18.3	8.2	11.0	
MB-ZCG	1B	16.0	15.8	M12*1.0	6.0	3.5	20.3	10.5	14.0	
MB-ZCG	2B	20.0	19.2	M15*1.0	6.5	3.5	22.3	13.5	17.0	
MB-ZCG	3B	24.0	25.0	M18*1.0	9.0	4.5	25.8	16.5	22.0	

MB-ZEG

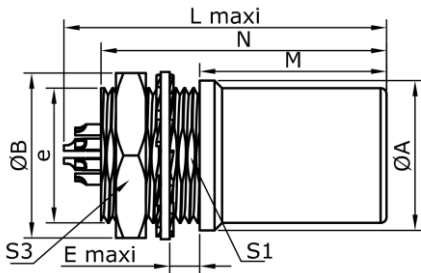
Panel mount fixed receptacle, nut fixing, key (G) or keys (A...M), back panel mounting



Reference		Dimensions(mm)									
Model	Series	A	B	e	E	L	M	N	P	S1	S3
MB-ZEG	00B	10.0	9.5	M7*0.5	2.3	15.5	2.5	13.7	6.0	6.3	7.5
MB-ZEG	0B	12.0	12.5	M9*0.6	2.4	20.7	2.5	19.1	6.3	8.2	9.0
MB-ZEG	1B	16.0	16.0	M12*1.0	6.5	23.0	3.5	21.1	11.0	10.5	13.0
MB-ZEG	2B	20.0	20.0	M15*1.0	3.0	26.7	3.5	24.6	9.0	13.5	15.0

MB-ZHG

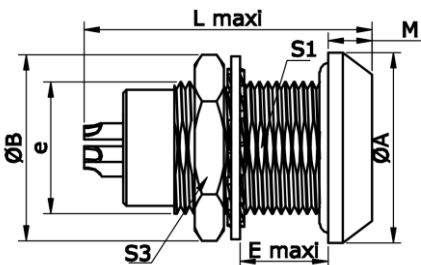
Panel mount fixed receptacle, nut fixing, key (G) or keys (A...M) and protruding shell



Reference		Dimensions(mm)									
Model	Series	A	B	e	E	L	M	N	S1	S3	
MB-ZHG	0B	10.0	12.4	M9*0.6	2.0	19.5	12.5	19.1	8.2	11.0	
MB-ZHG	1B	14.0	15.8	M12*1.0	4.0	21.7	12.0	21.1	10.5	14.0	
MB-ZHG	2B	18.0	19.2	M15*1.0	5.1	22.7	12.5	24.6	13.5	17.0	

MB-MGG

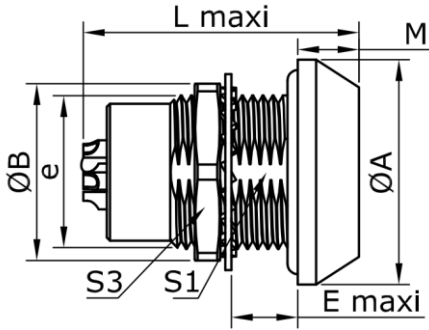
Panel mount sealed fixed receptacle, nut fixing, key (G) or keys (A...M)



Reference		Dimensions(mm)									
Model	Series	A	B	e	E	L	M	S1	S3		
MB-MGG	0B	13.0	12.4	M9*0.6	7.0	21.5	3.0	8.2	11.0		
MB-MGG	1B	18.0	15.8	M12*1.0	7.0	26.6	4.5	10.5	14.0		
MB-MGG	2B	20.0	19.2	M15*1.0	8.0	31.6	4.0	13.5	17.0		

MB-MHG

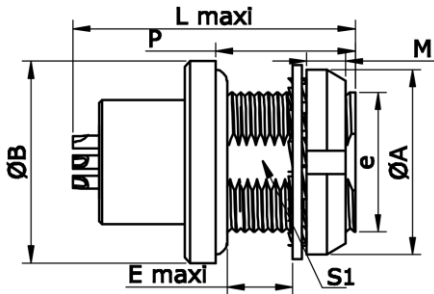
Panel mounted sealed fixed receptacle, nut fixing, key (G) or keys (A...M)



Reference		Dimensions(mm)								
Model	Series	A	B	e	E	L	M	S1	S3	
MB-MHG	0B	13.0	12.4	M9*0.6	7.0	23.2	4.8	8.2	11.0	
MB-MHG	1B	18.0	15.8	M12*1.0	7.0	30.3	5.2	10.5	14.0	
MB-MHG	2B	20.0	19.2	M15*1.0	8.0	35.6	6.0	13.5	17.0	

MB-MEG

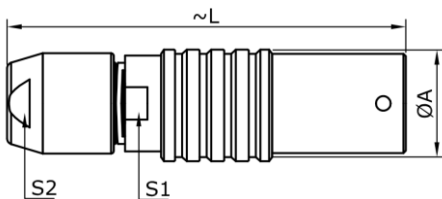
Panel mounted sealed fixed receptacle, nut fixing, key (G) or keys (A...M), back panel mounting



Reference		Dimensions(mm)								
Model	Series	A	B	e	E	L	M	P	S1	S3
MB-MEG	0B	12.0	13.0	M9*0.6	2.5	20.2	2.5	9.0	8.2	-
MB-MEG	1B	16.0	18.0	M12*1.0	5.5	26.6	3.5	11.0	10.5	-
MB-MEG	2B	20.0	20.0	M15*1.0	6.5	31.6	3.5	9.6	13.5	15.0

MB-DHG

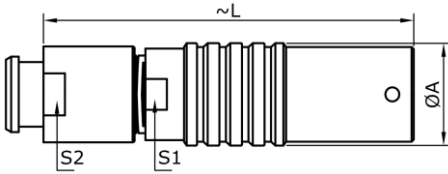
Cable mount receptacle, key (G) or keys (A...M), cable collet



Reference		Dimensions(mm)			
Model	Series	A	L	S1	S1
MB-DHG	00B	7.0	27.5	5.5	5.0
MB-DHG	0B	9.5	35.5	8.0	7.0
MB-DHG	1B	12.5	40.5	10.0	9.0
MB-DHG	2B	16.5	47.0	13.0	12.0
MB-DHG	3B	19.0	56.0	15.0	14.0

MB-DHG

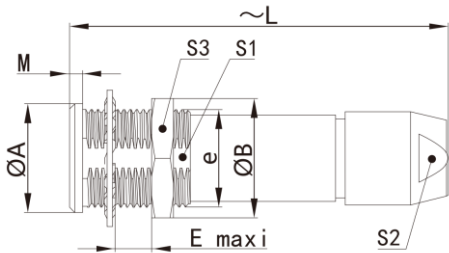
Cable mount receptacle, key (G) or keys (A...M), cable collet and nut for fitting a bend relief



Reference		Dimensions(mm)			
Model	Series	A	L	S1	S2
MB-DHG	00B	7.0	30.0	5.5	5.0
MB-DHG	0B	9.5	35.5	8.0	8.0
MB-DHG	1B	12.5	40.5	10.0	9.0
MB-DHG	2B	16.5	47.0	13.0	12.0
MB-DHG	3B	19.0	56.0	15.0	14.0

MB-RKG

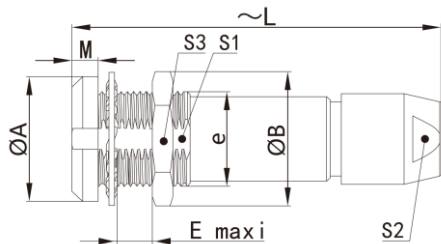
Fixed socket, nut fixing, key (G) or keys (A...),cable collet



Reference		Dimensions(mm)								
Model	Series	A	B	e	E	L	M	S1	S2	S3
MB-RKG	00B	8	10.2	M7*0.5	6.5	26.0	1.0	6.3	5	9
MB-RKG	0B	10	12.4	M9*0.6	7.0	35.5	1.2	8.2	7	11
MB-RKG	1B	14	15.8	M12*1.0	7.5	40.5	1.5	10.5	9	14
MB-RKG	2B	18	19.2	M15*1.0	8.5	47.0	1.8	13.5	12	17
MB-RKG	3B	22	25.0	M18*1.0	11.5	56.0	2.0	16.5	14	22

MB-RFG

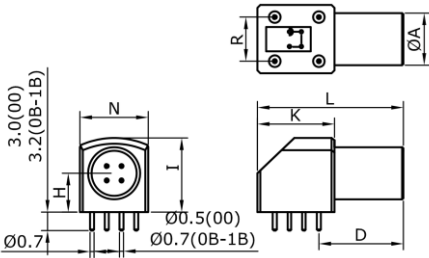
Fixed socket with two nuts, key (G) or keys (A...), cable collet (back panel mounting)



Reference		Dimensions(mm)								
Model	Series	A	B	e	E	L	M	S1	S2	S3
MB-RFG	00B	10	10.0	M7*0.5	5.3	26.0	2.5	6.3	5	9
MB-RFG	0B	12	12.4	M9*0.6	5.0	35.5	2.5	8.2	7	11
MB-RFG	1B	16	15.8	M12*1.0	5.0	40.5	3.5	10.5	9	14
MB-RFG	2B	20	19.2	M15*1.0	6.5	47.0	3.5	13.5	12	17
MB-RFG	3B	24	25.0	M18*1.0	9.0	56.0	4.5	16.5	14	22

MB-ZPG

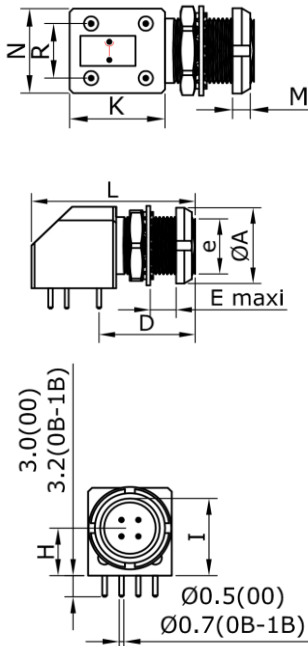
Elbow (90°) receptacle for printed circuit, key (G) or keys (A..F) (solder or screw fixing)



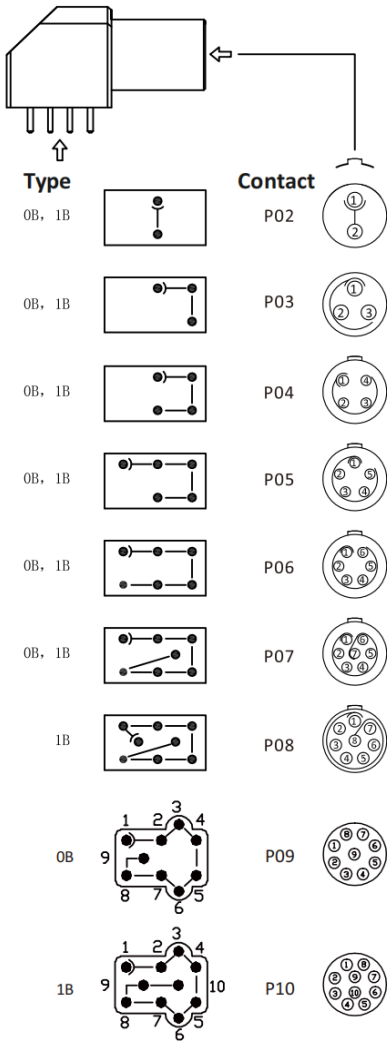
Reference	Dimensions(mm)							
Model	A	D	H	I	K	L	N	R
MB-ZPG.0B.302.HLN	9.0	14.6	6.7	12.6	13.3	25.0	11.7	7.62
MB-ZPG.0B.303.HLN								
MB-ZPG.0B.304.HLN								
MB-ZPG.0B.305.HLN								
MB-ZPG.0B.306.HLN								
MB-ZPG.0B.307.HLN								
MB-ZPG.0B.309.HLN	11.0	16.6	7.5	14.0	13.3	27.0	12.6	7.62
MB-ZPG.1B.302.HLN								
MB-ZPG.1B.303.HLN								
MB-ZPG.1B.304.HLN								
MB-ZPG.1B.305.HLN								
MB-ZPG.1B.306.HLN								
MB-ZPG.1B.307.HLN								
MB-ZPG.1B.308.HLN								
MB-ZPG.1B.309.HLN								
MB-ZPG.1B.310.HLN								

MB-ZXG

Elbow (90°) receptacle for printed circuit, key (G) or keys (A..F) (solder or screw fixing) back panel mounting



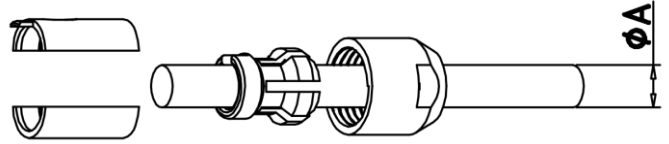
Reference	Dimensions(mm)												
Model	A	B	D	e	E	H	I	K	L	M	N	R	S3
MB-ZXG.0B.302.HLN	12.0	12.4	14.6	M9*06	6	6.7	12.6	13.3	25	2.5	117	7.62	11
MB-ZXG.0B.303.HLN													
MB-ZXG.0B.304.HLN													
MB-ZXG.0B.305.HLN													
MB-ZXG.0B.306.HLN													
MB-ZXG.0B.307.HLN													
MB-ZXG.0B.309.HLN	14	15	16.6	M11*0.5	7.5	7.5	14	13.3	27	3.5	12.6	7.62	13
MB-ZXG.1B.302.HLN													
MB-ZXG.1B.303.HLN													
MB-ZXG.1B.304.HLN													
MB-ZXG.1B.305.HLN													
MB-ZXG.1B.306.HLN													
MB-ZXG.1B.307.HLN													
MB-ZXG.1B.308.HLN													
MB-ZXG.1B.309.HLN													
MB-ZXG.1B.310.HLN													



Electrical

Model	Shell Size	Contact No.	Test voltage (contact-contact) K/V rms	Test voltage (contact-shell) K/V rms	Rated Current (A)
MB-ZPG-ZXG	OB	302	1.45	1.20	4.5
MB-ZPG-ZXG	OB	303	1.70	1.60	4.5
MB-ZPG-ZXG	OB	304	1.30	1.10	4.5
MB-ZPG-ZXG	OB	305	1.25	1.20	4.5
MB-ZPG-ZXG	OB	306	1.25	1.20	2.5
MB-ZPG-ZXG	OB	307	1.00	1.20	2.0
MB-ZPG-ZXG	OB	309	0.60	0.50	1.5
MB-ZPG-ZXG	1B	302	1.70	1.45	4.5
MB-ZPG-ZXG	1B	303	1.60	1.85	4.5
MB-ZPG-ZXG	1B	304	1.70	1.80	4.5
MB-ZPG-ZXG	1B	305	1.30	1.55	4.5
MB-ZPG-ZXG	1B	306	1.35	1.45	4.5
MB-ZPG-ZXG	1B	307	1.45	1.45	2.0
MB-ZPG-ZXG	1B	308	1.30	1.30	2.0
MB-ZPG-ZXG	1B	310	1.00	1.00	1.50

8. Cable Collect Size



Cable Clamp Set		Cable Collet (mm)	Cable dia Range	
Type	Code	ϕA	Max	Min
00B-022	22	2.2	2.2	>1.4
00B-027	27	2.7	2.7	>2.2
00B-030	30	3.0	3.0	>2.5

Cable Clamp Set		Cable Collet (mm)	Cable dia Range	
Type	Code	ϕA	Max	Min
0B-022	22	2.2	2.2	>1.4
0B-032	32	3.2	3.2	>2.2
0B-042	42	4.2	4.2	>3.2
0B-052	52	5.2	5.2	>4.2
0B-056	56	5.6	5.6	>4.6

Cable Clamp Set		Cable Collet (mm)	Cable dia Range	
Type	Code	ϕA	Max	Min
1B-042	42	4.2	4.2	>3.2
1B-052	52	5.2	5.2	>4.2
1B-062	62	6.2	6.2	>5.2
1B-072	72	7.2	7.2	>6.2
1B-080	80	8.0	8.0	>7.0

Cable Clamp Set		Cable Collet (mm)	Cable dia Range	
Type	Code	ϕA	Max	Min
2B-042	42	4.2	4.2	>3.2
2B-052	52	5.2	5.2	>4.2
2B-062	62	6.2	6.2	>5.2
2B-072	72	7.2	7.2	>6.2
2B-082	82	8.2	8.2	>7.2
2B-092	92	9.2	9.2	>8.2
2B-100	10	10.0	10.0	>9.0

Cable Clamp Set		Cable Collet (mm)	Cable dia Range	
Type	Code	ϕA	Max	Min
3B-062	62	6.2	6.2	>4.9
3B-072	72	7.2	7.2	>6.2
3B-082	82	8.2	8.2	>7.1
3B-092	92	9.2	9.2	>7.7
3B-100	10	10.2	10.2	>9.2
3B-110	11	11.2	11.0	>10.2
3B-120	12	12.0	12	>11.1

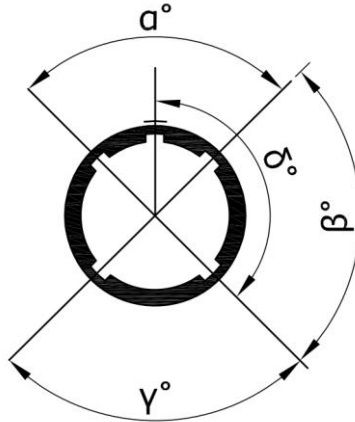
Cable Clamp Set		Cable Collet (mm)	Cable dia Range	
Type	Code	ϕA	Max	Min
4B-100	10	10	10.5	>9.0
4B-120	12	12	12.0	>10.5
4B-130	13	13	13.0	>12.0
4B-150	15	15	15.0	>13.5
4B-160	16	16	16.0	>15.0

9. Alignment Key and Polarized Key

MB-B series connector model types are composed of six letters.

The last letter indicated the key position and contact type (male or female).

Front View of Receptacle:



Code	Keys No.	Angles	Series			Code	Keys No.	Angles	Series		Contact Type		
			00	0B	1B				2B	3B	Plug	Receptacle	
G	1		0°	0°	0°	G	1		0°	0°	Male	Female	
A	2	α	30°	30°	30°	A	2	α	30°	30°	Male	Female	
B	2		60°	60°	60°	B	2		45°	45°	Male	Female	
C	2		-	90°	90°	C	2		60°	60°	Male	Female	
D	2	β	-	135°	135°	D	2	γ	95°	95°	Male	Female	
E	2		-	145°	145°	E	2		β	120°	120°	Male	Female
F	2		-	155°	155°	F	2			145°	145°	Male	Female
J	2	γ	45°	45°	45°	J	2	α	37.5°	37.5°	Female	Male	
K	2		-	70°	70°	K	2		52.5°	52.5°	Female	Male	
L	2		-	80°	80°	L	2	γ	70°	70°	Female	Male	
M	2	δ	-	110°	-	M	2	δ	-	-	Female	Male	

MB-K Series Waterproof Connectors

1. Overview

1.1 Plug



MB-TGG



MB-TGG(Z)



MB-THG



MB-THG(Z)

1.2 Receptacle



MB-ZGG



MB-ZEG



MB-ZEG
(Elbow)



MB-DHG



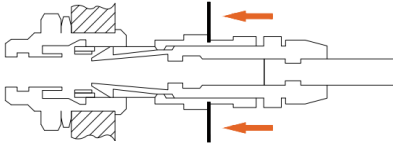
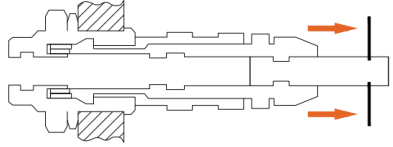
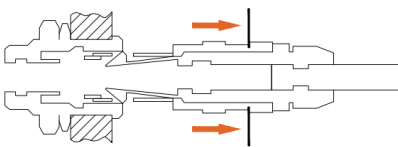
MB-DHG(Z)



MB-ZHG

2. Push-Pull Self-Latching Connection System



Drawing	Specification
	<p>Engaging</p> <p>The self-latching system allows the connector to be mated by simply pushing the plug into the receptacle.</p>
	<p>Latched</p> <p>Once firmly latched, the connection cannot be broken by pulling on the cable or any other component part other than the outer release sleeve.</p>
	<p>Disengaging</p> <p>When required, the connector is disengaged by a single axial pull on the outer release sleeve. This first disengage the latches and then withdraws the plug from the socket.</p>

3. Main Features

- Security of the push-pull latching system
- Watertight connection (IP 66 ~ IP 68)
- Multipole types 2 to 48 contacts
- Solder, crimp or print (straight or elbow) contacts
- Keying system («G» key standard) for connector alignment
- Multiple key options to avoid cross mating of similar connectors
- 360° screening for full EMC shielding
- High packing density for space savings
- Rugged housing for extreme working conditions
- Available customized cable assembly solution

4. Technical Characteristics

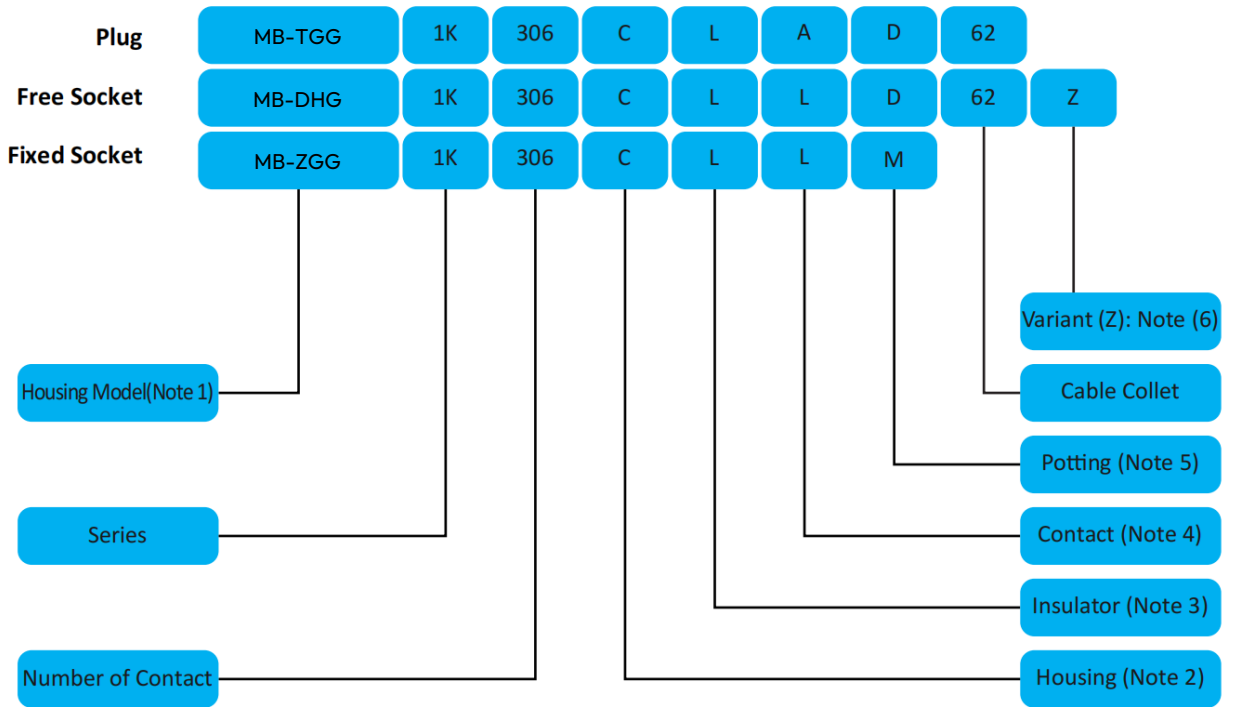
4.1 Mechanical and Climatical

Characteristics	Value	Standard
Endurance	>5000 cycles	IEC 60512-5 test 9a
Humidity	Up to 95% at 60°C	
Temperature Range	-40°C to +150°C	
Resistance to Vibration	10-2000Hz, 15g	IEC 60512-4 test 6d
Shock Resistance	100g, 6ms	IEC 60512-4 test 6c
Salt Spray Corrosion Test	>96h	IEC 60512-6 test 11f
Protection Index (mated)	IP 68	IEC 60529
Climatical category	55/175/21	IEC 60068-1

4.2 Electrical

Characteristics		Value	Standard
Shielding Efficiency	at 10 MHZ	>95 dB	IEC 60619-1-3
	at 1 GHZ	>80 dB	IEC 60619-1-3

5. Part Numbering System



***Note 1:**

To place an order for a chocolate design, please use the identifier MB12

MB-TGG.1K.306.CLAD62Z = 1K 6 pins straight plug, G key (alpha=0), pearl chrome plated brass housing, PPS insulator, male soldering contact type, 6.0 mm cable collet

MB12-TGG.1K.306.CLAD62Z = 1K 6 pins straight plug, G key (alpha=0), pearl chrome plated brass housing, PPS insulator, male soldering contact type, 6.0 mm cable collet, nut for fitting bend relief, chocolate out shell design

***Note 2:**

- C=Brass plated chrome
- K=Brass plated black chrome (At the end of the model number, adding 'R' indicates a red dot, while adding 'W' indicates a white dot.)
- N=Brass plated nickel
- T=Stainless Steel
- L=Aluminum alloy anodized

***Note 3:**

- L=PPS
- T=PTFE
- P=PEEK

***Note 4:**

- A=Male soldering contacts
- L=Female soldering contacts
- D=Male straight PCB contacts
- N=Female straight PCB contacts
- W=Male 90° PCB contacts
- V=Female 90° PCB contacts

***Note 5:**

- W=White silicone sealing
- T=Transparent epoxy resin seal

***Note 6:**

To request a model that includes a nut for fitting the bend relief, designate the variant position with the letter "Z" and include the bend relief part numbers MB-GMA.

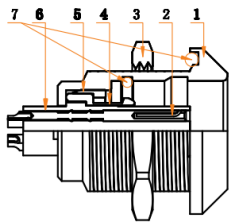
Bend relief color:

N=Black G=Gray A=Blue R=Red J=Yellow V=Green

6. Part Section Showing Internal Components

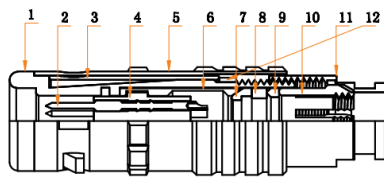
Fixed Receptacle

- ① Outer Shell
- ② Insulator
- ③ Hexagonal Nut
- ④ Retaining Ring
- ⑤ Earthing Crown
- ⑥ Female Contact
- ⑦ O-ring



Straight Plug

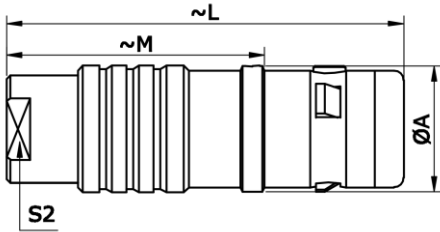
- ① Outer Shell
- ② Male Contact
- ③ Latch Sleeve
- ④ Insulator
- ⑤ Inner Shell
- ⑥ Split Insert Carrier
- ⑦ Earthing Cone
- ⑧ Gasket
- ⑨ Washer
- ⑩ Collet
- ⑪ Collet Nut
- ⑫ Retaining Ring



7. Product Size

MB-TGG

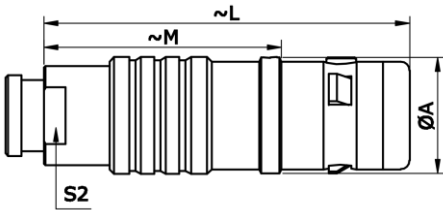
Waterproof cable mount straight plug, key (G) or keys (A... L), cable collet



Reference		Dimensions(mm)			
Model	Series	A	L	M	S2
MB-TGG	0K	11.0	34.0	23.0	7.0
MB-TGG	1K	13.0	42.0	28.0	9.0
MB-TGG	2K	16.0	52.0	36.0	12.0
MB-TGG	3K	19.0	60.0	40.0	15.0

MB-TGG

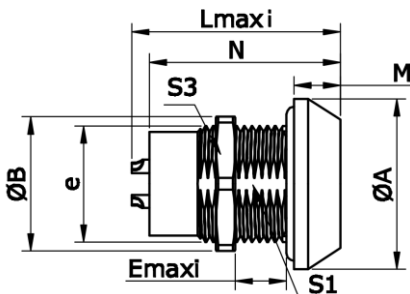
Waterproof cable mount straight plug, key (G) or keys (A... L), cable collet and nut for fitting a bend relief



Reference		Dimensions(mm)			
Model	Series	A	L	M	S2
MB-TGG	0K	11.0	34.0	23.0	7.0
MB-TGG	1K	13.0	42.0	28.0	9.0
MB-TGG	2K	16.0	52.0	36.0	12.0
MB-TGG	3K	19.0	60.0	40.0	15.0

MB-ZGG

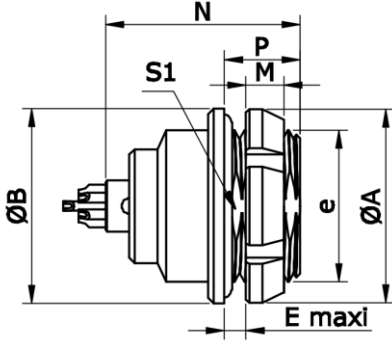
Panel mount fixed receptacle, nut fixing, key(G) or keys (A... L), solder or PCB printed type



Reference		Dimensions(mm)								
Model	Series	A	B	e	E	L	M	N	S1	S3
MB-ZGG	0K	18.0	19.2	M14 *1.0	6	21.7	4.0	20.0	12.5	17
MB-ZGG	1K	20.0	21.5	M16*1.0	9	27.0	4.5	25.1	14.5	19
MB-ZGG	2K	25.0	27.0	M20*1.0	9	30.7	5.0	28.6	18.5	24
MB-ZGG	3K	31.0	34.0	M24*1.0	11	36.2	6.0	33.6	22.5	30

MB-ZEG

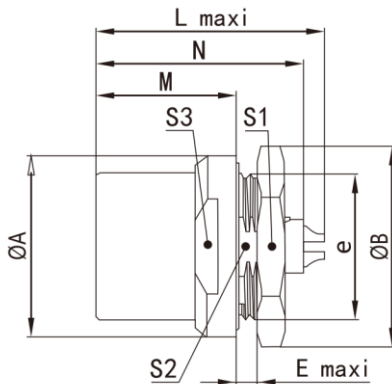
Panel mount fixed receptacle, nut fixing, key (G) or keys (A... L), solder or PCB printed type (back panel mounting)



Reference		Dimensions(mm)							
Model	Series	A	B	e	E	M	N	P	S1
MB-ZEG	OK	18.0	18.0	M14*1.0	3.4	3.5	20.1	7.0	12.5
MB-ZEG	1K	20.0	20.0	M16*1.0	6.2	3.5	25.1	10.0	14.5
MB-ZEG	2K	25.0	25.0	M20*1.0	5.0	3.5	28.6	10.0	18.5
MB-ZEG	3K	30.0	31.0	M24*1.0	7.5	4.5	33.6	12.0	22.5

MB-ZHG

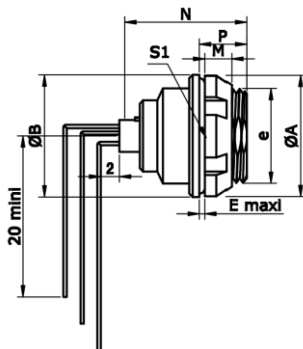
Fixed socket, nut fixing, key (G) or keys (A...), protruding shell



Reference		Dimensions(mm)									
Model	Series	A	B	e	E	L	M	N	S1	S2	S3
MB-ZHG	OK	18	19.2	M14*1.0	1.5	21.7	10.5	20.1	15	12.5	17
MB-ZHG	1K	20	21.5	M16*1.0	1.5	27.0	15.5	25.1	17	14.5	19
MB-ZHG	2K	25	27.0	M20*1.0	1.5	30.7	17.0	27.1	20	18.5	24

MB-ZEG (Elbow)

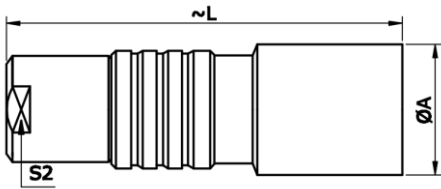
Panel mount fixed receptacle, nut fixing, key (G) or keys (A... L), elbow 90° contact for printed circuit (back panel mounting)



Reference		Dimensions(mm)							
Model	Series	A	B	e	E	M	N	P	S1
MB-ZEG	OK	18.0	18.0	M14*1.0	3.4	3.5	20.1	7.0	12.5
MB-ZEG	1K	20.0	20.0	M16*1.0	6.2	3.5	25.1	10.0	14.5
MB-ZEG	2K	25.0	25.0	M20*1.0	5.0	3.5	28.6	10.0	18.5
MB-ZEG	3K	30.0	31.0	M24*1.0	7.5	4.5	33.6	12.0	22.5

MB-DHG

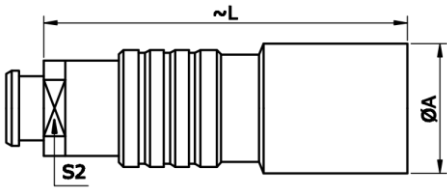
Free cable mounted receptacles, key (G) or keys (A... L), cable collet



Reference		Dimensions(mm)		
Model	Series	A	L	S2
MB-DHG	0K	13.0	34.0	7.0
MB-DHG	1K	15.0	45.0	9.0
MB-DHG	2K	19.0	54.0	12.0
MB-DHG	3K	23.0	64.0	15.0

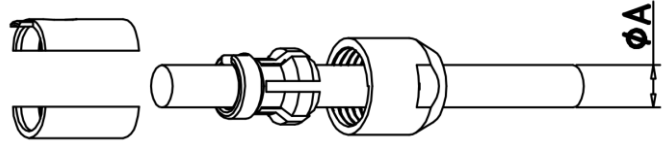
MB-DHG(Z)

Free cable mounted receptacles, key (G) or keys (A... L), cable collet and nut for fitting a bend relief



Reference		Dimensions(mm)		
Model	Series	A	L	S2
MB-DHG	0K	13.0	34.0	7.0
MB-DHG	1K	15.0	45.0	9.0
MB-DHG	2K	19.0	54.0	12.0
MB-DHG	3K	23.0	64.0	15.0

8. Cable Collect Size



Cable Clamp Set		Cable Collet (mm)	Cable dia Range	
Type	Code	A	Max	Min
OK-022	22	2.2	2.2	>1.4
OK-032	32	3.2	3.2	>2.2
OK-042	42	4.2	4.2	>3.2
OK-052	52	5.2	5.2	>4.2

Cable Clamp Set		Cable Collet (mm)	Cable dia Range	
Type	Code	A	Max	Min
1K-042	42	4.2	4.2	>3.2
1K-052	52	5.2	5.2	>4.2
1K-062	62	6.2	6.2	>5.2
1K-072	72	7.2	7.2	>6.2
1K-080	80	8.0	8.0	>7.0

Cable Clamp Set		Cable Collet (mm)	Cable dia Range	
Type	Code	A	Max	Min
2K-042	42	4.2	4.2	>3.2
2K-052	52	5.2	5.2	>4.2
2K-062	62	6.2	6.2	>5.2
2K-072	72	7.2	7.2	>6.2
2K-082	82	8.2	8.2	>7.2
2K-092	92	9.2	9.2	>8.2
2K-100	10	10.0	10.0	>9.0

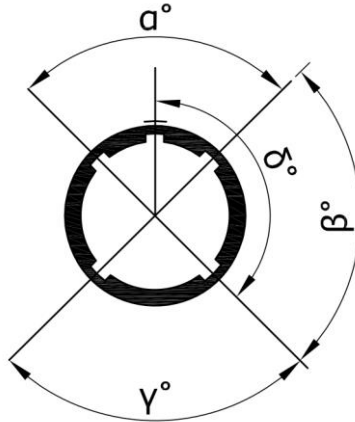
Cable Clamp Set		Cable Collet (mm)	Cable dia Range	
Type	Code	A	Max	Min
3K-062	62	6.2	6.2	>4.9
3K-072	72	7.2	7.2	>6.2
3K-082	82	8.2	8.2	>7.1
3K-092	92	9.2	9.2	>7.7
3K-100	10	10.2	10.2	>9.2
3K-110	11	11.2	11.0	>10.2
3K-120	12	12.0	12.0	>11.1

9. Alignment Key and Polarized Key

INT-B series connector model types are composed of six letters.

The last letter indicated the key position and contact type (male or female).

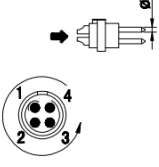
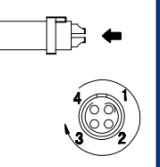






























Front View of Receptacle:



Code	Keys No.	Angles	Series				Contact Type	
			0K	1K	2K	3K	Plug	Receptacle
G	1		0°	0°	0°	0°	Male	Female
A	2	α	30°	30°	30°	30°	Male	Female
B	2		45°	45°	45°	45°	Male	Female
C	2		60°	60°	60°	60°	Male	Female
D	2	γ	95°	95°	95°	95°	Male	Female
E	2	β	120°	120°	120°	120°	Male	Female
F	2		145°	145°	145°	145°	Male	Female
L	2	γ	75°	75°	75°	75°	Female	Male

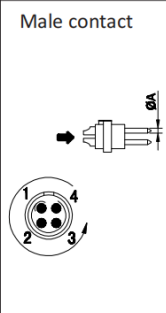
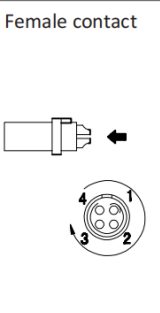



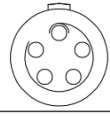

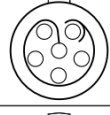
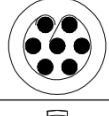
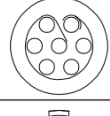
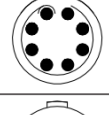
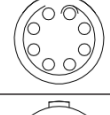
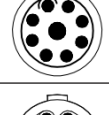
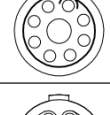
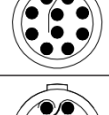
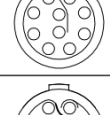
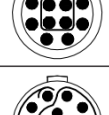
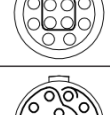

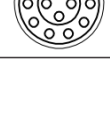
10. MB-B and MB-K Series Multipole Layout




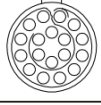

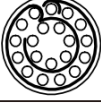

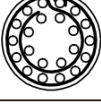



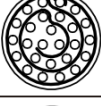
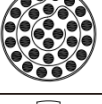
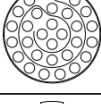

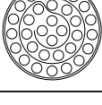
See page 30-31.

	Male Contact 	Female Contact 	Insulator	Contact No.	ØA(MM)	Contact type			Test voltage (contact - contact) K/V rms	Test voltage (contact - shell) K/V rms	Rated current (A)
						Solder contact	PCB straight contact	PCB elbow contact			
00			302	2	0.5	●	●	●	1.00	0.95	5.0
			303	3	0.5	●	●	●	0.80	0.95	3.0
			304	4	0.5	●	●	●	0.80	0.65	2.0
			305	5	0.35	●	●	●	0.70	1.0	1.70
0B 0K			302	2	0.9	●	●	●	1.30	1.05	10.0
			303	3	0.9	●	●	●	1.20	0.90	8.0
			304	4	0.7	●	●	●	0.85	0.70	7.0
			305	5	0.35	●	●	●	0.7	1.0	1.7
			306	6	0.5	●	●	●	0.85	0.65	2.5
			307	7	0.5	●	●	●	0.80	0.70	2.5
			309	9	0.5	●	●	○	0.60	0.50	2.0
1B 1K			302	2	1.3	●	●	●	1.50	1.35	15.0
			303	3	1.3	●	●	●	1.30	1.55	12.0
			304	4	0.9	●	●	●	1.35	1.45	10.0
			305	5	0.9	●	●	●	1.25	1.15	9.0

	Male contact 	Female contact 	Insulator	Contact No.	ØA(MM)	Contact type			Test voltage (contact - contact) K/V rms	Test voltage (contact - shell) K/V rms	Rated current (A)
						Solder contact	PCB straight contact	PCB elbow contact			
1B 1K			306	6	0.7	●	●	●	1.05	1.20	7.0
			307	7	0.7	●	●	●	0.95	1.05	7.0
			308	8	0.7	●	●	●	0.95	1.15	5.0
			310	10	0.5	●	●	●	0.90	1.50	2.5
			314	14	0.5	●	●	●	0.80	1.20	2.0
			316	16	0.5	●	●	○	0.80	1.25	1.5
2B 2K			302	2	2.0	●	●	●	2.10	1.75	25.0
			303	3	1.6	●	●	●	2.40	1.85	17.0
			304	4	1.3	●	●	●	1.85	1.85	15.0
			305	5	1.3	●	●	●	1.75	1.60	14.0
			306	6	1.3	●	●	●	1.35	1.45	12.0
			307	7	1.3	●	●	●	1.75	1.60	11.0

	Male contact	Female contact	Insulator	Contact No.	ØA(MM)	Contact type			Test voltage (contact - contact) K/V rms	Test voltage (contact - shell) K/V rms	Rated current (A)
						Solder contact	PCB straight contact	PCB elbow contact			
2B 2K			308	8	0.9	●	●	●	1.50	1.25	10.0
			310	10	0.9	●	●	●	1.45	1.30	8.0
			312	12	0.7	●	●	●	1.25	1.35	7.0
			314	14	0.7	●	●	●	1.15	1.35	6.5
			316	16	0.7	●	●	●	0.95	1.25	6.0
			318	18	0.9	●	●	●	1.2	1.05	7.0
			319	19	0.7	●	●	●	0.95	1.25	5.0
			326	26	0.5	●	●	○	0.95	1.30	2.0
			332	32	0.5	●	●	○	0.80	1.20	1.5
3B 3K			302	2	3.0	●	○	-	2.10	1.55	35.0
			303	3	2.0	●	●	○	1.90	1.50	25.0

	Male contact 	Female contact 	Insulator	Contact No.	øA(MM)	Contact type			Test voltage (contact - contact) K/V rms	Test voltage (contact - shell) K/V rms	Rated current (A)
						Solder contact	PCB straight contact	PCB elbow contact			
3B 3K			304	4	2.0	●	●	●	1.45	1.25	19.0
			305	5	1.6	●	●	○	1.90	1.25	19.0
			306	6	1.6	●	●	○	1.60	1.15	17.0
			307	7	1.6	●	●	○	1.70	1.25	15.0
			308	8	1.3	●	●	●	1.65	1.15	13.0
			309	8 1	1.3 2.0	●	●	-	1.35 1.35	1.05 1.05	6.0 15.0
			310	10	1.3	●	●	○	1.25	0.90	12.0
			312	12	0.9	●	●	●	1.45	1.00	9.0
			314	14	0.9	●	●	●	1.20	1.20	9.0

		316	16	0.9	●	●	●	1.20	0.85	8.0
		318	18	0.9	●	●	●	1.20	1.05	7.0
		320	20	0.7	●	●	●	1.0	0.9	6.0
		322	22	0.7	●	●	●	1.0	0.9	5.5
		324	24	0.7	●	●	●	1.2	1.45	7.0
		326	26	0.7	●	●	●	0.95	0.7	4.0
		330	30	0.7	●	●	●	0.8	0.7	3.5
		332	32	0.7	●	●	●	0.75	0.7	3.0

- First choice alternative
- Special order alternative

MB-F Series Circular Connectors

1. Overview

1.1 Plug



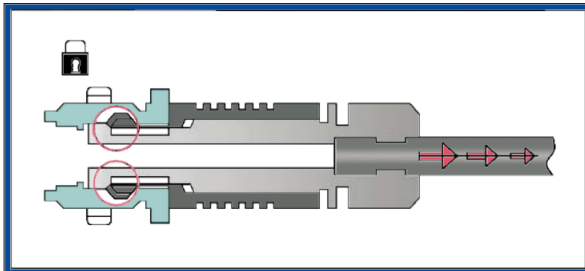
1.2 Panel Mount Receptacle



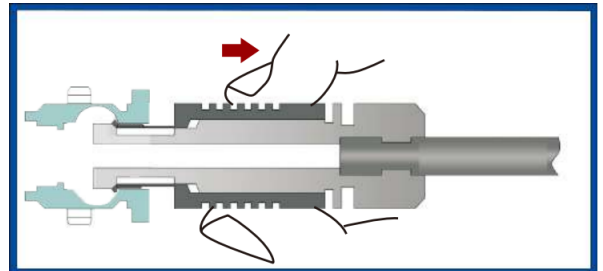
1.3 Cable Mount Receptacle



2. Push-Pull Self-Latching Connection System



Secure Locking When Cable Pulled



Pull the Outer Sleeve to Unlock

3. Main Features

- Original push-pull self-locking system
- Widely adopted by the industry
- Unparalleled signal integrity
- Fully secured against accidental disconnection
- Designed for frequent connect disconnect operations
- Ideal for compact product designs
- Locking system integrated into the connector housing
- Non-locking or emergency quick release solutions also available
- Available over-molded injection and custom cable assembly

4. Technical Characteristics

4.1 Mechanical and Climatical

Characteristics	Value	Standard
Endurance	>5000 cycles	IEC 60512-5 test 9a
Humidity	Up to 95% at 60°C	
Temperature Range	-40°C to +150°C	
Resistance to Vibration	10-2000Hz, 15g	IEC 60512-4 test 6d
Shock Resistance	100g, 6ms	IEC 60512-4 test 6c
Salt Spray Corrosion Test	>96h	IEC 60512-6 test 11f
Protection Index (mated)	IP50/IP 68	IEC 60529

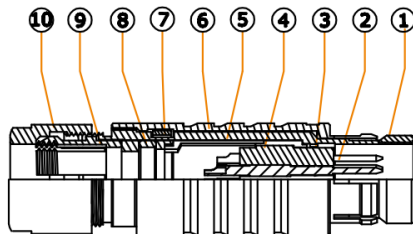
4.1 Electrical

Characteristics	Value	Standard
Shielding Efficiency	at 10 MHZ	>75 dB
	at 1 GHZ	>40 dB

5. Part Section Showing Internal Components

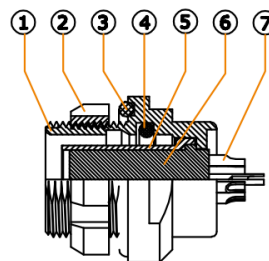
Straight Plug

- ① Latch Sleeve
- ② Male Contact
- ③ Insulator
- ④ Fixed Spacer
- ⑤ Inner Shell
- ⑥ Outer Shell
- ⑦ Gasket
- ⑧ Retaining Ring
- ⑨ Collet
- ⑩ Collet Nut

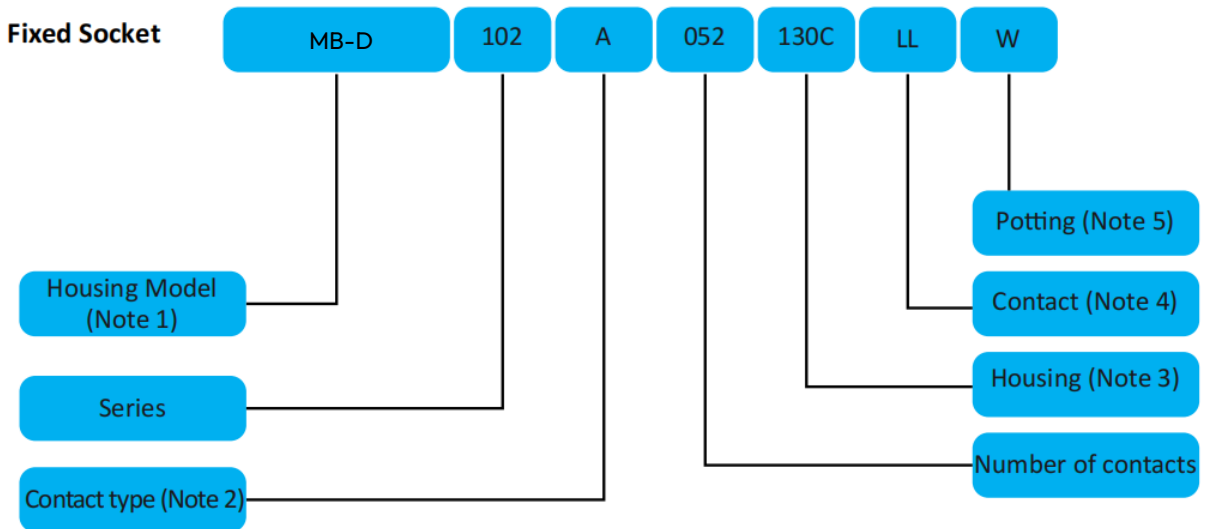
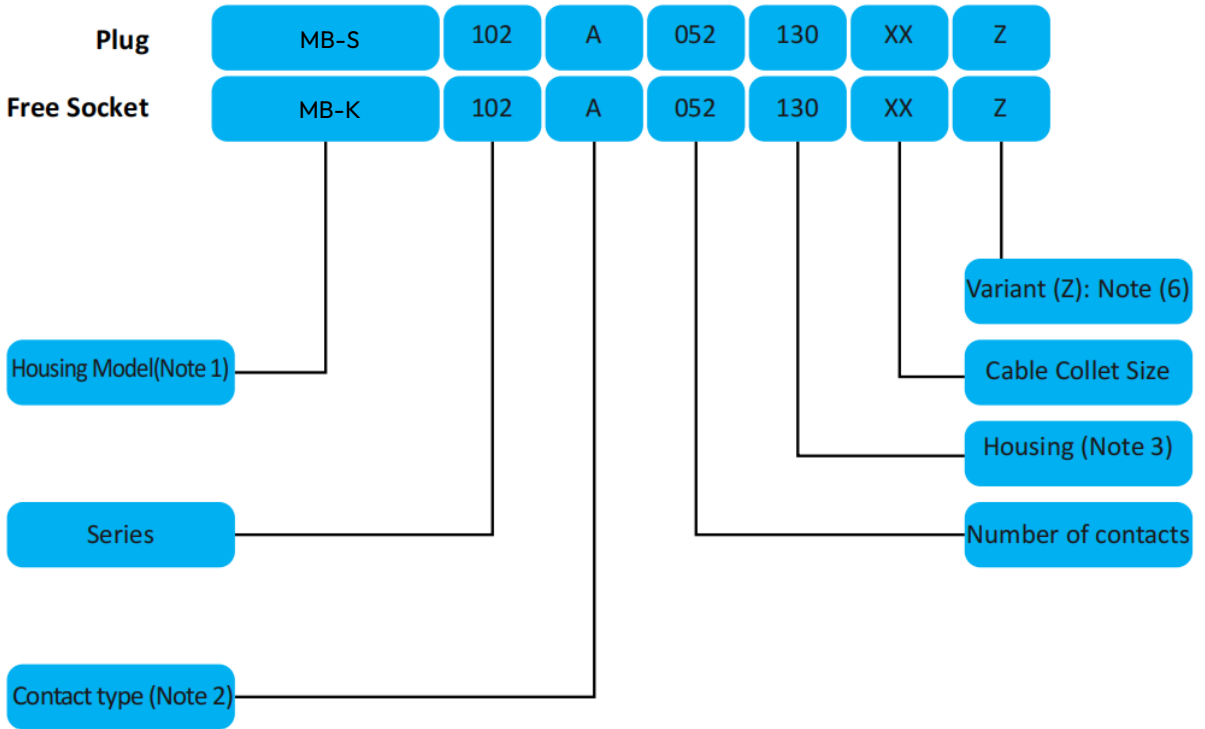


Receptacle

- ① Outer Shell
- ② Hexagonal Nut
- ③ Outer O-ring
- ④ Inside O-ring
- ⑤ Retaining Ring
- ⑥ Insulator
- ⑦ Female Contacts



6. Part Numbering System



***Note 1:**

MB-S102A052-13050Z = 0F 3 pins straight plug, code 1, pearl chrome plated brass housing, red dot, PPS insulator, male soldering contact type, 5.0 mm cable collet, nut for fitting bend relief.

MB-K103A053-14060 = 1F 4 pins free receptacle, code 1, black chrome plated brass housing, white dot, PPS insulator, female soldering contact type, 6.0 mm cable collet.

MB-D104A054-240KLL = 2F 5 pins panel mounted socket, code 2, black chrome plated brass housing, white dot, PPS insulator, female soldering contact type, nut fixed.

***Note 2:**

A = Male contacts on plug and Female contacts on receptacle

Z = Female contacts on plug and Male contacts on receptacle

***Note 3:**

130C=Brass plated pearl chrome, code 1

140K=Brass plated black chrome, code 1 (At the end of the model number, adding 'R' indicates a red dot, while adding 'W' indicates a white dot.)

230C=Brass plated pearl chrome, code 2

240K=Brass plated black chrome, code 2 (At the end of the model number, adding 'R' indicates a red dot, while adding 'W' indicates a white dot.)

330C=Brass plated pearl chrome, code 3

340K=Brass plated black chrome, code 3 (At the end of the model number, adding 'R' indicates a red dot, while adding 'W' indicates a white dot.)

To request a ground tab, designate the letter "G" after 130, eg: MB-D104A054-240GKLL

***Note 4:**

A=Male soldering contacts

L=Female soldering contacts

D=Male straight PCB contacts

N=Female straight PCB contacts

W=Male 90° PCB contacts

V=Female 90° PCB contacts

***Note 5:**

W=White silicone sealing

T=Transparent epoxy resin seal

***Note 6:**

To request a model that includes a nut for fitting the bend relief, designate the variant position with the letter "Z" and include the bend relief part numbers MB-GMA.

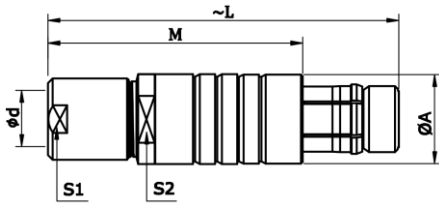
Bend relief color:

N=Black G=Gray A=Blue R=Red J=Yellow V=Green

7. Product Size

MB-S

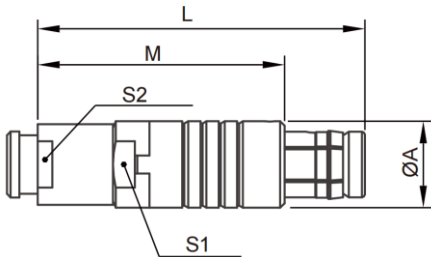
Cable mount plug, code (1, 2, 3), cable collet



Reference		Dimensions(mm)				
Model	Series	A	M	L	S1	S2
MB-S	0F	9.4	26	37.2	8	8
MB-S	1F	12	34	45	9	10
MB-S	1.5F	13	36	46	12	11
MB-S	2F	15	36	48	13	13
MB-S	3F	8.7	43.4	58	16	17

MB-S

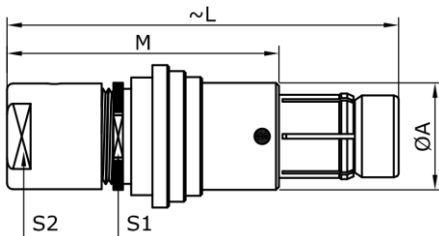
Cable mount plug, code (1, 2, 3), cable collet, nut for fitting bend relief



Reference		Dimensions(mm)				
Model	Series	A	L	M	S1	S2
MB-S	0F	9.5	36	26	8	8
MB-S	1F	12	45	34	9	9
MB-S	1.5F	12.9	47.3	37	11	12
MB-S	2F	15	50	37.5	13	13
MB-S	3F	18.7	58	44.2	16	17

MB-SS

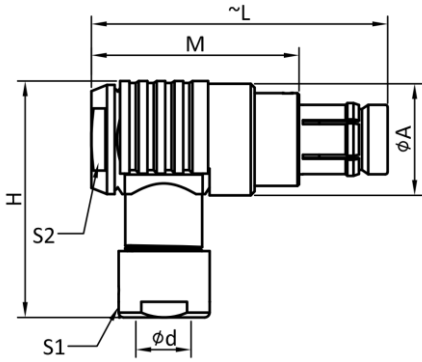
Cable mount plug, code (1, 2, 3), cable collet



Reference		Dimensions(mm)				
Model	Series	A	L	M	S1	S2
MB-SS	0F	9	33	23	8	7
MB-SS	1F	12	37	26	11	12
MB-SS	1.5F	12.3	40	30	11.5	12
MB-SS	2F	15	43	31	13	13

MB-WSO

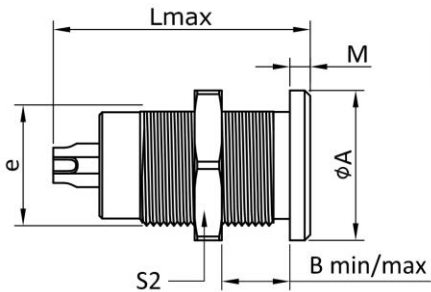
Elbow right-angle cable mount plug, code (1, 2, 3)



Reference		Dimensions(mm)					
Model	Series	A	L	M	H	S1	S2
MB-WSO	0F	12	33	23	25	7	8
MB-WSO	1F	15	38	28.7	31	10	11
MB-WSO	1.5F	17	40	30	33	12	12
MB-WSO	2F	19	45	33	37	13	14

MB-D

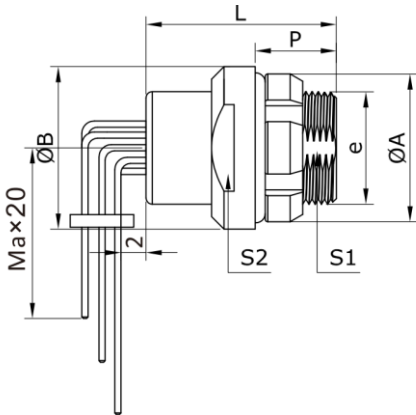
Panel mount receptacle, nut fixing, code (1, 2, 3)



Reference		Dimensions(mm)					
Model	Series	A	B	e	L	M	S2
MB-D	0F	11	0/9	M9*0.5	18.9	1.5	11
MB-D	1F	14	0/8	M12*1.0	23.9	1.5	14
MB-D	1.5F	16	0/10	M14*1.0	23.3	2	17
MB-D	2F	19	0/11	M15*1.0	25.8	2.2	17

MB-DBPC

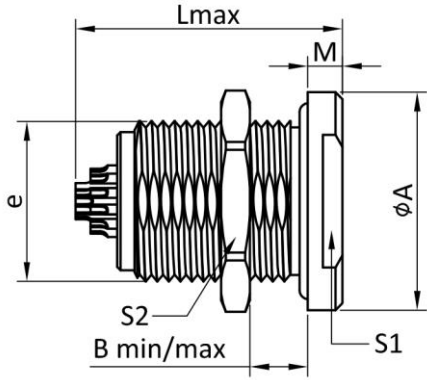
Hermetic panel mount receptacle, elbow 90°PCB contact, code (1, 2, 3)



Reference		Dimensions(mm)						
Model	Series	A	B	e	L	P	S1	S2
MB-DBPC	0F	12	14	M9*0.5	19.2	6.5	8.2	11
MB-DBPC	1F	18	18	M14*1.0	24.8	8	2.5	15
MB-DBPC	1.5F	18	19	M14*1.0	23.1	7	12	15
MB-DBPC	2F	20.8	21	M16*1.0	24.2	8	14.3	16

MB-DEE

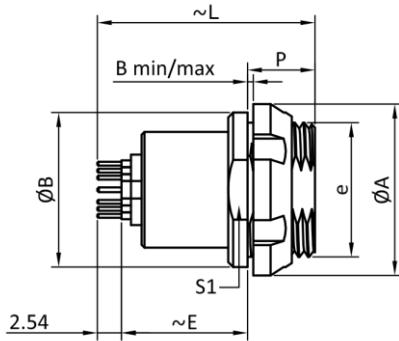
Hermetic panel mount receptacle, nut fixing, code (1, 2, 3)



Reference		Dimensions(mm)						
Model	Series	A	B	e	L	M	S1	S2
MB-DEE	0F	14	8/10	M9*0.5	20	2.5	11	11
MB-DEE	1F	18	0/12	M14*1.0	23.9	3.0	4	17
MB-DEE	1.5F	19	0/12	M14*1.0	23.3	3.0	15	17
MB-DEE	2F	20	0/13	M16*1.0	25.8	4.0	17	19

MB-DBP

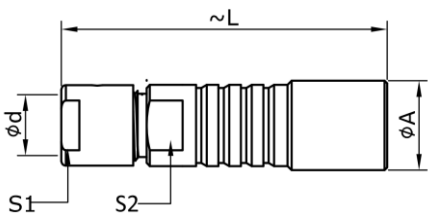
Fixed panel mount receptacle, code (1, 2, 3), solder or PCB type



Reference		Dimensions(mm)						
Model	Series	A	B	P	E	e	L	S1
MB-DBP	0F	12	0/3.5	6.5	10	M9*0.5	20	8.2
MB-DBP	1F	15	0/4.0	8.0	12	M12*1.0	23	12.5
MB-DBP	1.5F	18	0/3.0	7.0	13	M14*1.0	23	12
MB-DBP	2F	16	0/5.0	9.0	11.5	M15*1.0	26	14.3

MB-K

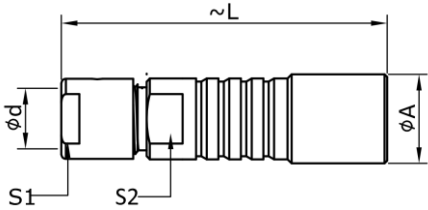
Cable mount receptacle, code (1, 2, 3), cable collet



Reference		Dimensions(mm)			
Model	Series	A	L	S1	S2
MB-K	0F	10	36	7	7
MB-K	1F	13	43	10	10
MB-K	1.5F	13.5	45	12	11
MB-K	2F	16	48	13	12

MB-KE

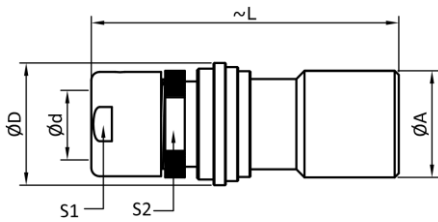
Cable sealed mount receptacle, code (1, 2, 3), cable collet



Reference		Dimensions(mm)			
Model	Series	A	L	S1	S2
MB-KE	0F	10	36	7	7
MB-KE	1F	13	43	10	10
MB-KE	1.5F	13.5	45	12	11
MB-KE	2F	16	48	13	12

MB-KS

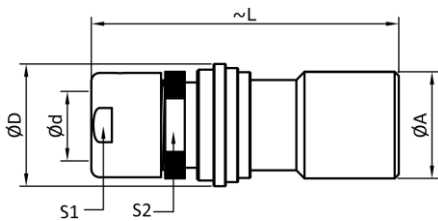
Short cable mount receptacle, code (1, 2, 3), cable collet



Reference		Dimensions(mm)					
Model	Series	A	L	M	d max	S1	S2
MB-KS	0F	10	32	23	3.8	8	8
MB-KS	1F	13	37	26	6.0	11	12
MB-KS	1.5F	13.5	36	30	6.2	11.5	12
MB-KS	2F	16	45	31	8.0	13	13

MB-KSE

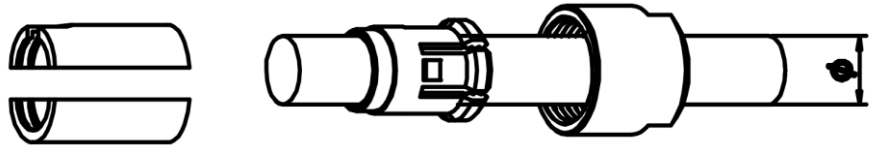
Short sealed cable mount receptacle, code (1, 2, 3), cable collet



Reference		Dimensions(mm)					
Model	Series	A	L	M	d max	S1	S2
MB-KSE	0F	10	32	23	3.8	8	8
MB-KSE	1F	13	37	26	6.0	11	12
MB-KSE	1.5F	13.5	36	30	6.2	11.5	12
MB-KSE	2F	16	45	31	8.0	13	13

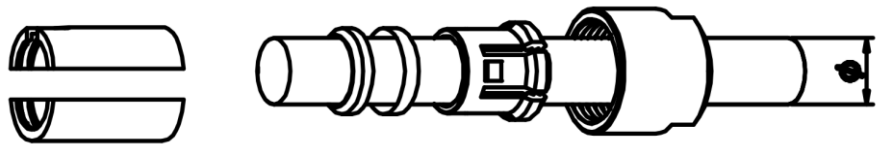
8. Cable Collect Size

MB-OF



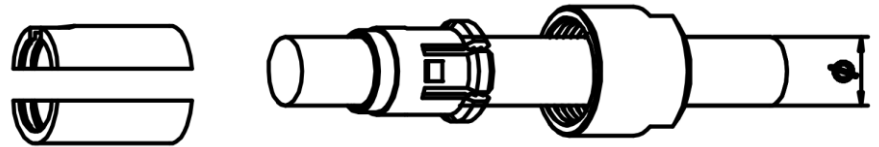
Cable dia Range	Collet Ø (mm)	Cable Clamp Set	Cable dia Range	Collet Ø (mm)	Cable Clamp Set
1.5-2.1	2.1	102 Series	3.6-4.2	4.2	102 Series
2.1-2.7	2.7	102 Series	4.2-4.7	4.7	102 Series
2.6-3.0	3.0	102 Series	4.7-5.2	5.2	102 Series
3.1-3.6	3.6	102 Series	5.0-5.5	5.5	102 Series

MB-OF



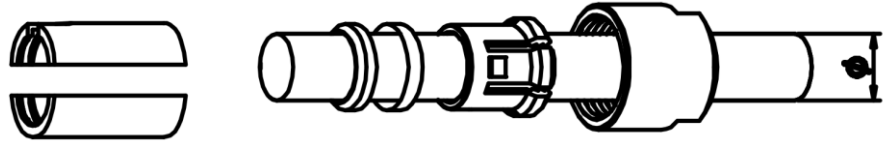
Cable dia Range	Collet Ø (mm)	Cable Clamp Set	Cable dia Range	Collet Ø (mm)	Cable Clamp Set
1.5-2.1	2.1	102 Series	3.6-4.2	4.2	102 Series
2.1-2.7	2.7	102 Series	4.2-4.7	4.7	102 Series
2.6-3.0	3.0	102 Series	4.7-5.2	5.2	102 Series
3.1-3.6	3.6	102 Series	5.0-5.5	5.5	102 Series

MB-1F



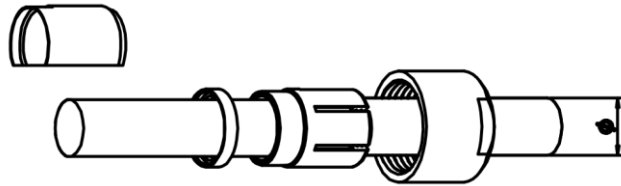
Cable dia Range	Collet Ø (mm)	Cable Clamp Set	Cable dia Range	Collet Ø (mm)	Cable Clamp Set
1.7-2.2	2.2	103 Series	4.2-4.7	4.7	103 Series
2.2-2.7	2.7	103 Series	4.7-5.2	5.2	103 Series
2.7-3.2	3.2	103 Series	5.2-5.7	5.7	103 Series
3.2-3.7	3.7	103 Series	5.7-6.2	6.2	103 Series
3.7-4.2	4.2	103 Series	6.2-7.2	7.2	103 Series

MB-1F



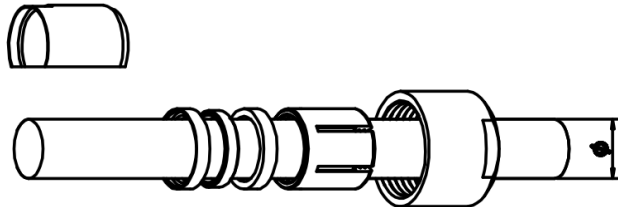
Cable dia Range	Collet Ø (mm)	Cable Clamp Set	Cable dia Range	Collet Ø (mm)	Cable Clamp Set
1.7-2.2	2.2	103 Series	4.2-4.7	4.7	103 Series
2.2-2.7	2.7	103 Series	4.7-5.2	5.2	103 Series
2.7-3.2	3.2	103 Series	5.2-5.7	5.7	103 Series
3.2-3.7	3.7	103 Series	5.7-6.2	6.2	103 Series
3.7-4.2	4.2	103 Series	6.2-7.2	7.2	103 Series

MB-1.5F



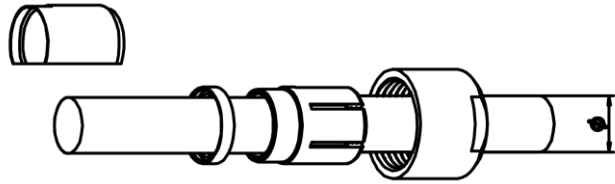
Cable dia Range	Collet Ø (mm)	Cable Clamp Set	Cable dia Range	Collet Ø (mm)	Cable Clamp Set
1.5-2.2	2.2	1031 Series	5.5-6.2	6.2	1031 Series
2.5-3.2	3.2	1031 Series	6.5-7.2	7.2	1031 Series
3.5-4.2	4.2	1031 Series	7.5-8.2	8.2	1031 Series
4.5-5.2	5.2	1031 Series			

MB-1.5F



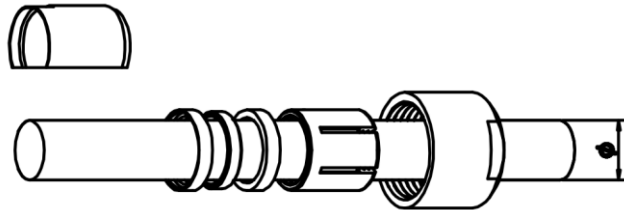
Cable dia Range	Collet Ø (mm)	Cable Clamp Set	Cable dia Range	Collet Ø (mm)	Cable Clamp Set
1.5-2.2	2.2	1031 Series	5.5-6.2	6.2	1031 Series
2.5-3.2	3.2	1031 Series	6.5-7.2	7.2	1031 Series
3.5-4.2	4.2	1031 Series	7.5-8.2	8.2	1031 Series
4.5-5.2	5.2	1031 Series			

MB-2F



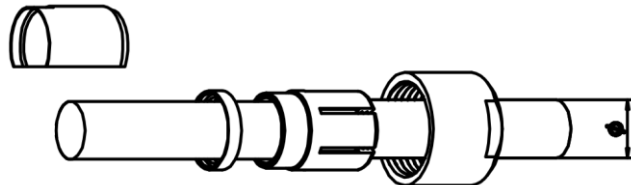
Cable dia Range	Collet Ø (mm)	Cable Clamp Set	Cable dia Range	Collet Ø (mm)	Cable Clamp Set
1.5-2.2	2.2	104 Series	5.5-6.2	6.2	104 Series
2.5-3.2	3.2	104 Series	6.5-7.2	7.2	104 Series
3.5-4.2	4.2	104 Series	7.5-8.2	8.2	104 Series
4.5-5.2	5.2	104 Series	8.5-9.2	9.2	104 Series

MB-2F



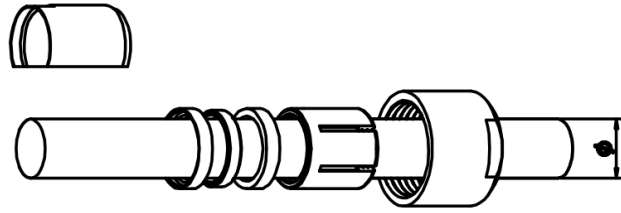
Cable dia Range	Collet Ø (mm)	Cable Clamp Set	Cable dia Range	Collet Ø (mm)	Cable Clamp Set
1.5-2.2	2.2	104 Series	5.5-6.2	6.2	104 Series
2.5-3.2	3.2	104 Series	6.5-7.2	7.2	104 Series
3.5-4.2	4.2	104 Series	7.5-8.2	8.2	104 Series
4.5-5.2	5.2	104 Series	8.5-9.2	9.2	104 Series

MB-3F



Cable dia Range	Collet Ø (mm)	Cable Clamp Set	Cable dia Range	Collet Ø (mm)	Cable Clamp Set
2.5-3.2	3.2	105 Series	7.5-8.2	8.2	105 Series
3.5-4.2	4.2	105 Series	8.5-9.2	9.2	105 Series
4.5-5.2	5.2	105 Series	9.5-10.2	10.2	105 Series
5.5-6.2	6.2	105 Series	10.5-11.2	11.2	105 Series
6.5-7.2	7.2	105 Series	11.5-12.2	12.2	105 Series

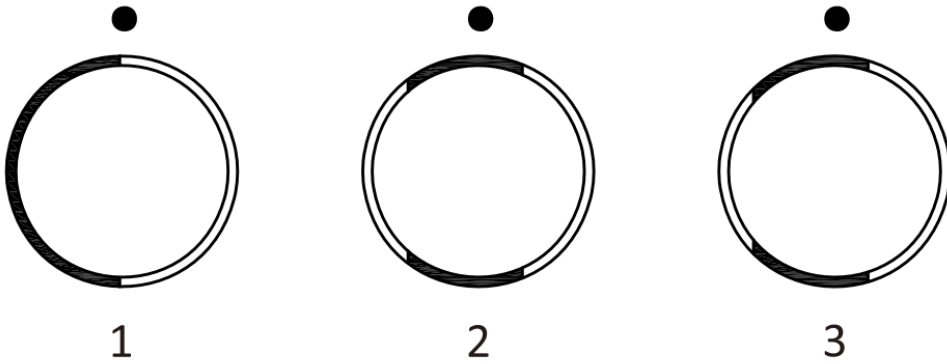
MB-3F



Cable dia Range	Collet Ø (mm)	Cable Clamp Set	Cable dia Range	Collet Ø (mm)	Cable Clamp Set
2.5-3.2	3.2	105 Series	7.5-8.2	8.2	105 Series
3.5-4.2	4.2	105 Series	8.5-9.2	9.2	105 Series
4.5-5.2	5.2	105 Series	9.5-10.2	10.2	105 Series
5.5-6.2	6.2	105 Series	10.5-11.2	11.2	105 Series
6.5-7.2	7.2	105 Series	11.5-12.2	12.2	105 Series

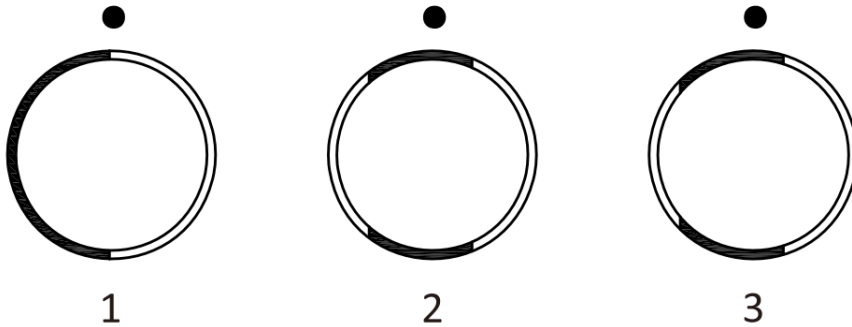
8. Code Option

Code 1 is standard



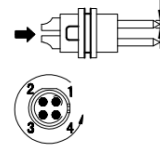
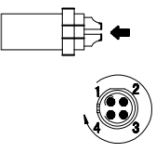
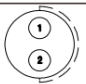
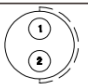

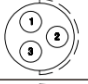
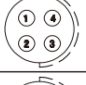
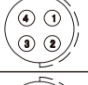
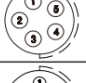
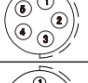
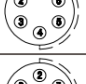
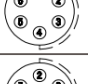
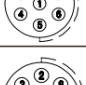
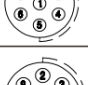
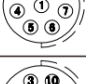
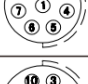
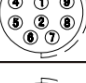
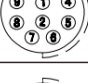




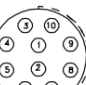
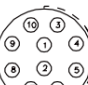




9. Code Option

Code 1 is standard

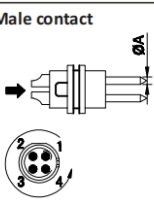
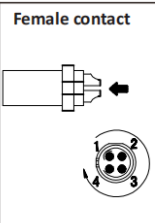
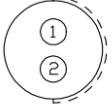
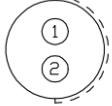
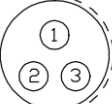
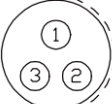




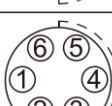
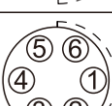




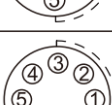
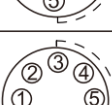
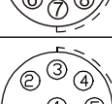
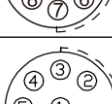
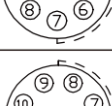
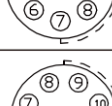
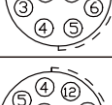
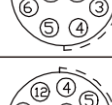


10. F Series Multipole Layout

		Male contact	Female contact	Code	Contact No.	∅A(MM)	Solder contact	PCB straight contact	PCB elbow contact	Test voltage(contact -shell)/v AC-rms	Test voltage(contact -contact)/v AC-rms	Rated current /A
OF			051	2	0.9	●	●	●	1.30	1.05	10.0	
			052	3	0.9	●	●	●	1.20	0.90	8.0	
			053	4	0.7	●	●	●	0.85	0.70	7.0	
			054	5	0.7	●	●	●	1.00	0.70	6.5	
			056	7	0.5	●	●	●	0.80	0.70	2.5	
			059	9	0.5	●	●	●	0.60	0.50	2.0	

	Male contact 	Female contact 	Code	Contact No.	ØA(MM)	Solder contact	PCB straight contact	PCB elbow contact	Test voltage(contact -shell)k/v AC-rms	Test voltage(contact -contact)k/v AC-rms	Rated current /A
1F			051	2	1.3	●	●	●	1.50	1.35	15.0
			052	3	1.3	●	●	●	1.30	1.55	12.0
			053	4	0.9	●	●	●	1.35	1.45	10.0
			054	5	0.9	●	●	●	1.25	1.15	9.0
			056	6	0.7	●	●	●	1.05	1.2	7.0
			057	7	0.7	●	●	●	0.95	1.05	7.0
			058	8	0.7	●	●	●	0.95	1.15	5.0
			010	10	0.5	●	●	●	0.90	1.50	2.5
			062	12	0.5	●	●	●	0.80	1.2	2.0
			065	16	0.5	●	●	●	0.80	1.25	1.5
1.5F			010	10	0.7	●	●	●	1.4	1.5	4.5
			012	12	0.7	●	●	●	1.4	1.5	4.2
			019	19	0.7	●	●	●	0.9		2.54

		Male contact	Female contact	Code	Contact No.	∅A(MM)	Solder contact	PCB straight contact	PCB elbow contact	Test voltage(contact -shell)/k/v AC-rms	Test voltage(contact -contact)/k/v AC-rms	Rated current /A
2F			051	2	1.6	●	○	○	1.80	2.20	20	
			040	3	1.6	●	○	○	1.6	2.0	18.0	
			037	4	1.3	●	○	○	1.80	2.20	15	
			087	5	1.3	●	○	○	1.75	2.20	14	
			065	6	0.9	●	○	○	1.7	2.0	6.5	
			054	7	0.9	●	●	●	1.50	1.80	6.5	
			066	8	0.9	●	○	○	1.50	1.50	6.20	
			055	9	1	1.3	●	●	●	2.4	2.2	12
		8			0.9	6.0						
			056	11	0.9	●	●	●	1.5	1.4	5.5	
			086	16	0.7	●	○	○	1.0	1.50	4.0	
		092	19	0.7	●	○	○	0.80	1.20	3.50		

3F	Male contact	Female contact	Code	Contact No.	ØA(MM)	Solder contact	PCB straight contact	PCB elbow contact	Test voltage(contact-shell)/v AC-rms	Test voltage(contact-contact)/v AC-rms	Rated current /A
											
			087	2P	3.0	●	●	●	2.5	3.0	25A
			052	3P	2.0	●	●	●	2.0	2.5	23A
			053	4P	2.0	●	●	●	2.0	2.5	16A
			064	5P	1.6	●	●	●	1.8	2.2	16A
			065	6P	1.6	●	●	●	1.8	2.2	16A
			066	7P	1.6	●	●	●	1.8	2.2	16A
			054	7P (6+1)	2.0 1.3	●	●	●	3.0	2.0	16A 6A
			057	8P	1.3	●	●	●	1.7	2.0	16A
			067	8P (9-1)	1.3	●	●	●	1.7	2.0	16A
			062	10P	1.3	●	●	●	1.7	2.0	16A
			069	12P	1.3	●	●	●	1.7	2.0	16A

3F	Male contact	Female contact	Code		Contact No.	ØA(MM)	Solder contact	PCB straight contact	PCB elbow contact	Test voltage(contact -shell)k/v AC-rms	Test voltage(contact -contact)k/v AC-rms	Rated current /A
			104	13P (10+3)	1.3 0.7	●	●	●	1.5	1.3	16A	
			058	15P	0.9	●	●	●	1.6	1.4	7A	
			060	16P	0.9	●	●	●	1.6	1.4	16A	
			056	16P (12+4)	1.6 0.7	●	●	●	1.6	1.3	16A	
			038	18P (19-1)	0.9	●	●	●	1.4	1.6	16A	
			086	19P	0.9	●	●	●	1.4	1.6	5A	
			093	24P	0.7	●	●	●	1.2	1.5	4A	
			102	27P	0.7	●	●	●	1.2	1.5	3A	
			122	40P	0.5	●	●	●	1.2	0.9	1A	

MB-S Series Half-Moon Connectors

1. Overview

1.1 Plug



MB-TFA



MB-TFA(Z)

1.2 Receptacle



MB-ZRA



MB-DCA



MB-DCA(Z)



MB-ZPL



MB-ZXP

2. Push-Pull Self-Latching Connection System



Drawing	Specification
	<p>Engaging</p> <p>The self-latching system allows the connector to be mated by simply pushing the plug into the receptacle.</p>
	<p>Latched</p> <p>Once firmly latched, the connection cannot be broken by pulling on the cable or any other component part other than the outer release sleeve.</p>
	<p>Disengaging</p> <p>When required, the connector is disengaged by a single axial pull on the outer release sleeve. This first disengage the latches and then withdraws the plug from the socket.</p>

3. Main Features

- Push-Pull self-latching connection system
- Solder contacts
- Multipole up to 18 contacts
- Polarization by stepped insert (half-moon) for alignment
- 360° screening for full EMC shielding
- High-density installation for saving space

4. Technical Characteristics

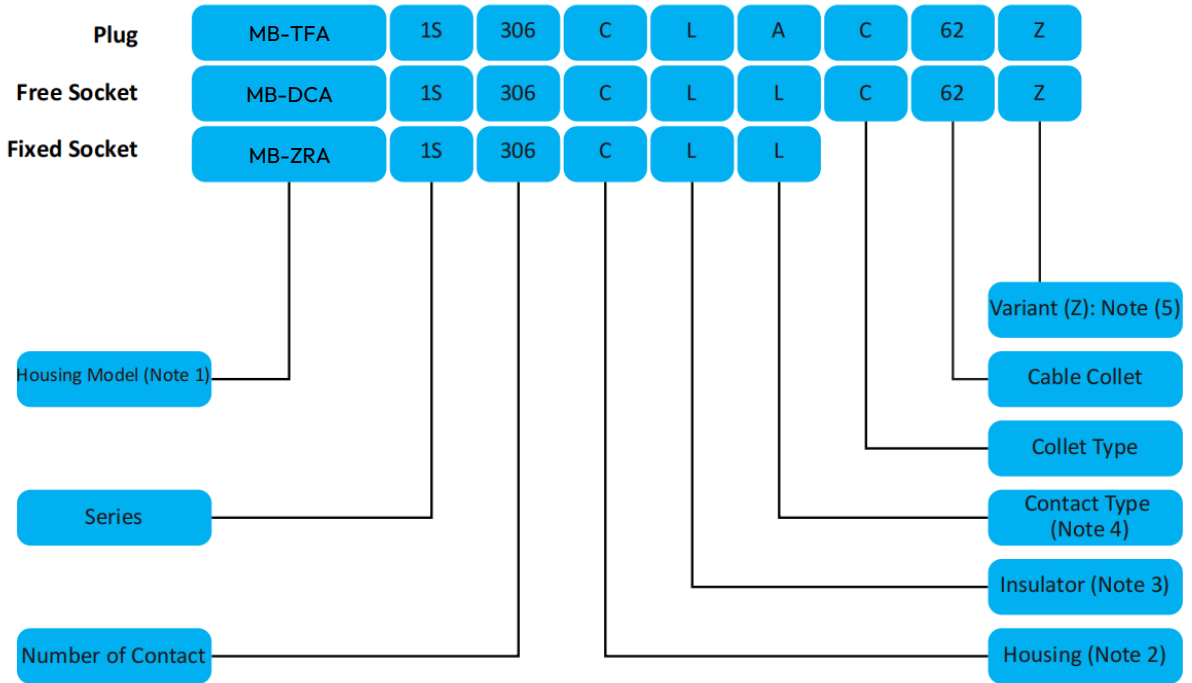
4.1 Mechanical and Climatical

Characteristics	Value	Standard
Endurance	>5000 cycles	IEC 60512-5 test 9a
Humidity	Up to 95% at 60°C	
Temperature Range	-40°C to +150°C	
Resistance to Vibration	10-2000Hz, 15g	IEC 60512-4 test 6d
Shock Resistance	100g, 6ms	IEC 60512-4 test 6c
Salt Spray Corrosion Test	>96h	IEC 60512-6 test 11f
Protection Index (mated)	IP50	IEC 60529
Climatical category	55/175/21	IEC 60068-1

4.2 Electrical

Characteristics		Value	Standard
Shielding Efficiency	at 10 MHZ	>5 dB	IEC 60619-1-3
	at 1 GHZ	>80 dB	IEC 60619-1-3

5. Part Numbering System



***Note 1:**

MB-TFA.1S.306.CLAC62 = 1S 6 pins straight plug, half-moon insert, pearl chrome plated brass housing, PPS insulator, 3 male and 3 female soldering contact type, 6.0 mm cable collet, nut for fitting bend relief

MB-DCA.1S.306.CLAC62Z = 1S 6 pins cable mounted plug, half-moon insert, pearl chrome plated brass housing, PPS insulator, 3 male and 3 female soldering contact type, 6.0 mm cable collet, nut for fitting bend relief

*NOTE: To order a model with cable collet and nut for fitting a bend relief, a letter "Z" is in the variant position.

***Note 2:**

- C=Brass plated chrome
- K=Brass plated black chrome
- N=Brass plated nickel
- T=Stainless Steel
- L=Aluminum alloy anodized
- H=ABS/Brass (only for ZPX/ZXG)

***Note 3:**

- L=PPS
- T=PTFE
- P=PEEK

***Note 4:**

- A=Male soldering contacts
- L=Female soldering contacts
- D=Male straight PCB contacts
- N=Female straight PCB contacts
- V=Female 90° PCB contacts

***Note 5:**

To request a model that includes a nut for fitting the bend relief, designate the variant position with the letter "Z" and include the bend relief part numbers MB-GMA.

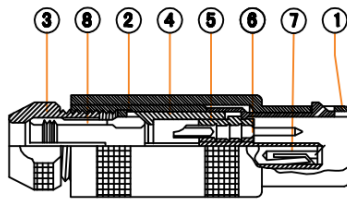
Bend relief color:

N=Black G=Gray A=Blue R=Red J=Yellow V=Green

6. Part Section Showing Internal Components

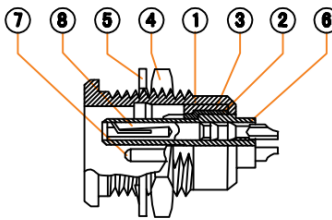
Straight Plug

- ① Outer Shell
- ② Latch Sleeve
- ③ Collet Nut
- ④ Center-Piece
- ⑤ Insulator
- ⑥ Male Contact
- ⑦ Female Contact
- ⑧ Collet



Fixed Receptacle

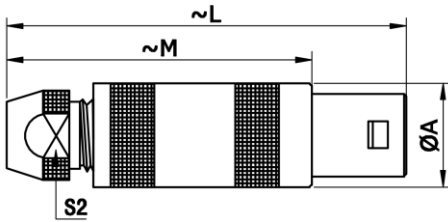
- ① Outer Shell
- ② Earthing Crown
- ③ Retaining Ring
- ④ Hexagonal Nut
- ⑤ Locking Washer
- ⑥ Insulator
- ⑦ Male Contact
- ⑧ Female Contact



7. Product Size

MB-TFA

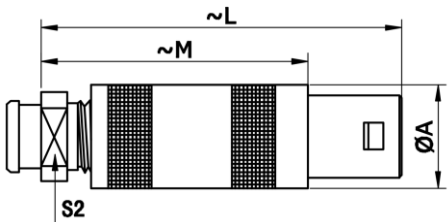
Straight plug, cable collet



Reference		Dimensions(mm)			
Model	Series	A	L	M	S2
MB-TFA	OOS	6.4	26.0	18.0	4.5
MB-TFA	OS	9.0	34.5	24.5	6.5
MB-TFA	1S	12.0	42.5	31.5	8.5
MB-TFA	2S	14.8	52.0	40.0	11.0
MB-TFA	3S	17.8	61.0	46.0	14.0

MB-TFA

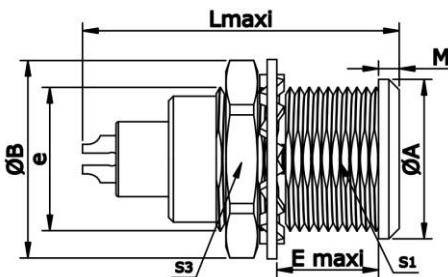
Straight plug, cable collet, nut for fitting a bend relief



Reference		Dimensions(mm)			
Model	Series	A	L	M	S2
MB-TFA	OOS	6.4	26.0	18.0	4.5
MB-TFA	OS	9.0	34.5	24.5	6.5
MB-TFA	1S	12.0	42.5	31.5	8.5
MB-TFA	2S	14.8	52.0	40.0	11.0
MB-TFA	3S	17.8	61.0	46.0	14.0

MB-ZRA

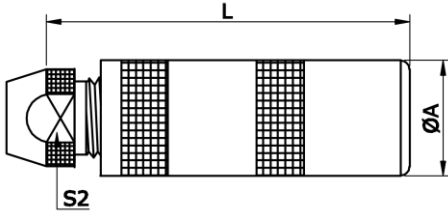
Panel mount fixed receptacle, nut fixing



Reference		Dimensions(mm)							
Model	Series	A	B	e	E	L	M	S1	S3
MB-ZRA	OOS	8.0	10.2	M7*0.5	5.5	14.5	1.0	6.3	9.0
MB-ZRA	OS	10.0	12.4	M9*0.6	7.0	7.5	1.2	8.2	11.0
MB-ZRA	1S	14.0	15.8	M12*1.0	7.5	20.2	1.5	10.5	14.0
MB-ZRA	2S	18.0	19.2	M15*1.0	8.5	24.5	1.8	13.5	17.0
MB-ZRA	3S	22.0	25.0	M18*1.0	11.5	29.0	2.0	16.5	22.0

MB-DCA

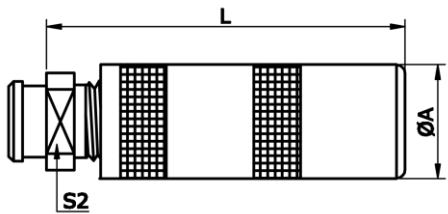
Free cable receptacle, cable collet



Reference		Dimensions(mm)		
Model	Series	A	L	S2
MB-DCA	00S	6.5	25.0	4.5
MB-DCA	0S	8.9	33.5	6.5
MB-DCA	1S	11.9	40.5	8.5
MB-DCA	2S	14.8	50.0	11.0
MB-DCA	3S	17.8	59.0	14.0

MB-DCA

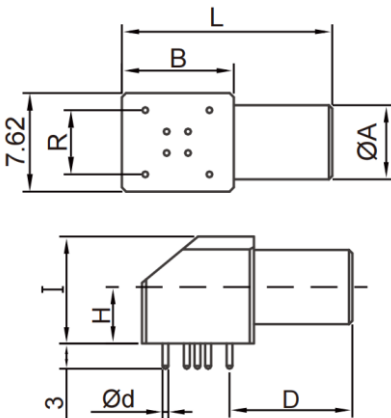
Free cable receptacle, cable collet, nut for fitting a bend relief



Reference		Dimensions(mm)		
Model	Series	A	L	S2
MB-DCA	00S	6.5	25.0	6
MB-DCA	0S	8.9	33.5	7
MB-DCA	1S	11.9	40.5	9
MB-DCA	2S	14.8	50.0	12.0
MB-DCA	3S	17.8	59.0	14.0

MB-ZPL

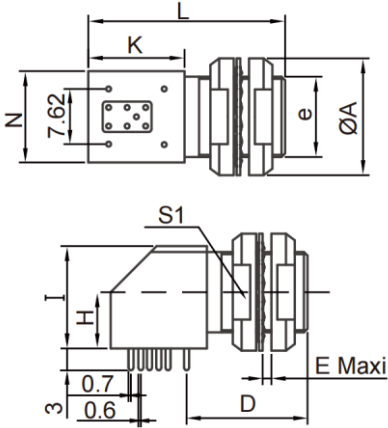
Elbow (90°) receptacle for printed circuit, solder or screw fixing



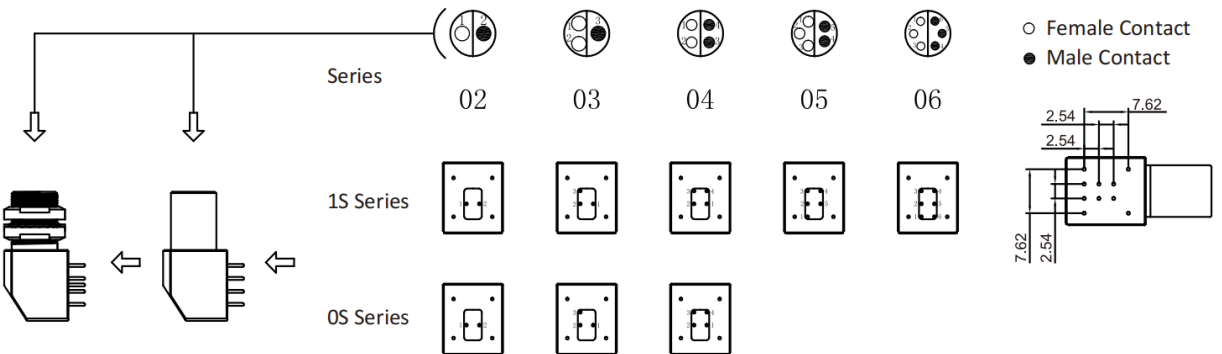
Reference		Dimensions(mm)							
Model	Series	A	B	N	I	H	D	d	L
MB-ZPL	0S	9	14.2	12	12.7	6.7	14.6	0.7	25
MB-ZPL	1S	11	13.3	13	14.2	7.5	16.6	0.7	27

MB-ZXP

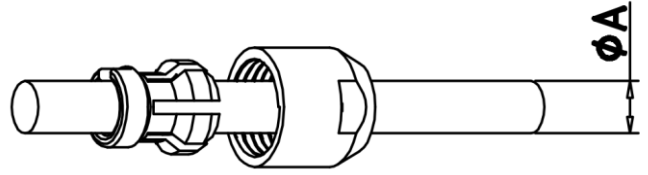
Elbow (90°) receptacle for printed circuit, solder or screw fixing, back panel mounting



Reference		Dimensions(mm)									
Model	Series	A	K	N	I	H	A	L	D	S1	e
MB-ZXP	0S	12	14.2	12	12.7	6.7	12	25	14.6	LO	M9*0.5
MB-ZXP	1S	14	13.3	13	14.2	7.5	15	27	16.6	13	M11*0.5



8. Cable Collect Size



Cable Clamp Set		Cable Collet (mm)	Cable dia Range	
Type	Code	ØA	Max	Min
OS-032	32	3.2	3.2	>2.2
OS-042	42	4.2	4.2	>3.2
OS-052	52	5.2	5.2	>4.2

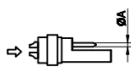
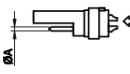
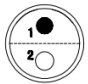
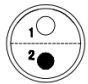






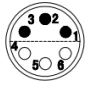
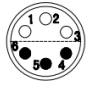
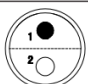


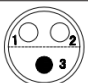



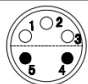
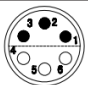
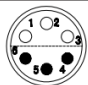



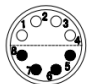
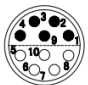
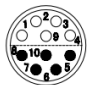
Cable Clamp Set		Cable Collet (mm)	Cable dia Range	
Type	Code	ØA	Max	Min
1S-042	42	4.2	4.2	>2.5
1S-052	52	5.2	5.2	>4.2
1S-062	62	6.2	6.2	>5.2
1S-072	72	7.2	7.2	>6.2

Cable Clamp Set		Cable Collet (mm)	Cable dia Range	
Type	Code	ØA	Max	Min
2S-042	42	4.2	4.2	>3.2
2S-052	52	5.2	5.2	>4.2
2S-062	62	6.2	6.2	>5.2
2S-072	72	7.2	7.2	>6.2
2S-082	82	8.2	8.2	>7.2
2S-087	87	8.7	8.7	>7.7

Cable Clamp Set		Cable Collet (mm)	Cable dia Range	
Type	Code	ØA	Max	Min
3S-042	42	4.2	4.2	>3.2
3S-057	57	5.7	5.7	>4.7
3S-072	72	7.2	7.2	>6.2
3S-087	87	8.7	8.7	>7.7
3S-097	97	9.7	9.7	>8.7
3S-011	11	11.0	11.0	>10.0

9. MB-S Series Multipole Layout

	Male contact	Female contact	Contact type							Test voltage (contact - contact) K/V rms	Test voltage (contact - shell) K/V rms	Rated current (A)
			Insulator	Contact No.	ØA(MM)	Solder contact	PCB straight contact	PCB elbow contact				
OS			302	2	0.9	●	●	●	1.50	2.10	10.0	
			303	3	0.7	●	●	●	1.00	1.50	7.0	
			304	4	0.7	●	●	●	1.00	1.50	7.0	

	Male contact 	Female contact 	Insulator	Contact No.	øA(MM)	Contact type			Test voltage (contact - contact) K/V rms	Test voltage (contact - shell) K/V rms	Rated current (A)
						Solder contact	PCB straight contact	PCB elbow contact			
1S			302	2	1.3	●	○	○	1.20	1.80	15.0
			303	3	0.9	●	●	○	1.20	1.80	10.0
			304	4	0.9	●	●	●	1.20	1.80	10.0
			305	2 3	0.9 0.7	●	●	●	1.50 1.50	2.10 2.10	10.0 7.0
			306	6	0.7	●	●	●	1.50	2.10	7.0
	2S			302	2	1.6	●	○	○	1.70	2.40
			303	3	1.3	●	○	○	1.50	2.10	15.0
			304	4	1.3	●	○	○	1.70	2.40	15.0
			305	5	1.3	●	○	○	1.50	2.10	13.0
			306	6	1.3	●	○	○	1.50	2.10	12.0
			307	3 4	1.3 0.9	●	○	○	0.80 0.80	1.20 1.20	12.0 9.0
			308	8	0.9	●	○	○	0.80	1.20	9.0
			310	10	0.9	●	○	○	0.80	1.20	7.0

- First choice alternative
- Special order alternative

3S	Male contact	Female contact	Insulator	Contact No.	∅A (MM)	Contact type			Test voltage (contact - contact) K/V rms	Test voltage (contact - shell) K/V rms	Rated current (A)
						Solder contact	PCB straight contact	PCB elbow contact			
			302	2	2.0	●	○	-	3.0	4.2	23
			303	3	2.0	●	○	-	1.5	2.1	20
			304	4	2.0	●	○	-	1.5	2.1	18
			305	2	2.0	●	○	-	1.5	2.1	18
		3		1.3	1.5				2.1	14	
			306	6	1.3	●	●	-	2.1	3.0	14
			307	7	1.3	●	●	-	1.0	1.5	12
			308	8	1.3	●	●	○	1.0	1.5	10
			310	10	1.3	●	●	●	1.0	1.5	9
			312	12	0.9	●	●	●	1.5	2.1	8
			313	13	0.9	●	●	○	1.5	2.1	8
			314	14	0.9	●	●	●	1.5	2.1	7
			316	16	0.9	●	●	●	1.0	1.5	7
			318	18	0.9	●	●	○	1.0	1.5	6

- First choice alternative
- Special order alternative

MB-S & E Series Coaxial Connectors

1. Overview

OOS Plug



MB-TFA



MB-TFA(Z)



MB-TLA



MB-TLA



MB-TFS

OOS Receptacle



MB-ZRA



MB-DCA



MB-DCA(Z)



MB-ZRN



MB-ZPL



MB-ZPS



MB-ZPA

OS Plug



MB-TFA



MB-TFA(Z)

OS Receptacle



MB-ZRA

1S Plug



MB-TFA



MB-TFA(Z)



MB-TLA

1S Receptacle



MB-ZRA

2S Plug



MB-TFA



MB-TFA(Z)

2S Receptacle



MB-ZRA

1E Plug (IP68)



MB-TGG



MB-TGG(Z)

1E Receptacle (IP68)



MB-ZGG

2. Push-Pull Self-Latching Connection System



Drawing	Specification
	<p>Engaging</p> <p>The self-latching system allows the connector to be mated by simply pushing the plug into the receptacle.</p>
	<p>Latched</p> <p>Once firmly latched, the connection cannot be broken by pulling on the cable or any other component part other than the outer release sleeve.</p>
	<p>Disengaging</p> <p>When required, the connector is disengaged by a single axial pull on the outer release sleeve. This first disengage the latches and then withdraws the plug from the socket.</p>

3. Main Features

- Push-Pull self-latching system
- Coaxial (50Ω and 75Ω), unipole configuration
- M7, M9, M12, M15 size are optional
- Fast connection, reliable performances
- 360° screening for full EMC shielding

4. Technical Characteristics

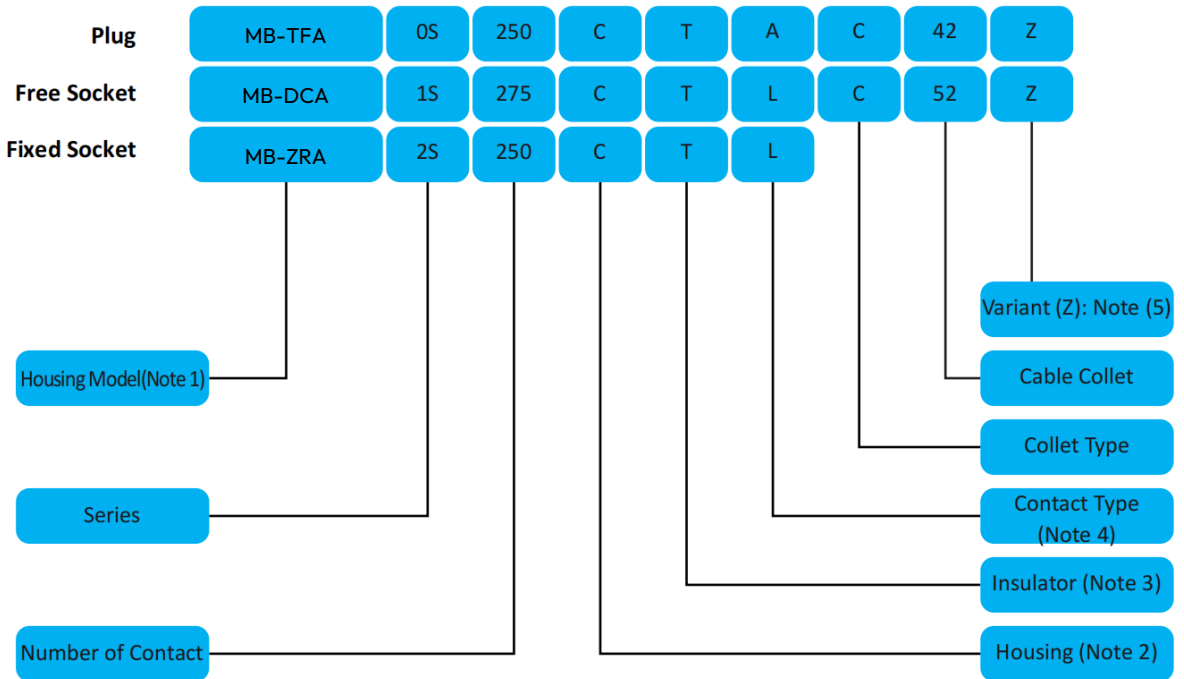
4.1 Mechanical and Climatical

Characteristics	Value	Standard
Endurance	>5000 cycles	IEC 60512-5 test 9a
Humidity	Up to 95% at 60°C	
Temperature Range	-40°C to +150°C	
Resistance to Vibration	10-2000Hz, 15g	IEC 60512-4 test 6d
Shock Resistance	100g, 6ms	IEC 60512-4 test 6c
Salt Spray Corrosion Test	>96h	IEC 60512-6 test 11f
Protection Index (mated)	S Series: IP50 E Series: IP68	IEC 60529

4.2 Electrical

Characteristics		Value	Standard
Shielding Efficiency	at 10 MHZ	>75 dB	IEC 60619-1-3
	at 1 GHZ	>40 dB	IEC 60619-1-3

5. Part Numbering System



***Note 1:**

MB-TFA.0S.250.CTAC42 = OS unipole pins straight plug, 50 Ohm, pearl chrome plated brass housing, PTFE insulator, 4.2mm cable collet

MB-DCA.1S.275.CTLC62Z = 1S unipole pins straight plug, 75 Ohm, pearl chrome plated brass housing, PTFE insulator, 6.2mm cable collet, nut for fitting bend relief

*NOTE: To order a model with cable collet and nut for fitting a bend relief, a letter "Z" is in the variant position.

***Note 2:**

- C=Brass plated chrome
- K=Brass plated black chrome
- N=Brass plated nickel
- T=Stainless Steel
- L=Aluminum alloy anodized

***Note 3:**

- L=PPS
- T=PTFE
- P=PEEK

***Note 4:**

A=Male soldering contacts
 L=Female soldering contacts

***Note 5:**

To request a model that includes a nut for fitting the bend relief, designate the variant position with the letter "Z" and include the bend relief part numbers MB-GMA.

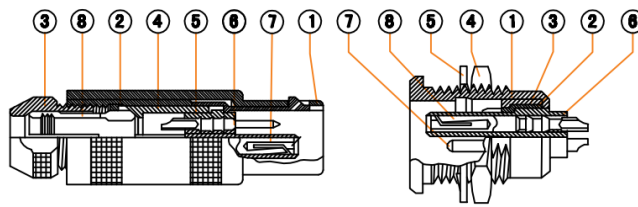
Bend relief color:

N=Black G=Gray A=Blue R=Red J=Yellow V=Green

6. Part Section Showing Internal Components

Straight Plug

- ① Outer Shell
- ② Latch Sleeve
- ③ Collet Nut
- ④ Center-Piece
- ⑤ Insulator
- ⑥ Male Contact
- ⑦ Collet


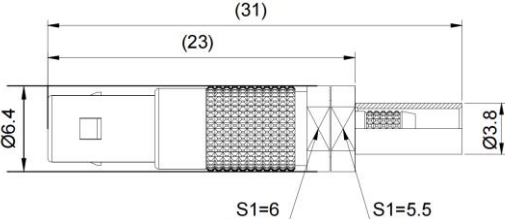

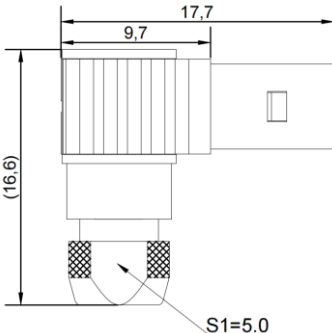

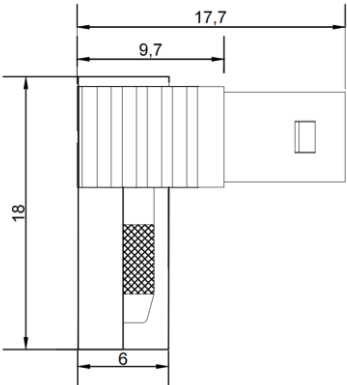

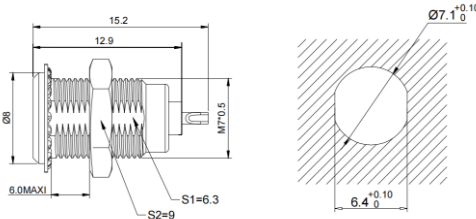



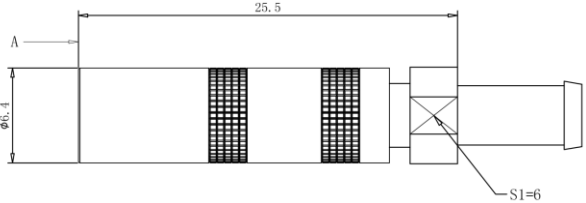

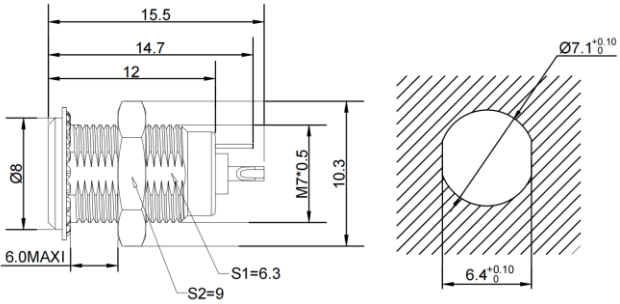

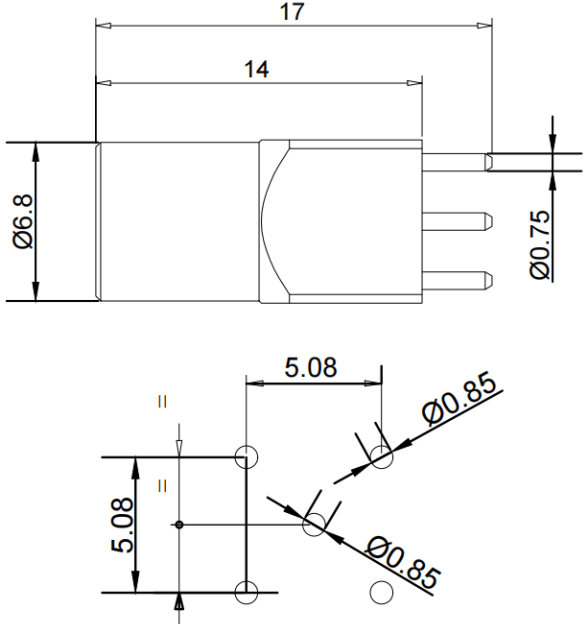
Fixed Receptacle


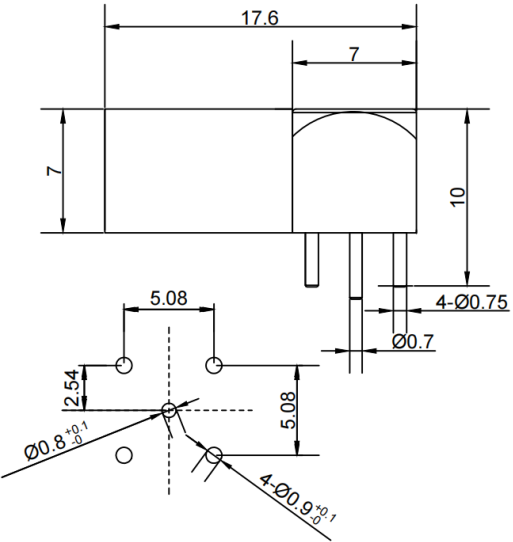

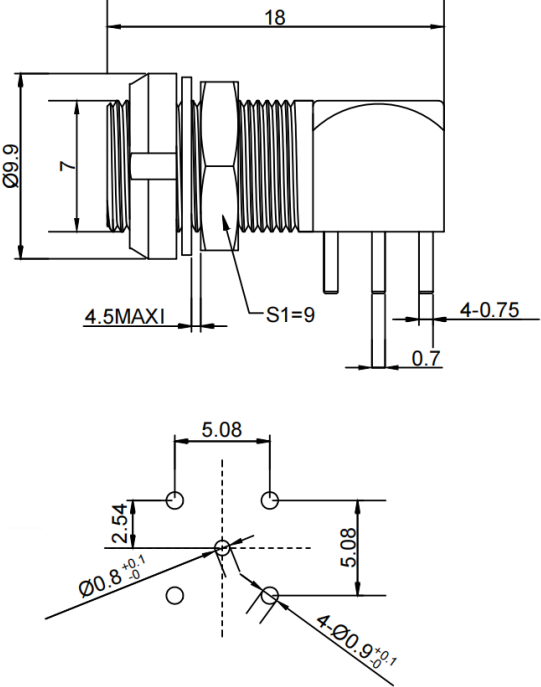
- ① Outer Shell
- ② Earthing Crown
- ③ Retaining Ring
- ④ Hexagonal Nut
- ⑤ Locking Washer
- ⑥ Insulator
- ⑦ Female Contact


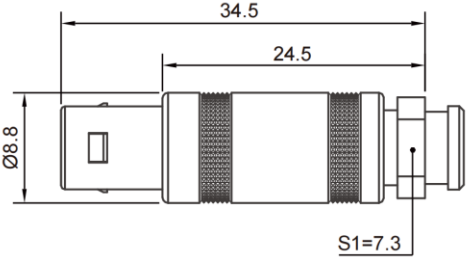

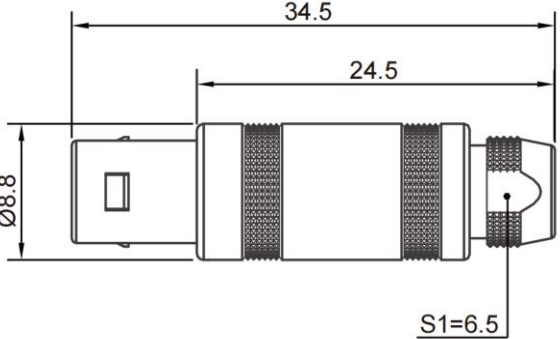

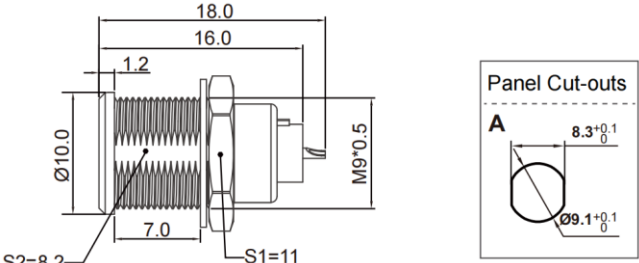
7. Product Size


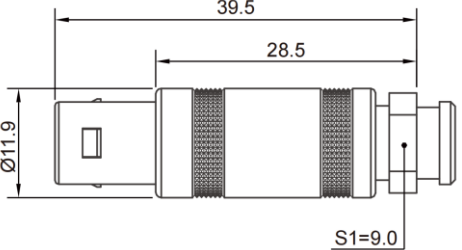

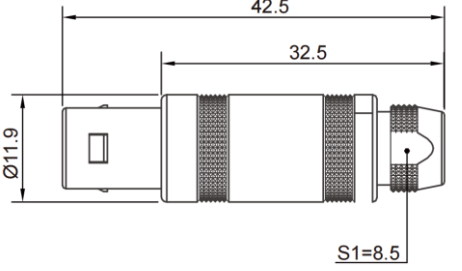

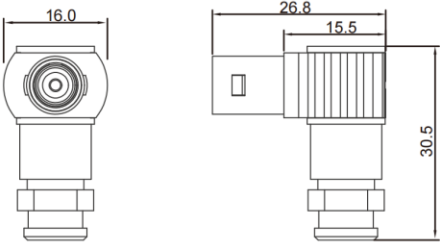

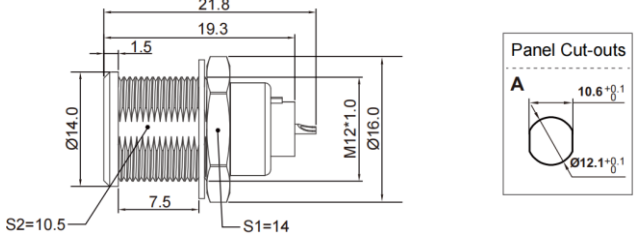

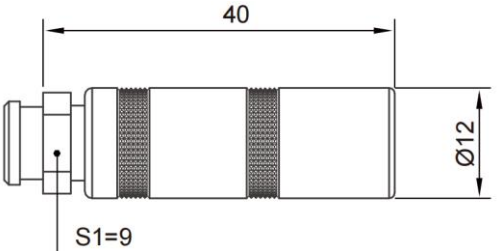
Part Number	Image	Size
MB-TFA.00.250.C TACXXZ		
MB-TFA.00.250.C TACXX		


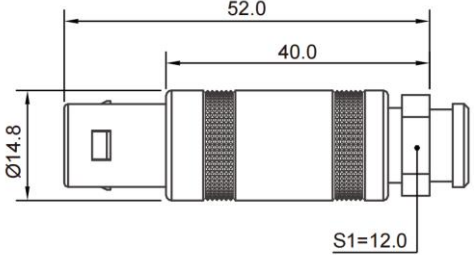

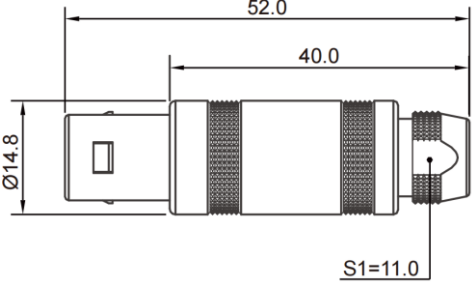

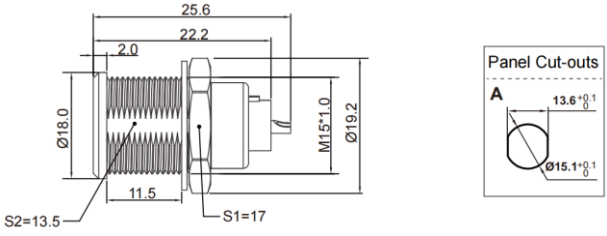

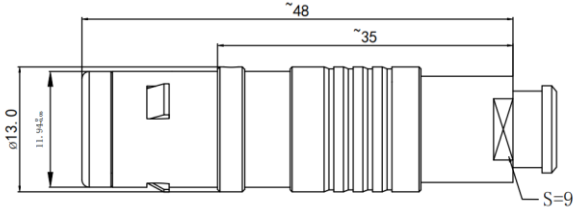

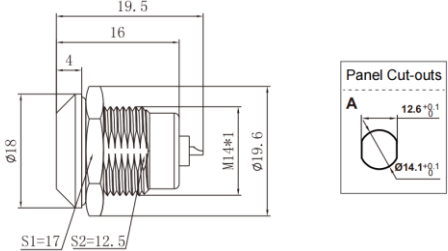
Part Number	Image	Size
MB-TFS.00.250.CT AEXX		
MB-TLA.00.250.C TACXX		
MB-TLA.00.250.C TAEXX		
MB-ZRA.00.250.C TL		

Part Number	Image	Size
MB-DCA.00.250. CTLCXXZ		
MB-ZRN.00.250. CTL		
MB-ZPA.00.250. NTN		

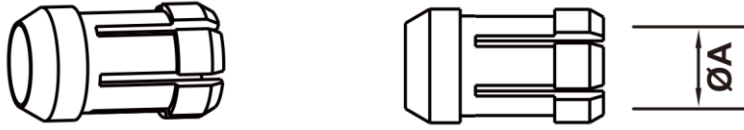
Part Number	Image	Size
MB- ZPL.00.250. NTN		
MB- ZPS.00.250. NTN		

Part Number	Image	Size
MB-TFA.OS.250.CT ACXXZ		
MB-TFA.OS.250.CT ACXX		
MB-ZRA.OS.250.CT L		

Part Number	Image	Size
MB-TFA.1S.250.CT ACXXZ MB-TFA.1S.275.CT ACXXZ		
MB-TFA.1S.250.CT ACXX MB-TFA.1S.275.CT ACXX		
MB-TLA.1S.250.CT ACXX MB-TLA.1S.275.CT ACXX		
MB-ZRA.1S.250.CT L MB-ZRA.1S.275.CT L		
MB-DCA.1S.250.CT LCXX		

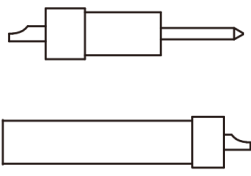
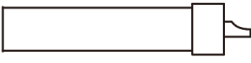










Part Number	Image	Size
MB-TFA.2S.250.CT ACXXZ		
MB-TFA.2S.250.CT ACXX		
MB-ZRA.2S.250.CT L		
MB-TGG.1E.250.CL ADXXZ		
MB-ZGG.1E.250.CL L		

8. Cable Collect Size



Code	Collet Ø (mm)	Cable dia Range		Series				
		Max	Min	OOS	OS	1S	2S	1E
27	2.7	2.2	2.7	•		•		
29	2.9	2.4	2.9	•				
32	3.2	2.7	3.2	•	•			•
35	3.5	3.1	3.5			•		
40	4.0	3.6	4.0		•	•	•	•
45	4.5	4.1	4.5		•			•
50	5.0	4.6	5.0		•	•		•
60	6.0	5.1	6.0			•		•
62	6.2	5.8	6.2			•		•
65	6.5	6.1	6.5			•		
70	7.0	6.6	7.0				•	•
80	8.0	7.1	8.0				•	

8. Coaxial Connector Uni-pole Layout

 		Code	Ohm(Ω)	$\varnothing A$ (MM)	Solder contact	Voltage standing-wave ratio SWR(F=GHz)	Test voltage (KV/rms)	Work voltage (KV/rms)	Current rate (A)	IP Rating
00	 	250	50	0.7	1	1.09 +0.11*f/GHz	2.1	0.7	4	IP50
0S	 	250	50	0.9	1	1.02 +0.25*f/GHz	3.0	1.0	6	IP50
1S	 	250	50	1.6	1	1.01 +0.23*f/GHz	3.0	1.0	12	IP50
		275	75	1.3	1	1.02 +0.08*f/GHz	2.4	0.8	10	IP50
2S	 	250	50	2.0	1	1.01 +0.95*f/GHz	3.0	1.0	15	IP50
		275	75	1.6	1	1.02 +0.03*f/GHz	1.5	1.5	12	IP50
1E	 	250	50	0.9	1	1.09 +0.23*f/GHz	1.0	0.3	6	IP68

MB-P Series Plastic Connectors

1. Overview

Plug



MB-P-TAG



MB-P-TAG(Z)



MB-2P-TAB



MB-3P-TAG

Panel Mount Receptacle



MB-P-ZKG



MB-P-ZKG(Elbow)



MB-P-ZLG



MB-P-ZLG



MB-P-ZLG



MB-P-ZLG



MB-P-ZLG



MB-P-ZLG



MB-2P-ZKB



MB-3P-ZLG

Cable Mount Receptacle



MB-P-ZRG



MB-P-ZRG(Z)

2. Push-Pull Self-Latching Connection System



Drawing	Specification
	<p>Engaging</p> <p>The self-latching system allows the connector to be mated by simply pushing the plug into the receptacle.</p>
	<p>Latched</p> <p>Once firmly latched, the connection cannot be broken by pulling on the cable or any other component part other than the outer release sleeve.</p>
	<p>Disengaging</p> <p>When required, the connector is disengaged by a single axial pull on the outer release sleeve. This first disengage the latches and then withdraws the plug from the socket.</p>

3. Main Features

- Quick push-pull self-latching connection system
- Solder and PCB (straight and elbow) contacts
- Keying system (G key standard) for connector alignment
- Multiple key options to avoid cross mating of similar connectors
- High-temperature durable plastic out shell (-250C~1250C)
- High density configuration for saving space
- Can be sterilization
- Available custom assembly solutions

4. Technical Characteristics

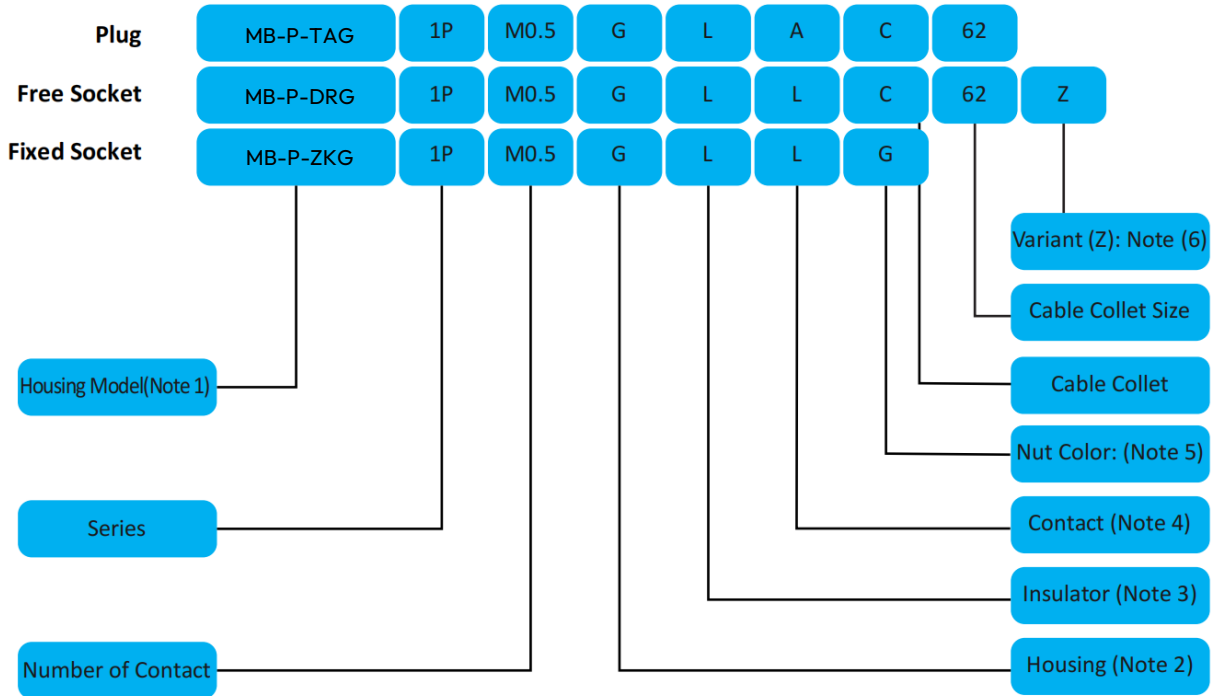
4.1 Mechanical and Climatical

Characteristics	Value	Standard
Endurance	>1000 cycles	IEC 60512-5 test 9a
Humidity	Up to 95% at 60°C	
Temperature Range	-20°C to +120°C	
Resistance to Vibration	10-2000Hz, 15g	IEC 60512-4 test 6d
Shock Resistance	100g, 6ms	IEC 60512-4 test 6c
Salt Spray Corrosion Test	>72h	IEC 60512-6 test 11f
Protection Index (mated)	IP50	IEC 60529
Climatical category	55/175/21	IEC 60068-1

4.2 Electrical

Characteristics		Value	Standard
Shielding Efficiency	at 10 MHZ	>75 dB	IEC 60619-1-3
	at 1 GHZ	>40 dB	IEC 60619-1-3

5. Part Numbering System



***Note 1:**

To place an order for a concave surface, please use the identifier MB12

MB-P-TAG.M0.5GL.AC52A = 1P series 5 pins straight plug, G key (alpha=0), PC housing, PPS insulator, 5.2mm cable collet, blue nut.

MB-P-DRG.M0.5GL.LC52A = 1P series 5 pins cable mounted receptacle, G key (alpha=0), PC housing, PPS insulator, 5.2mm cable collet, blue nut.

***Note 2:**

G=Gray(PC)
 N=Black(PC)
 B=White(PC)

***Note 3:**

L=PPS

***Note 4:**

A=Male soldering contacts
 L=Female soldering contacts
 D=Male straight PCB contacts
 N=Female straight PCB contacts
 W=Male 90° PCB contacts
 V=Female 90° PCB contacts

***Note 5:**

Front Nut Color
 N=Black
 G=Gray
 A=Blue
 R=Red
 J=Yellow
 V=Green

***Note 6:**

To request a model that includes a nut for fitting the bend relief, designate the variant position with the letter "Z" and include the bend relief part numbers MB-GMA.

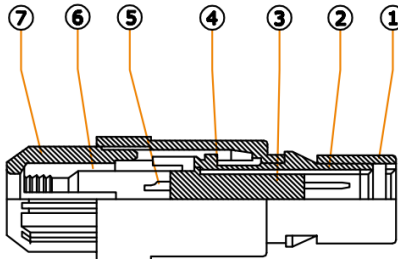
Bend relief color:

N=Black G=Gray A=Blue R=Red J=Yellow V=Green

6. Part Section Showing Internal Components

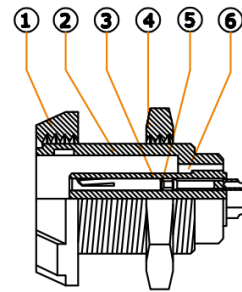
Straight Plug

- ① Outer Shell
- ② Latch Sleeve
- ③ Insulator
- ④ Male Contact
- ⑤ Split Insert Carrier
- ⑥ Collet
- ⑦ Nut



Fixed Receptacle

- ① Outer Shell
- ② Retaining Ring
- ③ Hexagonal Nut
- ④ Locking Washer
- ⑤ Insulator
- ⑥ Female Contact

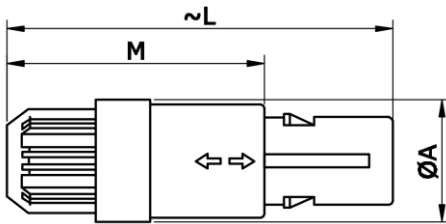


7. Product Size

7.1 1P Series

MB-P-TAG

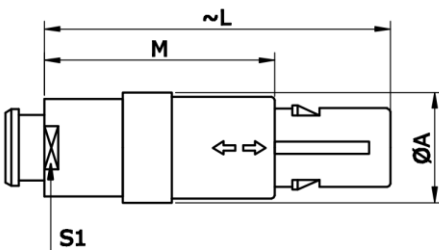
Straight plug, key (G) or keys (A, B, C, H, J), cable collet



Reference		Dimensions(mm)		
Model	Series	A	L	M
MB-P-TAG	1P	14	46.5	32

MB-P-TAG

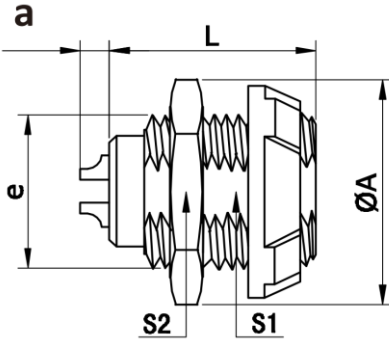
Straight plug, key (G) or keys (A, B, C, H, J), cable collet, nut for fitting a bend relief



Reference		Dimensions(mm)			
Model	Series	A	L	M	S1
MB-P-TAG	1P	14	45.5	32	9

MB-P-ZKG

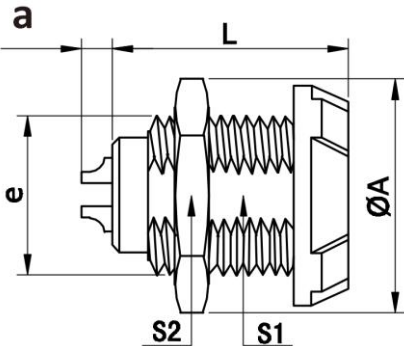
Fixed receptacle with two nuts, key (G) or keys (A, B, C, H, J), back panel mounting



Reference		Dimensions(mm)					
Model	Series	A	L	a	e	S1	S2
MB-P-ZKG	1P	18.5	20.5	2.7	M14*1.0	12.5	17

MB-P-ZLG

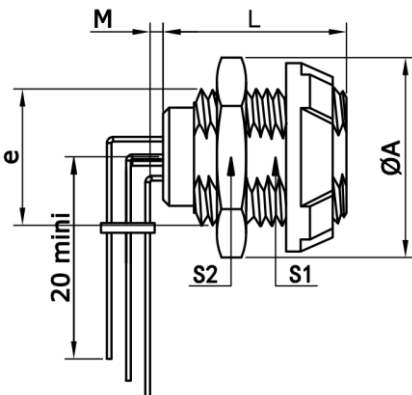
Fixed receptacle, all-in-one type, key (G) or keys (A, B, C, H, J), nut fixing



Reference		Dimensions(mm)					
Model	Series	A	L	a	e	S1	S2
MB-P-ZLG	1P	19.5	20.5	2.7	M14*1.0	12.5	17

MB-P-ZKG(Elbow)

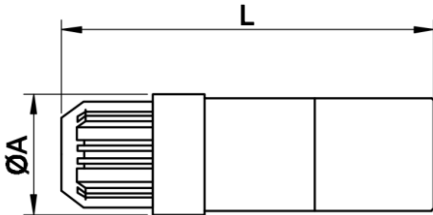
Fixed receptacle, key (G) or keys (A, B, C, H, J), elbow 90° contact for printed circuit



Reference		Dimensions(mm)					
Model	Series	A	L	M	e	S1	S2
MB-P-ZKG	1P	19.5	20.5	2.0	M14*1.0	12.5	17.0

MB-P-ZRG

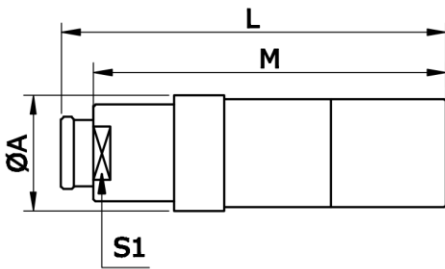
Free cable mount receptacle, key (G) or keys (A, B, C, H, J), cable collet



Reference		Dimensions(mm)	
Model	Series	A	L
MB-P-ZRG	1P	14	40


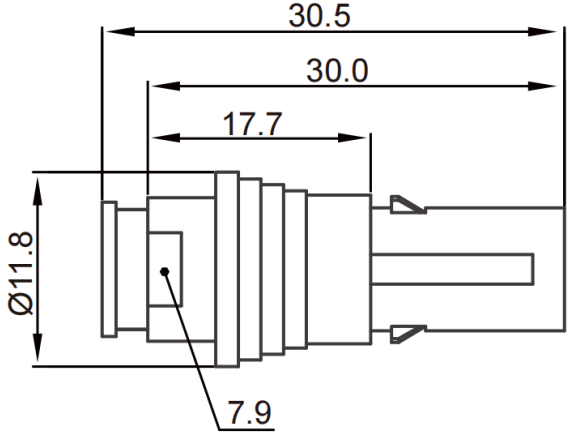

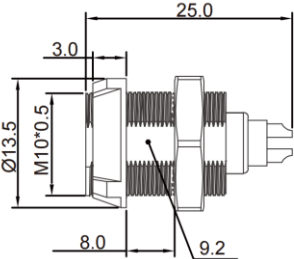

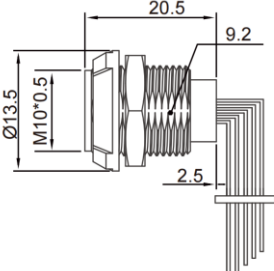
MB-P-ZRG

Free cable mount receptacle, key (G) or keys (A, B, C, H, J), cable collet, nut for fitting a bend relief


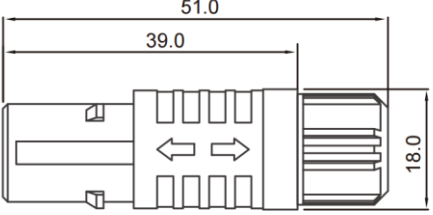

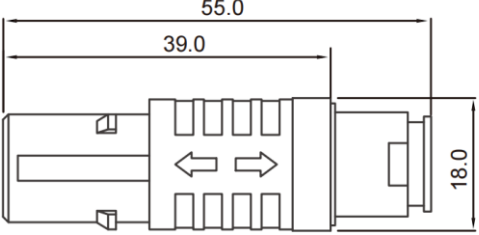

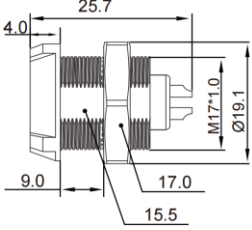
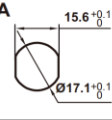

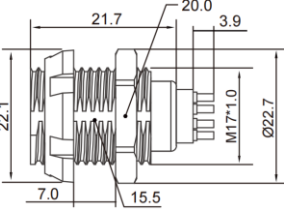
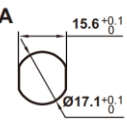

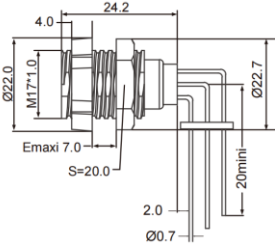
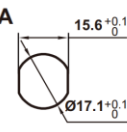


Reference		Dimensions(mm)	
Model	Series	A	L
MB-P-ZRG	1P	14	40


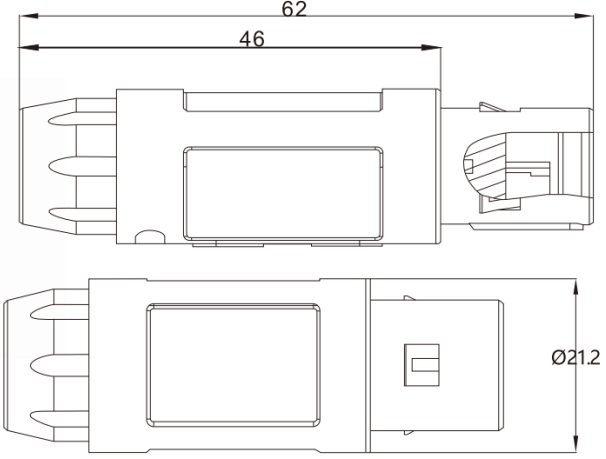

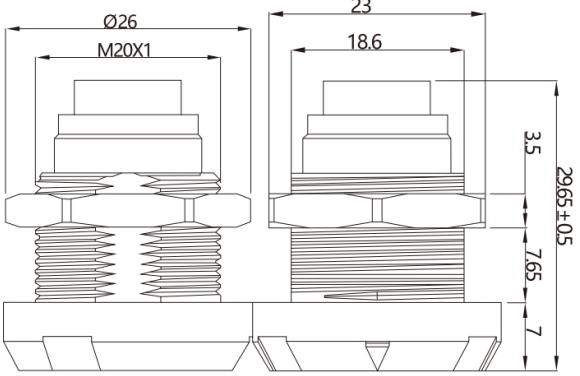
7.2 OP Series

Part Number	Image	Size
MB-OP-TAG		
MB-OP-ZKG		 <div data-bbox="1130 1067 1288 1259" style="border: 1px solid black; padding: 5px; margin-top: 10px;"> <p>Panel Cut-outs</p> <p>A</p> <p>$9.3^{+0.1}_0$</p> <p>$\text{Ø}10.1^{+0.1}_0$</p> </div>
MB-OP-ZKG		 <div data-bbox="1130 1433 1288 1626" style="border: 1px solid black; padding: 5px; margin-top: 10px;"> <p>Panel Cut-outs</p> <p>A</p> <p>$9.3^{+0.1}_0$</p> <p>$\text{Ø}10.1^{+0.1}_0$</p> </div>

7.3 2P Series

Part Number	Image	Size
MB-2P-TAB		
MB-2P-TAB(Z)		
MB-2P-ZLB		 <div data-bbox="1136 1079 1268 1239" style="border: 1px solid black; padding: 5px;"> <p>Panel Cut-outs</p> <p>A</p>  </div>
MB-2P-ZKB		 <div data-bbox="1122 1363 1268 1541" style="border: 1px solid black; padding: 5px;"> <p>Panel Cut-outs</p> <p>A</p>  </div>
MB-2P-ZKB (Elbow)		 <div data-bbox="1122 1632 1268 1810" style="border: 1px solid black; padding: 5px;"> <p>Panel Cut-outs</p> <p>A</p>  </div>

7.2 3P Series

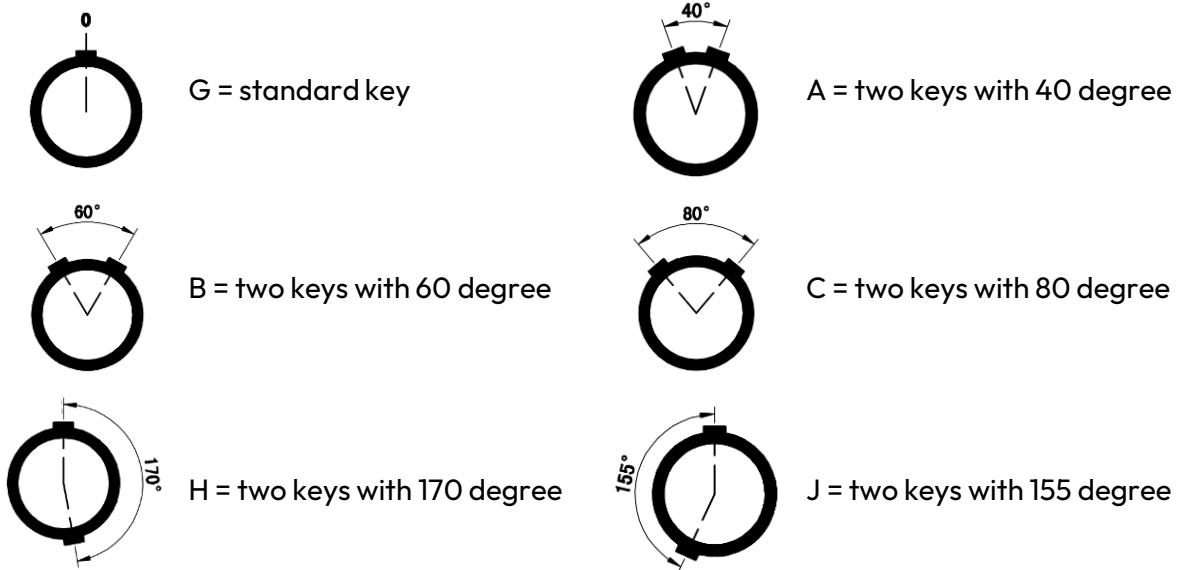
Part Number	Image	Size
MB-3P-TAG		
MB-3P-ZLG		

8. Alignment Key and Polarized Keying System

8.1 1P Series

Keying (Plug Front View)						
Key Code	G	A	B	C	H	J

Alignment Keys



8.2 Other Series

Keying (Plug Front View)			
Key Code	OP	2P	3P

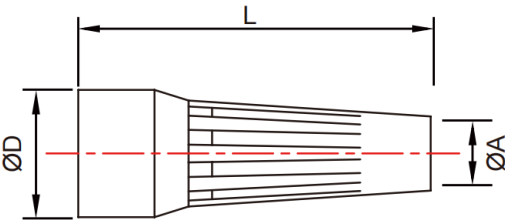
9. Nut Code

	Code	Color		Code	Color
	G	Gray		N	Black
	A	Blue		R	Red
	Code	Color		Code	Color
	G	Gray		N	Black
	A	Blue		R	Red
	Code	Color		Code	Color
	G	Gray		N	Black
	A	Blue		R	Red
	Code	Color		Code	Color
	G	Gray		N	Black
	A	Blue		R	Red
	Code	Color		Code	Color
	G	Gray		N	Black
	A	Blue		R	Red
	Code	Color		Code	Color
	G	Gray		N	Black
	A	Blue		R	Red
	Code	Color		Code	Color
	G	Gray		N	Black
	A	Blue		R	Red
	Code	Color		Code	Color
	G	Gray		N	Black
	A	Blue		R	Red
	Code	Color		Code	Color
	G	Gray		N	Black
	A	Blue		R	Red

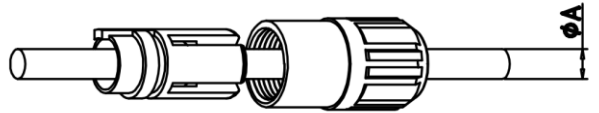
10. Bend Relief Code

	Code	Color		Code	Color
	G	Gray		V	Green
	A	Blue		W	White
	J	Yellow		B	Brown
	N	Black		O	Orange
R	Red	I	Beige		

11. Bend Relief Size

	Size	ØA	AWG	
			ØB(Max.)	ØB(Min.)
	OP	4.0	3.9	2.7
		5.0	4.9	3.7
	1P	4.2	4.1	3.0
		5.2	5.1	4.0
		6.5	6.4	5.2
	2P	5.2	5.1	4.0
		7.2	7.1	6.0
		8.0	7.9	6.8
	9.0	8.9	7.8	
	3P	12.0	12.0	11.0

12. Cable Collet Size



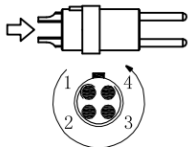
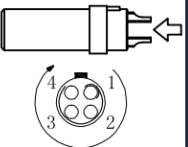

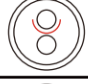





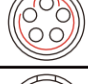
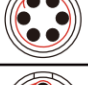
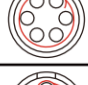

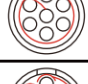



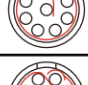



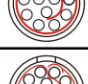

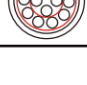
Cable Clamp Set	Cable Collet (mm)	Cable dia Range	
	ØA	Min	Max
1P-040	4.0	2.7	4.0
1P-052	5.2	4.0	5.2
1P-060	6.0	5.5	6.0

Cable Clamp Set	Cable Collet (mm)	Cable dia Range	
	ØA	Min	Max
2P	52	3.3	5.2
	72	5.3	7.2
	92	7.3	9.2

Cable Clamp Set	Cable Collet (mm)	Cable dia Range	
	ØA	Min	Max
OP	40	2.7	3.9
OP	50	3.7	4.9
3P	12	11.0	12.0

13. MB-P Series Multipole Layout

Series	Insulator	Pin Array		ØA (mm)	Contact resistance (mΩ)	Related current (A)	Test voltage (V)	Work Voltage(V)
		Solder male contact	Solder female contact					
OP	02			0.9	6	10	1000	450
	03			0.9	6	8	875	400
	04			0.7	7.5	7	875	300
	05			0.7	7.5	6.5	750	350
	06			0.5	10	2.5	750	300
	07			0.5	10	2.5	750	250
	09			0.5	10	2	600	200

Series	Insulator	Pin Array		ØA (mm)	Contact resistance (mΩ)	Related current (A)	Test voltage (V)	Work Voltage(V)
		Solder male contact 	Solder female contact 					
1P	02			1.3	5	10	1200	500
	03			1.3	5	9	1200	500
	04			0.9	6	8	1200	500
	05			0.9	6	7	1050	500
	06			0.7	7.5	6	1050	450
	07			0.7	7.5	5	1050	450
	08			0.7	7.5	5	1050	400
	09			0.5	10	3	850	333
	10			0.5	10	3	850	333
	12			0.5	10	2.2	750	333
	14			0.5	10	2	600	550

Series	Insulator	Pin Array		ØA (mm)	Contact resistance (mΩ)	Related current (A)	Test voltage (V)	Work Voltage(V)
		Solder male contact 	Solder female contact 					
2P	02			2.0	3	30	1650	600
	03			1.6	4	17	1800	600
	04			1.3	5	15	1800	500
	05			1.3	5	14	1500	500
	06			1.3	5	12	1500	550
	07			1.3	6	11	1680	400
	08			0.9	6	10	1200	400
	10			0.9	7.5	8	1200	450
	12			0.7	7.5	7	1350	400
	16			0.7	7.5	6	1200	400
	18			0.7	7.5	6	1200	400
	19			0.7	7.5	6	1200	400
	26			0.5	8	5.5	1200	400

MB Metal & Plastic Hybrid Connectors

1. Overview - Fluidic

Plug (Fluidic)



MB-TGG



MB-TGG (Z)



MB-TGG.4P

Receptacle (Fluidic)



MB-ZGG.2B (6+1)



MB-ZGG.3B (8+1)



MB-ZGG.2B (10+1)



MB-ZGG.3B (13+1)



MB-ZGG.3B (6+2)



MB-ZGG.4P (9+2)



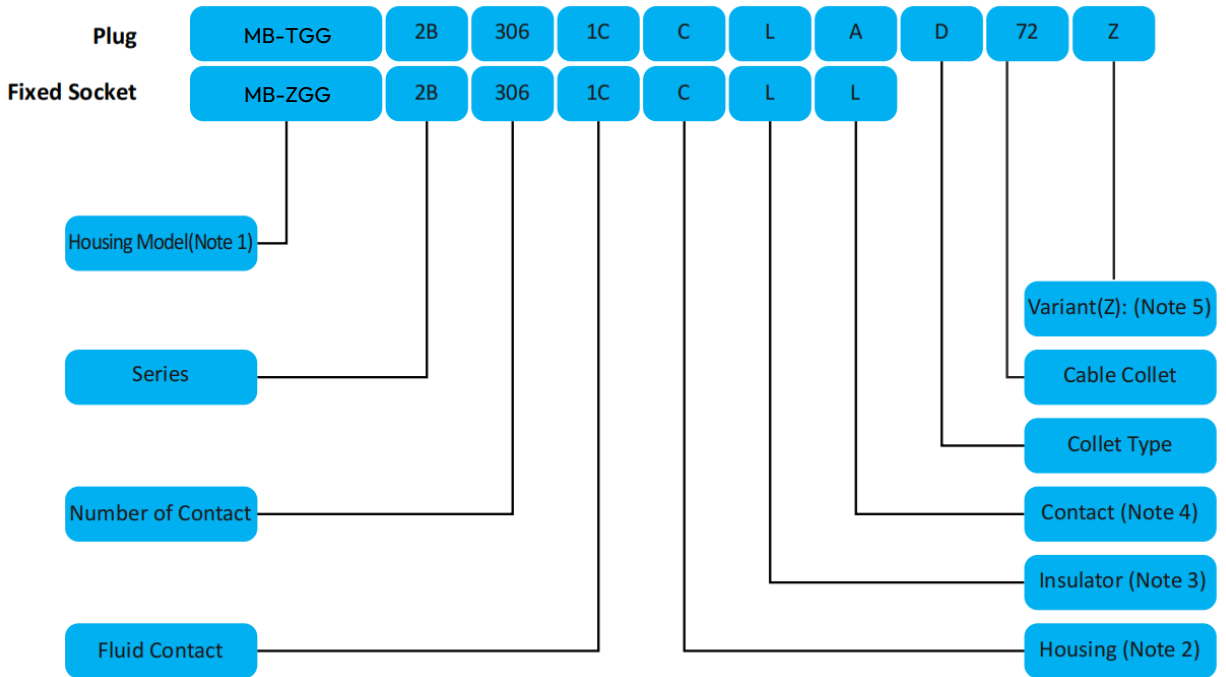
MB-ZGG.4P (13+1)

2. Hybrid Fluidic Connector Main Features

- Security of the original Push-Pull self-latching system.
- The alignment key (G, A, B, C) ensures excellent repeatability of performance during frequent mattings.
- The P1 fluid contact mixed low voltage contacts allow hybrid configuration in the B, K and P series.
- The possible outer cable diameters range from 4.0 to 12.0mm

The P1 fluidic contact has been designed to work in the B, K and P series. This kind of fluidic connector is used for medical and dentistry equipment. The connector is of the monotube type and primarily intended for use with air or inert gas.

3. Part Numbering System



***Note 1:**

To place an order for a chocolate design, please use the identifier INT12

MB-TGG.2B.306+1C.CLAD72Z = 2B series straight plug, 6 low voltage contacts + 1 fluidic contact, 1 key (alpha=0), 7.2mm cable collet, nut for fitting bend relief

MB-ZGG.2B.306+1C.CLL = 2B series fixed receptacle, 6 low voltage contacts + 1 fluidic contact, 1 key (alpha=0)

***Note 2:**

- C=Brass plated chrome
- K=Brass plated black chrome (At the end of the model number, adding 'R' indicates a red dot, while adding 'W' indicates a white dot.)
- N=Brass plated nickel
- T=Stainless Steel
- L=Aluminum alloy anodized

***Note 3:**

- L=PPS
- P=PEEK

***Note 4:**

- A=Male soldering contacts
- L=Female soldering contacts
- D=Male straight PCB contacts
- N=Female straight PCB contacts
- W=Male 90° PCB contacts
- V=Female 90° PCB contacts

***Note 5:**

To request a model that includes a nut for fitting the bend relief, designate the variant position with the letter "Z" and include the bend relief part numbers MB-GMA.

Bend relief color:

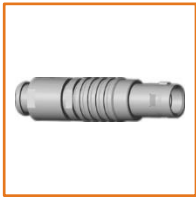
N=Black G=Gray A=Blue R=Red J=Yellow V=Green

4. Overview – B & K Series

B & K Series Metal Hybrid Connector – Low Voltage Contacts Mixed Fluidic Tube

B & K Series Metal Hybrid Connector – Low Voltage Contacts Mixed Coaxial Contacts

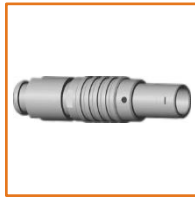
B Series Plug



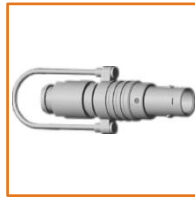
MB-TGG



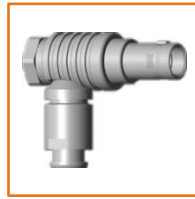
MB-TEG



MB-TFG



MB-TNG



MB-THG



MB-TSG



MB-TAG

B Series Receptacle



MB-ZGG



MB-ZCG



MB-ZEG



MB-ZHG



MB-RFG



MB-RKG



MB-DHG

K Series Plug



MB-TGG



MB-TGG



MB-THG

K Series Receptacle



MB-ZGG



MB-ZEG



MB-DHG



MB-ZHG

P Series Plastic Hybrid Connector – Low Voltage Contacts Mixed Fluidic Tube



MB-2P-TGG



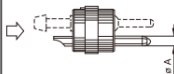
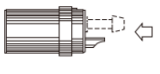











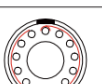

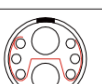


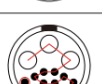
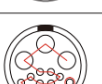


MB-2P-ZKB



MB-TGG.4P



MB-ZGG.4P

	Male contact 	Female contact 	Reference	Fluidic Contact				Low Voltage Contact					
				Number of fluidic tube	Ext. ϕ of tube	Int. ϕ of tube	Max. working pressure (bars)	Contact No	ϕ A (mm)	Solder contact	Test voltage (kV rms) Contact-contact	Test voltage (kV rms) Contact-shell	Rated current (A)
1B 1K			304 + 1	1	3.0	1.8	6	4	0.7 0.5	●	0.5	0.7	3
2B 2K			304 + 1	1	3.0 4.0	1.8 2.0	6	4	0.7	●	0.85	1.2	6
			306 + 1	1	3.0 4.0	1.8 2.0	6	6	0.7	●	0.85	1.2	6
			310 + 1	1	3.0 4.0	1.8 2.0	6	10	0.7	●	1.15	1.35	6
3B 3K			308 + 1	1	3.0 4.0	1.8 2.0	6	8	0.9	●	0.8	0.95	8
			313 + 1	1	3.0 4.0	1.8 2.0	6	13	0.7	●	0.7	0.8	5
			306 + 2	2	3.0 4.0	1.8 2.0	6	6	0.9	●	1.2	1.05	8
4B 4K			310 + 4	4	3.0	1.8	6	9	0.9	●	1.0	1.0	8
			312 + 3	3	3.0	1.8	6	12	0.9	●	0.9	0.95	6
2P			304 + 1	1	4.0	3.0	6	4	0.7	●	1.4	0.6	5

	Male contact	Female contact	Fluidic Contact				Low Voltage Contact						
			Reference	Number of fluidic tube	Ext. ϕ of tube	Int. ϕ of tube	Max. working pressure (bars)	Contact No	ϕ A (mm)	Solder contact	Test voltage (kV rms) Contact-contact	Test voltage (kV rms) Contact-shell	Rated current (A)
4P			306 + 1	1	4.0	3.0	6	6	0.9	●	1.5	1.0	10
			304 + 1	1	4.0	2.0	6	4	2.0	●	2.0	1.75	6
			306 + 1	1	4.0	2.0	6	6	2.0	●	2.0	1.75	6
			309 + 2	2	4.0	2.5	6	9	0.9	●	1.2	1.05	8
			313 + 1	1	6.0	4.0	6	9+2	2 0.9	●	2.0 1.2	1.75 1.05	15 6

5. Overview – Coaxial

IP50 Plug (Coaxial)



MB-TGG (Z)

MB-TGG

IP50 Receptacle (Coaxial)



MB-ZGG

IP68 Plug (Coaxial)



MB-TGG (Z)

MB-TGG

IP68 Receptacle (Coaxial)



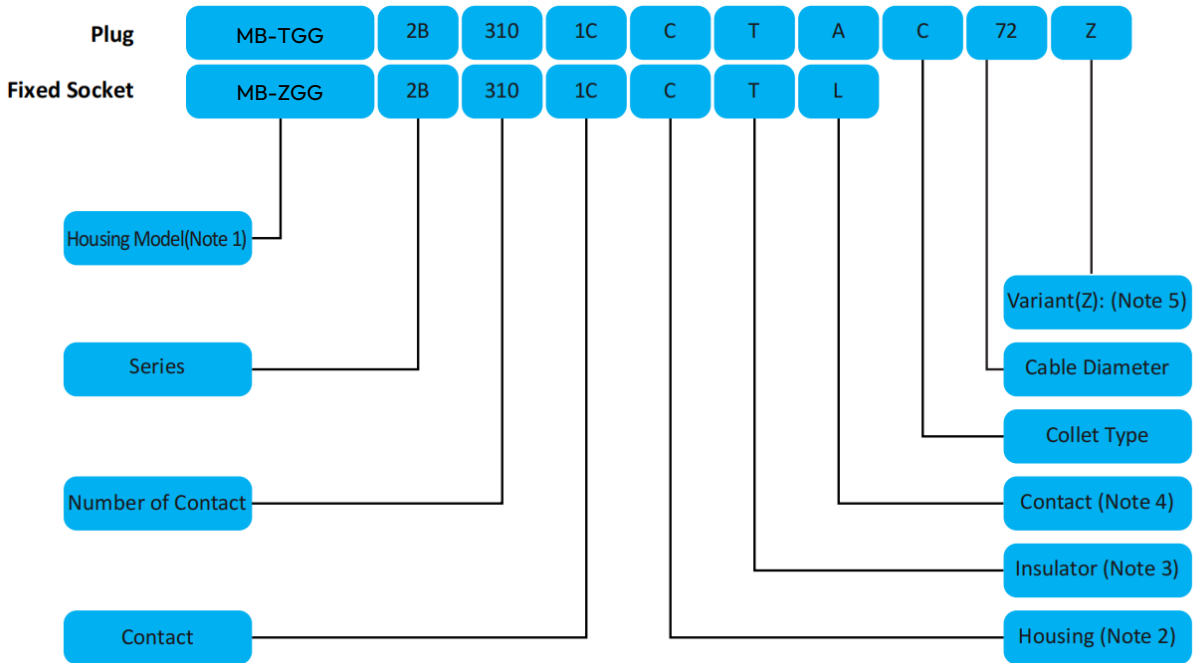
MB-ZGG

6. Hybrid Coaxial Connector Main Features

- Fast push-pull self-locking connection
- Ease of installation
- High density mixed insert configuration for saving space
- Keying system («G» key standard) for connector alignment
- 360° screening for full EMC shielding
- Rugged housing for extreme working conditions
- Available custom cable assembly
- Combined transmission of various media in one interface: electrical (signals, power, data)

The coaxial contact mixed low voltage contacts insert has been designed to work in the 2B, 2K and 3B, 3K series. Smaller, lighter, more powerful hybrid connectors, what apply for end devices in the areas of industry, medical technology, as well as test and measurement is also a key requirement for the connecting interfaces and transmission infrastructure. They are suited for use in harsh environments while ensuring high numbers of matting cycles.

7. Part Numbering System



***Note 1:**

To place an order for a chocolate design, please use the identifier MB12

MB-TGG.2B.306+1C.CTAC72Z = 2B series straight plug, 6 low voltage contacts + 1 coaxial contact, 1 key (alpha=0), 7.2mm cable collet, nut for fitting bend relief

MB-ZGG.2B.306+1C.CTL = 2B series fixed receptacle, 6 low voltage contacts + 1 coaxial contact, 1 key (alpha=0)

***Note 2:**

C=Brass plated chrome
 K=Brass plated black chrome (At the end of the model number, adding 'R' indicates a red dot, while adding 'W' indicates a white dot.)
 N=Brass plated nickel
 T=Stainless Steel
 L=Aluminum alloy anodized

***Note 3:**

L=PPS
 T=PTFE
 P=PEEK

***Note 4:**

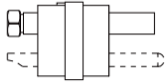
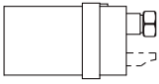










A=Male soldering contacts
 L=Female soldering contacts
 D=Male straight PCB contacts
 N=Female straight PCB contacts
 W=Male 90° PCB contacts
 V=Female 90° PCB contacts

***Note 5:**

To request a model that includes a nut for fitting the bend relief, designate the variant position with the letter "Z" and include the bend relief part numbers MB-GMA.

Bend relief color:

N=Black G=Gray A=Blue R=Red J=Yellow V=Green

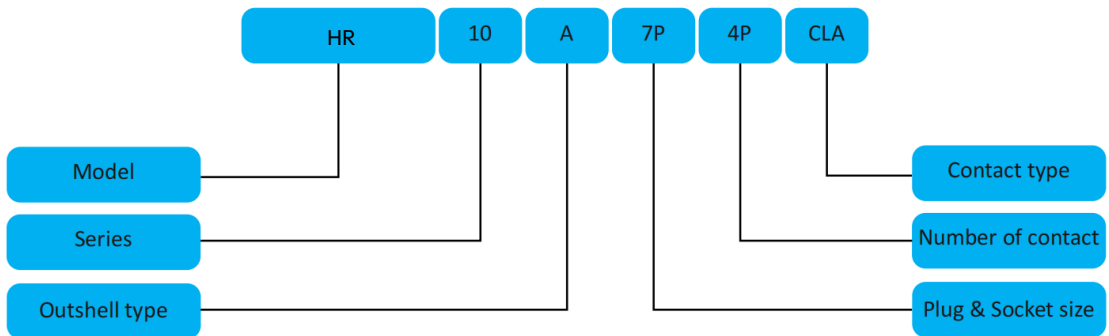
	Male contact 	Female contact 	Coaxial Contact				Low Voltage Contact					
			Reference	Number of contacts	Impedance (Ω)	Cable group	Contact No	ϕ A (mm)	Solder contact	Test voltage (kV rms)	Test voltage (kV dc)	Rated current (A)
2B 2K			306 + 1	1	50	1-2-3	6	0.7	●	0.75	1.05	7
			310 + 1	1	50	1-2-3	10	0.7	●	0.95	1.35	7
3B 3K			308 + 1	1	50	1-2-3	8	0.9	●	1.0	1.5	8
			310 + 1	1	50	1-2-3	10	0.7	●	0.9	1.3	7
			306 + 2	2	50	1-2-3	6	0.9	●	0.9	1.3	10

HR10A Series Miniature Camera Connectors

1. Main Features

- Push-pull coupling mechanism assures easy and quick connecting & disconnecting.
- Smart design, well-balanced, simplified layout in the limited space.
- Straight solder contacts, PCB contacts.
- Five-key system permits only one way of coupling when blind mating.
- Series of multi-core, high-density installation space-saving.
- Easy wiring and mounting, no use of screws make wiring and mounting easier.

2. Part Numbering System



3. Technical Characteristics


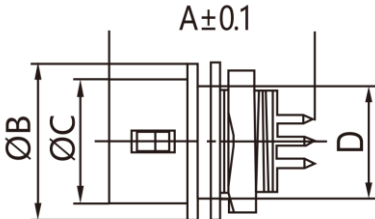
No.	Specification	Out Shell Size		01		02		
		Pin Array	4	6	7	7	10	12
1	Contact Diameter (mm)		0.6		0.8		0.6	
2	Contact Resistance (mΩ)		10		6.5		10	
3	Working Voltage (KV/DC)		0.3		0.45		0.3	
	Working Voltage (KV/AC)		0.2		0.35		0.2	
4	Experimental Voltage (KV/DV)		0.9		1.2		0.9	
	Experimental Voltage (KV/AV)		0.5		0.8		0.5	
5	Working Current (A)		2		3.5		2	
6	Work temperature (OC)		-40°C ~ +125°C					
7	Lifetime		1000 cycles					

4. Product Size


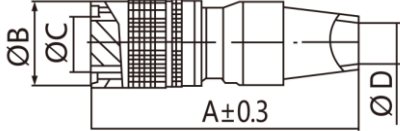
4.1 Fixed Receptacle with Solder Pin

						
Size	Item NO.	Pin Array	A	B	C	D
01	HR10A-7R-4S-CLL	4	14	11	8.85	M8*0.5
	HR10A-7R-6S-CLL	6	14	11	8.85	M8*0.5
	HR10A-7R-7S-CLL	7	14	11	8.85	M8*0.5
02	HR10A-10P-7S-CLL	7	16	14	11.9	M11*0.75
	HR10A-10P-10S-CLL	10	16	14	11.9	M11*0.75
	HR10A-10P-12S-CLL	12	16	14	11.9	M11*0.75


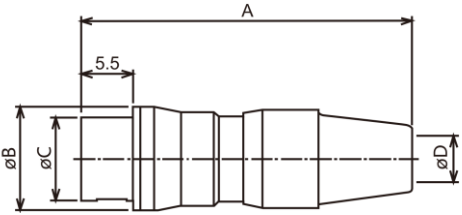
4.2 Fixed Receptacle with PCB Pin

						
Size	Item NO.	Pin Array	A	B	C	D
01	HR10A-7R-4S-CLN	4	15.5	11	8.85	M8*0.5
	HR10A-7R-6S-CLN	6	15.5	11	8.85	M8*0.5
	HR10A-7R-7S-CLN	7	15.5	11	8.85	M8*0.5
02	HR10A-10P-7S-CLN	7	15.5	14	11.9	M11*0.75
	HR10A-10P-10S-CLN	10	15.5	14	11.9	M11*0.75
	HR10A-10P-12S-CLN	12	15.5	14	11.9	M11*0.75

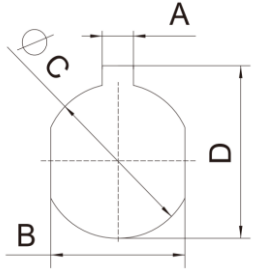
4.3 Plug with Solder Pin

						
Size	Item NO.	Pin Array	A	B	C	D
01	HR10A-7P-4P-CLA	4	35.5	11	8.85	5
	HR10A-7P-6P-CLA	6	35.5	11	8.85	5
	HR10A-7P-7P-CLA	7	35.5	11	8.85	5
02	HR10A-10P-7P-CLA	7	44	14	11.9	7
	HR10A-10P-10P-CLA	10	44	14	11.9	7
	HR10A-10P-12P-CLA	12	44	14	11.9	7

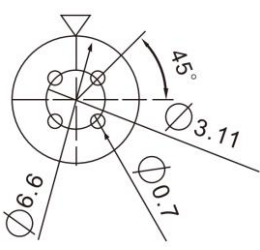
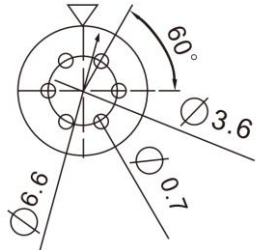
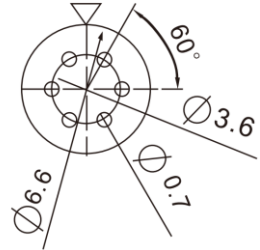
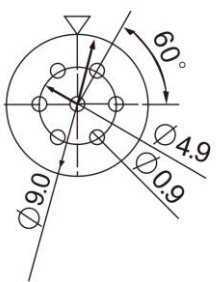
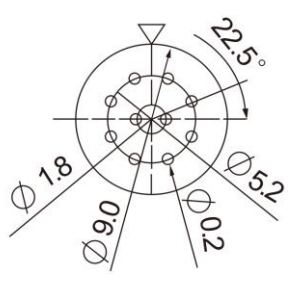
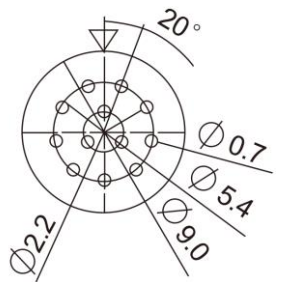
4.4 Free Receptacle with Solder Pin

						
Size	Item NO.	Pin Array	A	B	C	D
01	HR10A-7J-4S-CLL	4	35.5	11	8.85	5
	HR10A-7J-6S-CLL	6	35.5	11	8.85	5
	HR10A-7J-7S-CLL	7	35.5	11	8.85	5
02	HR10A-10J-7S-CLL	7	44	14	11.9	7
	HR10A-10J-10S-CLL	10	44	14	11.9	7
	HR10A-10J-12S-CLL	12	44	14	11.9	7

5. Panel Holes Dimension for Fixed Receptacle

	Drawing			
	Size	A	B	C
01	1.6	7.3	8.1	9.0
02	2.5	10.1	11.1	12

6. PCB Drilling Pattern

Size	Pin Array		
01			
	04	06	07
02			
	07	10	12

MB-BP Series Fluidic Connectors

Metal Fluidic Connector



MB-BP12



MB-BP15



MB-BP16



MB-BP44


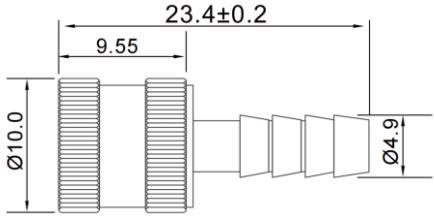

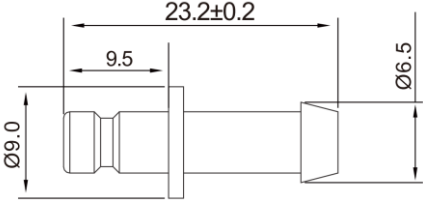

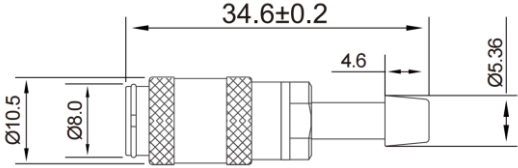

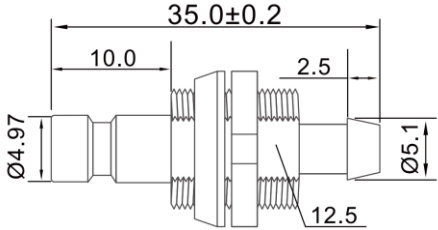
1. Main Features

NIBP connectors are widely used in medical appliances, instruments and industries with wind (water) piping interconnection. They can be realized fast connection and disconnection.

2. Technical Specifications

Tube Diameter	5.00mm or 4.00mm
Work Temperature	-20°C to +120°C
Certifications	RoHS compliant
Material Connector	Copper alloy housing, nickel plating
Connection	Quick connect and disconnect (Bayonet)
Life Cycles	1000 times

3. Product Size

Part Number	Image	Size
MB-BP44		
MB-BP12		
MB-BP15		
MB-BP16		

Plastic Fluidic Connector



MB-P-TAG



MB-P-TAG(Z)



MB-P-ZKG


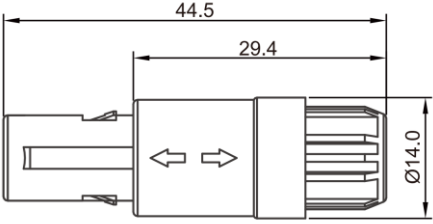

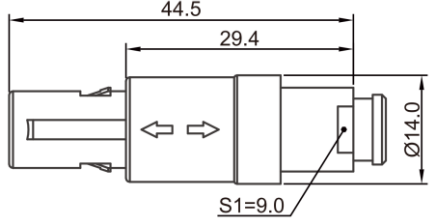

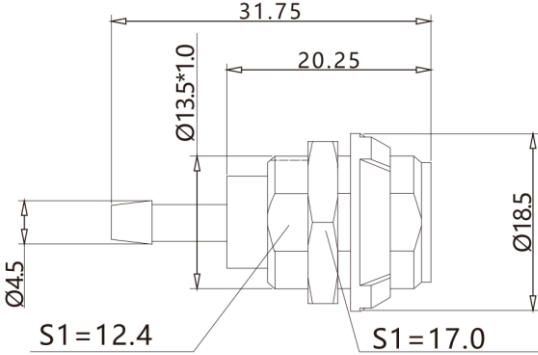
1. Main Features

- Quick push-pull self-latching connection system
- Fluidic contacts
- Can be sterilization
- Keying system (G key standard) for connector alignment
- High-temperature durable plastic out shell (-25°C~125°C)
- Available custom cable assembly solutions

2. Technical Specifications

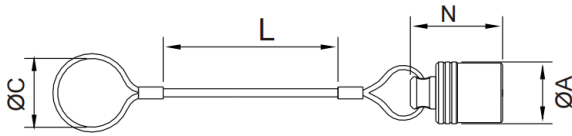
Shell Style/Model	1P(Plastic(Mechanical Keying))
Housing Material	PC
Insulator Material	PPS
Tube Inner Diameter	4mm
Docking Metal Head Diameter	4.5mm,with slot
Life Cycles	Max.Mating:1000 times
Air Leakage	Volume 500ml ³ ,pressure 400mmHg,leakage is less than 6mmHg within 3min.
Salt Spray	>72hrs
Temp(min)	-20°C
Temp(max)	125°C
Humidity(max)	<=95%[at 60°C/140 F]
Vibration	15g[10 Hz-2000 Hz]
Shock Resistance	100 g[6 ms]

3. Product Size

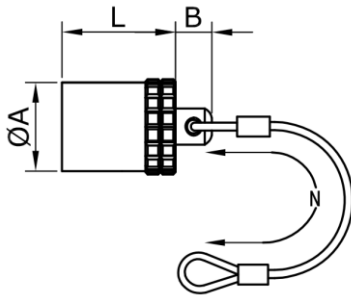
Part Number	Image	Size
MB-TAG.A0.1GZ.ZC XXG		
MB-TAG.A0.1GZ.ZC XXGZ		
MB-ZKG.A0.1GZ.ZG		

Accessories

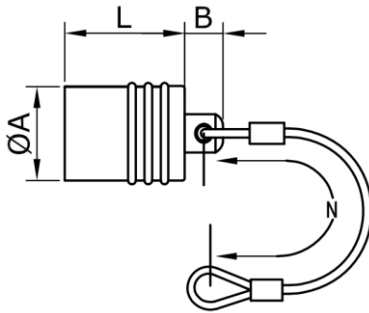
1. Dust Cap for Plug



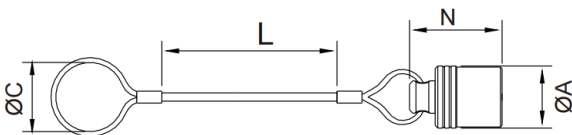
Reference		Dimensions(mm)			
Model	Series	A	L	N	C
MB-BFG.0B.CSS01	0B	10	65	17	8
MB-BFG.1B.CSS01	1B	12	75	17	10
MB-BFG.2B.CSS01	2B	15	80	18	13
MB-BFG.3B.CSS01	3B	19	95	23	16



Reference		Dimensions(mm)			
Model	Series	A	B	L	N
MB-BFG.0K.CSS01	0K	14.0	6	12.5	85
MB-BFG.1K.CSS01	1K	16	6	15.5	85
MB-BFG.2K.CSS01	2K	19.5	6	17.5	85
MB-BFG.3K.CSS01	3K	23.0	6	22.0	120

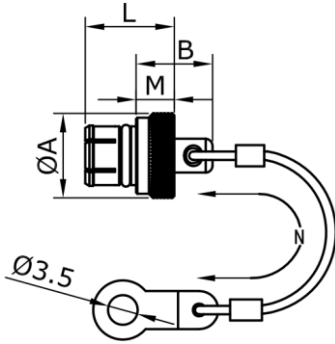


Reference		Dimensions(mm)			
Model	Series	A	B	L	N
MB-BFG.0F.CSS01	0F	9.8	4	12.5	65
MB-BFG.1F.CSS01	1F	12	4	13.5	85
MB-BFG.1.5F.CSS01	1.5F	14	4	12.5	85
MB-BFG.2F.CSS01	2F	16	4	15	120

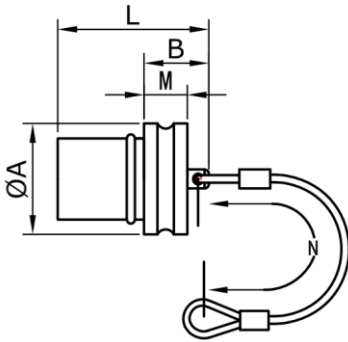


Reference		Dimensions(mm)			
Model	Series	A	L	N	C
MB-BFG.0S.CSS01	0S	10	65	17	8
MB-BFG.1S.CSS01	1S	12	75	17	10
MB-BFG.2S.CSS01	2S	15	80	18	13

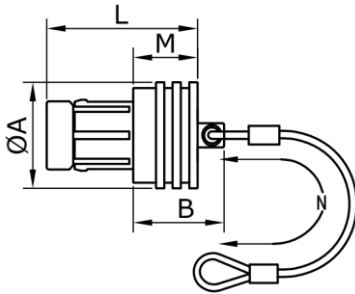
2. Dust Cap for Receptacle



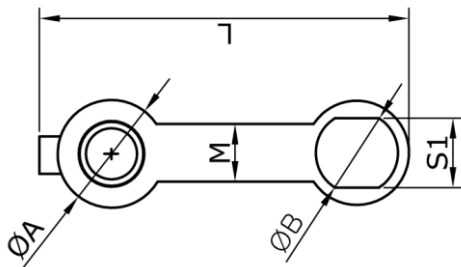
Reference		Dimensions(mm)				
Model	Series	A	B	L	M	N
MB-BRG.00.CSS03	00	7.5	7.5	8.8	3.5	60
MB-BRG.0*.CSS03	0S-0B	9.5	9.5	10.5	4.5	85
MB-BRG.1*.CSS03	1S-1B	11.0	11.0	15.5	5.0	85
MB-BRG.2*.CSS03	2S-2B	12.0	12.0	14.0	6.0	85
MB-BRG.3*.CSS03	3S-3B	14.0	14.0	18.0	8.0	120



Reference		Dimensions(mm)				
Model	Series	A	B	M	L	N
MB-BRG.0K.CSS01	0K	15	7	4	15	85
MB-BRG.1K.CSS01	1K	17	5.8	6	20	85
MB-BRG.2K.CSS01	2K	20.5	5.8	8	24	85



Reference		Dimensions(mm)				
Model	Series	A	B	L	M	N
MB-BRG.0F.CSS01	0F	10	7	12.8	3	60
MB-BRG.1F.CSS01	1F	14	12	23.4	8.5	85
MB-BRG.15F.CSS01	1.5F	14	11.7	21.6	8.5	85



Reference		Dimensions(mm)				
Model	Series	A	B	L	M	S1
MB-BRP.0B.PRBO1	0B	11.9	9.0	40	6.3	8.0
MB-BRP.1B.PRBO1	1B	14.1	12.0	60	7.2	10.5
MB-BRP.2B.PRBO1	2B	16.1	15.0	60	7.2	13.5

3. Bend Relief

Main Characteristics:

Material: TPU (Thermoplastic Polyurethane)

Temperature Range in Dry Atmosphere: -60°C +200°C



Shell Size	Cable ϕ		Dimension (mm)		Part Number
	Min	Max	ϕ	L	
00	2.8	3.1	2.8	22	MB-GMA.0*.030.DN
0B 0S 0K 0F	2.5	3.0	3.0	24	MB-GMA.0*.030.DN
	3.0	3.5	3.5	24	MB-GMA.0*.035.DN
	3.5	4.0	4.0	24	MB-GMA.0*.040.DN
	3.7	4.2	4.2	24	MB-GMA.0*.042.DN
	4.0	4.5	4.5	24	MB-GMA.0*.045.DN
	4.5	5.0	5.0	24	MB-GMA.0*.050.DN
1B 1S 1K 1F	2.5	3.0	3.0	30	MB-GMA.1*.030.DN
	3.5	4.0	4.0	30	MB-GMA.1*.040.DN
	4.0	4.5	4.5	30	MB-GMA.1*.045.DN
	4.5	5.0	5.0	30	MB-GMA.1*.050.DN
	5.5	6.0	6.0	30	MB-GMA.1*.060.DN
	6.5	7.0	7.0	30	MB-GMA.1*.070.DN
2B 2K	4.5	5.0	5.0	36	MB-GMA.2*.050.DN
	5.5	6.0	6.0	36	MB-GMA.2*.060.DN
	6.50	7.0	7.0	36	MB-GMA.2*.070.DN
	7.5	8.0	8.0	36	MB-GMA.2*.080.DN
	8.0	9.0	9.0	36	MB-GMA.2*.090.DN
3S 3B 3K	4.5	5.0	5.0	42	MB-GMA.3*.050.DN
	5.5	6.0	6.0	42	MB-GMA.3*.060.DN
	6.5	7.0	7.0	42	MB-GMA.3*.070.DN
	7.5	8.0	8.0	42	MB-GMA.3*.080.DN
	8.5	9.0	9.0	42	MB-GMA.3*.090.DN
	9.5	10.0	10.0	42	MB-GMA.3*.010.DN
	10.0	11.0	11.0	42	MB-GMA.3*.011.DN
	11.0	12.0	12.0	42	MB-GMA.3*.012.DN

Note:

The letter «N» of the part number indicates black color bend relief. For ordering a bend relief with another color, replace the letter «N» with the code of the required color.

A bend relief made from thermoplastic polyurethane can be fitted over Metabee plugs and cable receptacles that are supplied with nuts for fitting such bend relief. They are available in eight different colors. Each color has the code listed below.

Code	Color	Code	Color
A	Blue	B	Brown
B	White	N	Black
G	Gray	R	Red
J	Yellow	O	Orange

4. Housings, Contacts, Contacts Variants

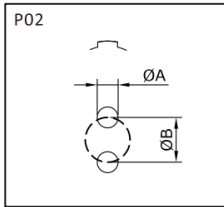
Ref.	Series	Material	Code	Colour	Code	Colour
Housings	F series	Brass	130	Natural Chrome Plated	140	Black Chrome Plated
	B series	Brass	C	Natural Chrome Plated	K	Black Chrome Plated
	K series	Brass	C	Natural Chrome Plated	K	Black Chrome Plated
	S series	Brass	C	Natural Chrome Plated	K	Black Chrome Plated
	P series	Plastic	G	Gray Color Outshell	N	Black Color Outshell

Ref.	Series	Material	Code	Color	Surface Treatment	Code	Color	Surface Treatment
Contacts	F series	Brass	A	Male Contact	Gold Plated	Z	Female Contact	Gold Plated
	B series	Brass	A	Male Contact	Gold Plated	L	Female Contact	Gold Plated
	K series	Brass	A	Male Contact	Gold Plated	L	Female Contact	Gold Plated
	S series	Brass	A	Male Contact	Gold Plated	L	Female Contact	Gold Plated
	P series	Brass	A	Male Contact	Gold Plated	L	Female Contact	Gold Plated

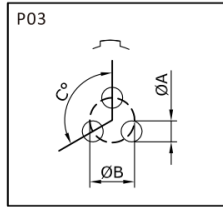
Ref.	Series	Material	Code	Variants	Surface Treatment	Code	Variants	Surface Treatment	Code	Variants	Surface Treatment
Contact Variants	F series	Brass	L	Solder	Gold Plated	N	PCB	Gold Plated	V	Elbow PCB	Gold Plated
	B series	Brass	L	Solder	Gold Plated	N	PCB	Gold Plated	V	Elbow PCB	Gold Plated
	K series	Brass	L	Solder	Gold Plated	N	PCB	Gold Plated	V	Elbow PCB	Gold Plated
	S series	Brass	L	Solder	Gold Plated	N	PCB	Gold Plated	V	Elbow PCB	Gold Plated
	P series	Brass	L	Solder	Gold Plated	N	PCB	Gold Plated	V	Elbow PCB	Gold Plated

PCB Drilling Pattern

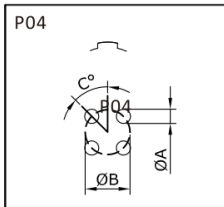
1. Fixed Receptacle with Straight Print Contact (B-K Series)



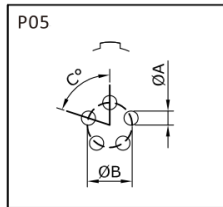
Series	Dimensions(mm)	
	A	B
00	0.6	1.2
0B-0K	0.8	2.2
1B-1K	0.8	2.8
2B-2K	0.8	4.4



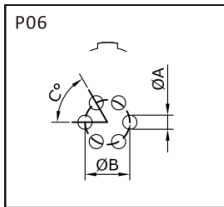
Series	Dimensions(mm)		
	A	B	C
00	0.6	1.35	120°
0B-0K	0.8	2.30	120°
1B-1K	0.8	3.00	120°
2B-2K	0.8	4.60	120°
3B-3K	0.8	5.60	120°



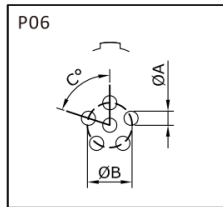
Series	Dimensions(mm)		
	A	B	C
00	0.6	1.6	45°
0B-0K	0.8	2.5	45°
1B-1K	0.8	3.1	45°
2B-2K	0.8	5.0	45°
3B-3K	0.8	6.2	45°



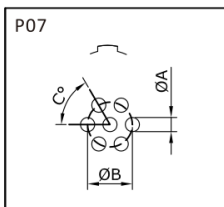
Series	Dimensions(mm)		
	A	B	C
0B-0K	0.6	2.8	72°
1B-1K	0.8	3.4	72°
2B-2K	0.8	5.2	72°
3B-3K	0.8	6.7	72°



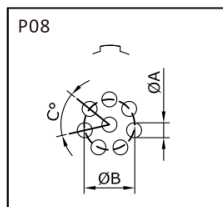
Series	Dimensions(mm)		
	A	B	C
0B-0K	0.6	3.0	60°
1B-1K	0.8	3.7	60°



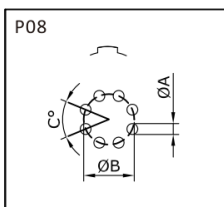
Series	Dimensions(mm)		
	A	B	C
2B-2K	0.8	5.6	72°
3B-3K	0.8	7.1	72°



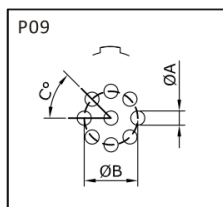
Series	Dimensions(mm)		
	A	B	C
0B-0K	0.6	3.0	60°
1B-1K	0.8	3.7	60°
2B-2K	0.8	5.8	60°
3B-3K	0.8	7.08	60°



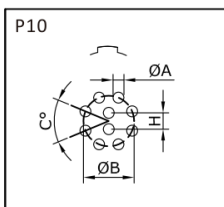
Series	Dimensions(mm)		
	A	B	C
1B-1K	0.8	3.8	51°26'



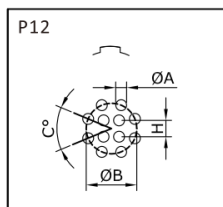
Series	Dimensions(mm)		
	A	B	C
2B-2K	0.8	6.4	45°
3B-3K	0.8	7.5	45°



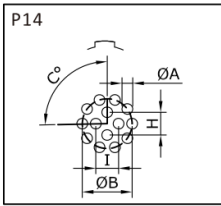
Series	Dimensions(mm)		
	A	B	C
0B-0K	0.6	3.2	45°
3B-3K	0.8	7.5	45°



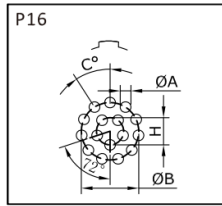
Series	Dimensions(mm)			
	A	B	C	H
1B-1K	0.6	3.95	45°	1.40
2B-2K	0.8	6.2	45°	2.15
3B-3K	0.8	7.9	45°	2.80



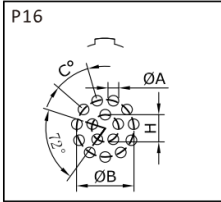
Series	Dimensions(mm)			
	A	B	C	H
2B-2K	0.8	6.5	45°	2.80
3B-3K	0.8	8.2	45°	3.40



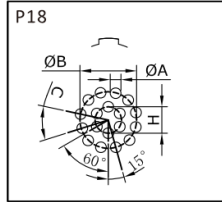
Series	Dimensions(mm)				
	A	B	C	H	I
1B-1K	0.6	4.4	90°	1.90	1.80
2B-2K	0.8	6.5	90°	2.65	2.65
3B-3K	0.8	8.2	90°	3.40	3.40



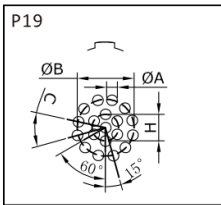
Series	Dimensions(mm)			
	A	B	C	H
1B-1K	0.6	4.4	32°44'	2.0



Series	Dimensions(mm)			
	A	B	C	H
2B-2K	0.8	6.6	32°44'	3.10
3B-3K	0.8	8.4	32°44'	3.86

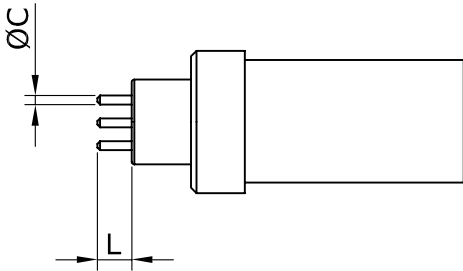


Series	Dimensions(mm)			
	A	B	C	H
2B-2K	0.8	6.7	30°	3.5
3B-3K	0.8	8.4	30°	4.34



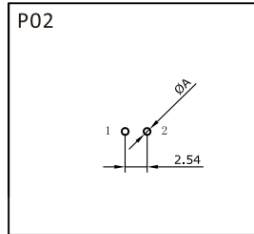
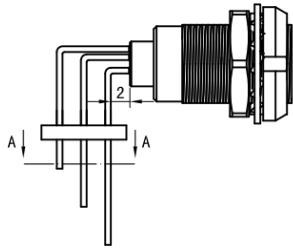
Series	Dimensions(mm)			
	A	B	C	H
2B-2K	0.8	6.7	30°	3.50

2. Length of Straight Print Contacts (for Receptacle)

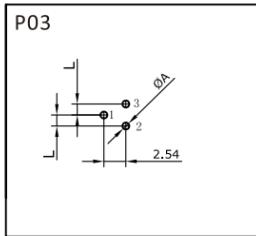


Series	Contact No.	Dimensions(mm)	
		C	L
00	302	0.5	3.0
	303	0.5	3.0
	304	0.5	3.0
0B 0K	302/303	0.7	3.2
	304/305	0.5	3.2
	306/307/309	0.5	3.2
1B 1K	302/303/303/304/305	0.7	3.0
	306/307/308	0.7	3.0
	310/314/316	0.5	4.0
2B 2K	302/303/304/305/306/307	0.7	3.0
	308/310/314/316/318/319	0.7	3.0
	326/332	0.5	3.0
3B 3K	303/304/305/306/307	0.7	3.0
	308/309/310/312/314/316/318	0.7	3.0
	320/322/324/326/330	0.5	5.0

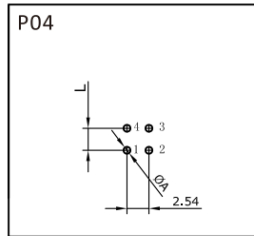
2. Fixed Receptacle with Elbow Print Contact (B-K Series)



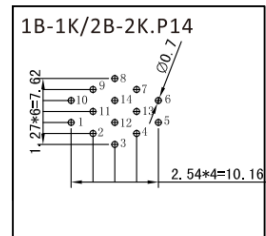
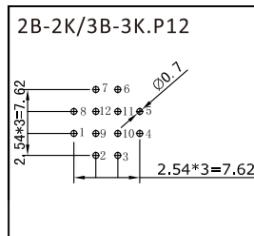
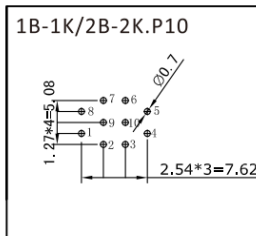
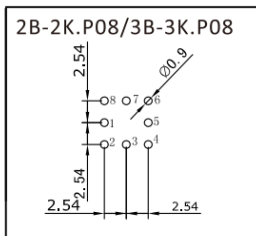
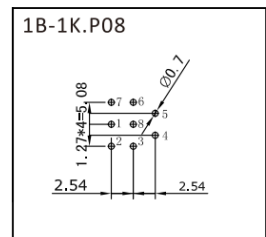
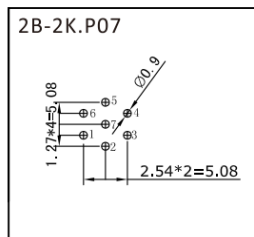
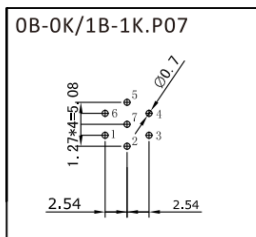
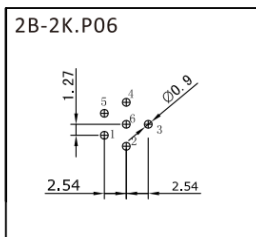
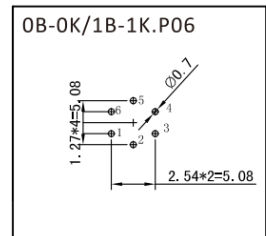
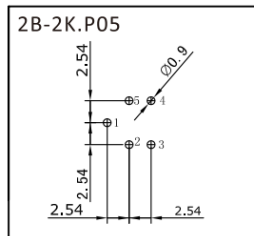
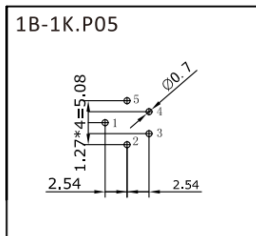
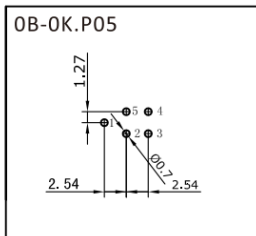
Series	Dimensions (mm)	
	A	
00	0.6	
0B-0K	0.7	
1B-1K	0.9	
2B-2K	0.9	

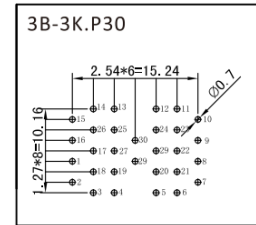
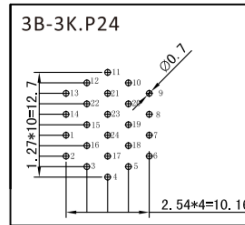
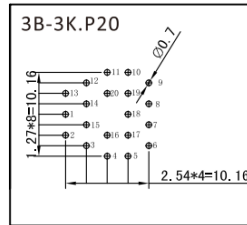
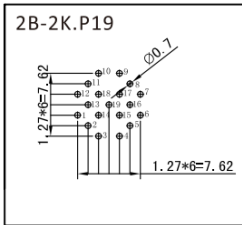
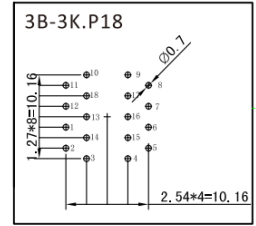
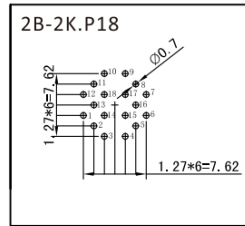
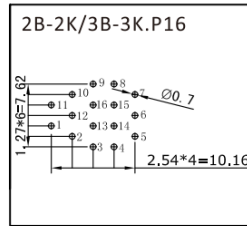
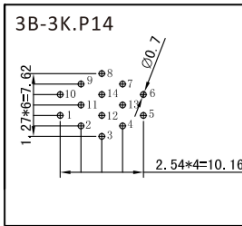
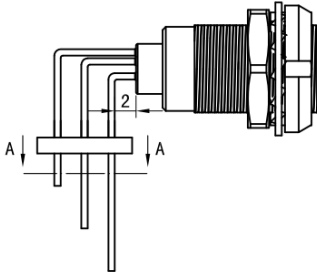


Series	Dimensions(mm)	
	A	L
00	0.6	1.27
0B-0K	0.7	1.27
1B-1K	0.9	1.27
2B-2K	0.9	2.54



Series	Dimensions(mm)	
	A	L
00	0.6	2.54
0B-0K	0.7	2.54
1B-1K	0.7	2.54
2B-2K	0.9	3.50





Customized Cable Assemblies



We can provide various customized cable assemblies according to your unique requirements. If you want a customized cable assembly, please [contact us](#) or send an email to sales@metabeeai.com.

Together, We Thrive

Our team of passionate experts brings a wealth of experience to the table, ready to collaborate with you and unlock your full potential. By joining forces, we can create innovative solutions and achieve remarkable things.



CONTACT US

Phone: +86 159 2624 1606

E-mail: sales@metabeeai.com

Web: www.metabeeai.com

Address: Room 601, Building 3, Wanhe Center, Guanghua North 3rd Road, Qingyang District, Chengdu, China