

Brands We Work With

We are fortunate to work alongside world-class brands for many electronic projects and trusted by them. Will your name be next on this list ?

IETABEE
Industrial Connector Specialist

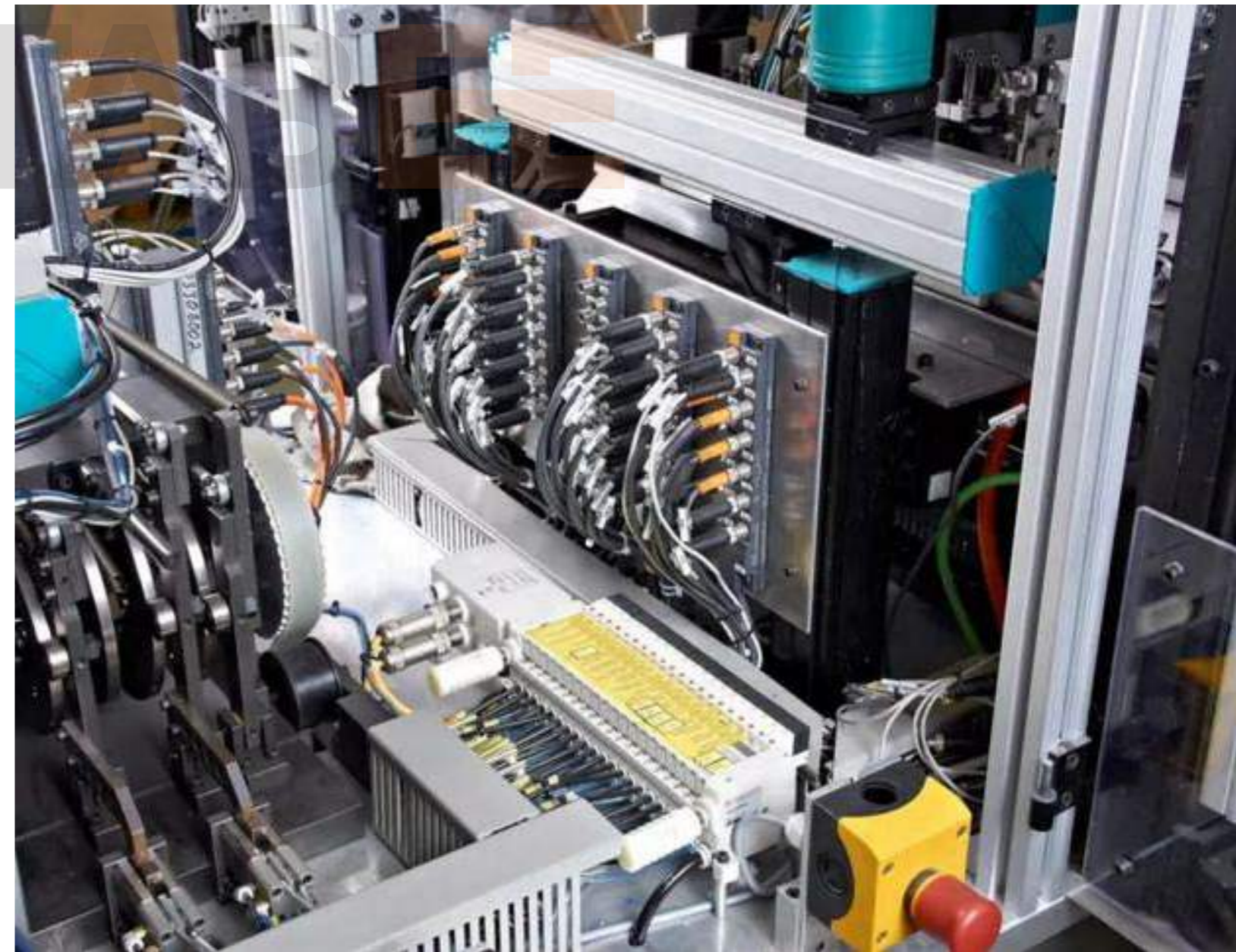
M Series Connectors & Cable Adapters



CONTACT US

Phone: +86 159 2624 1606
E-mail: sales@metabeeai.com
Web: www.metabeeai.com

Address: Room 708, 7th Floor, Building 2, No. 489, Guanghuadong Third Road, Qingyang District, Chengdu, Sichuan, China





+ CATEGORIES

We stand behind all of our high quality products.
With everything we manufacture we use the best processes and materials available.

01 About Us

Company Profile	01
Inspection Equipment	03
IO-link Technology	05

Metabee (Chengdu) Technology Co., Ltd.

180+ Countries	300+ Workers	20,000M² Production Workshop	16,0000,00 Group Assets
--------------------------	------------------------	---	-----------------------------------

Metabee (Chengdu) Technology Co., Ltd. established in 2022 located in Sichuan Province with convenient transportation. Our associated factory Jiangmen Dosin specialize in producing RF connectors, M series connectors, and cables.

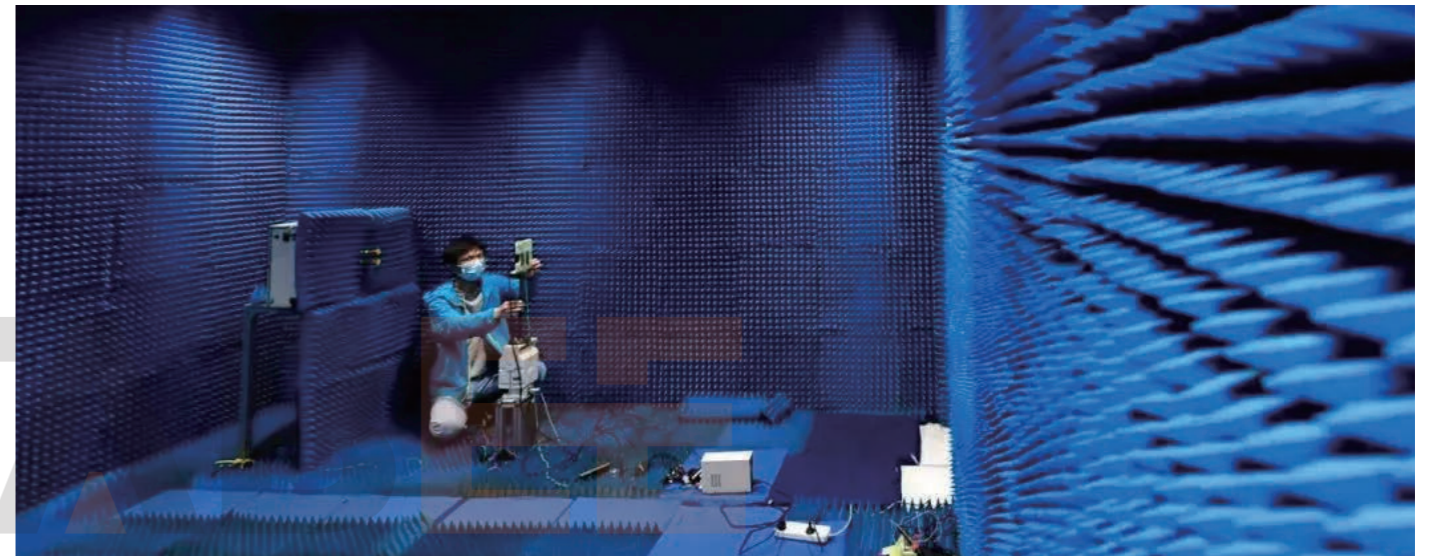
We are committed to being the world's leading Manufacturer of electronic connectors and industrial cables. We have developed more than 20 product series and more than 5,000 varieties. These products have been widely sold to many countries and regions around the world. They are mainly used for outdoor lighting automation machinery, new energy vehicles, charging equipment, electricity generation facilities, and other industries.

We can also support OEM ODM and customized related products. All products have owned American UL, German TUV, and Europe CE ROHS certifications and have several design patents. Our associated factory has production workshop with an area of 20,000 square meters, more than 300 employees, 30 international advanced production lines, and tens of precision testing equipment. Moreover, we have constructed a specialized laboratory for product research and development. Our reliable product quality, good service, and rapid technical have helped us win many customers in China and overseas markets.

Metabee (Chengdu) Technology Co., Ltd. has become the leading technology and scale Enterprise in the connector field. We have a reliable reputation among our customers because of our professional services, quality products, and competitive prices. We welcome customers from home and abroad to cooperate with us for Common success.

02 Product Categories

Order P/N	07
M5	09
M8	12
M9	22
M12	26
M14	49
M16	52
M23	58
7/8	63



Automatic Insertion Force Test Machine



High Voltage Insulation Tester



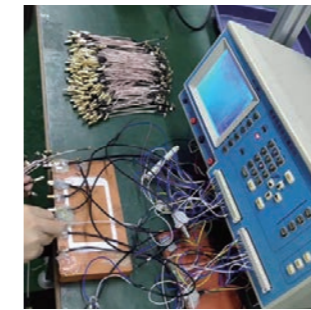
S-parameter Vector Network Analyzer(VNA)



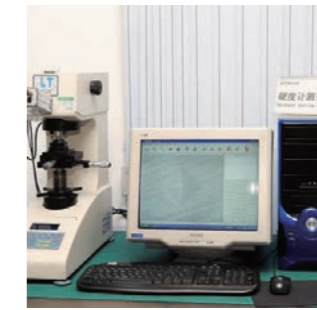
Salt Spray Test Machine



Constant Temperature and Humidity Machine



Precision Connector Tester



Hardness Testing Machine



X Ray Fluorescence Analyzer

协议介绍

IO-link连接技术

IO-LINK TECHNOLOGY

标准化数据接口在工业上越来越广泛，满足了复杂生产系统的分布式控制以及日益提高的信息和数据快速交换的要求，与办公领域不同的是，工业环境应用对于连接器、连接技术以及接线提出了非常严格的要求，正成电气产品已经覆盖了目前大部分主流的网络总线协议和现场总线协议产品。

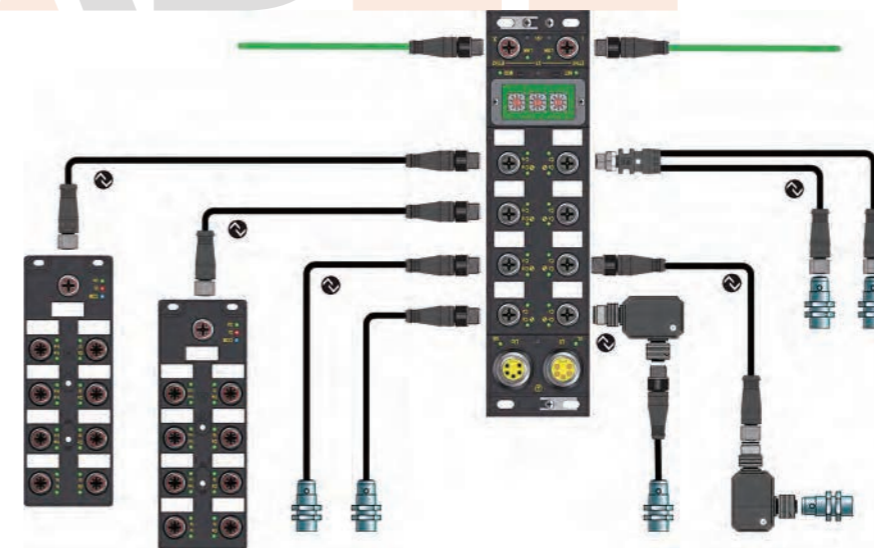
系列产品包含了组装机、预制电缆、穿板式连接、PCB板式等各种类型的全方面的安装解决方案。

Standardized data interfaces are more and more widely used in industry to meet the distributed control of complex production systems and the increasing demand for rapid exchange of information and data. Different from the office field, the industrial environment applications put forward very strict requirements for connectors, connection technology and wiring, CAZN-LINK electric products have covered most of the current mainstream network bus protocol and field bus protocol products.

The series of products include assembly, prefabricated cable, through panel mount, PCB board and other types of installation solutions in all aspects.



METABEE



IO-link连接技术示意图
Schematic diagram of IO-link connection technology

CANopen

Sercos
the automation bus

EtherNet/IP

CC-Link IE Field

CC-Link

DeviceNet

EtherCAT

PROFI
BUS

PROFI
NET

INTERBUS

ASi
SAFETY AT WORK

CAT 6A
10 Gigabit

订货规则

全新客户定制编号规则

NEW CUSTOM NUMBERING RULES

M12 - P 8 A - G W A P7 - 1 PV -S

系列号(Serie):
M5、M8、M9、M12、M16、M623、M923、7/8等
M5、M8、M9、M12、M16、M623、M923、7/8.ect

公母(Male & Female):
P: 针型 S: 孔型
P: Male type S: Female type

芯数(Contacts number):
2、3、4、5、6、7、8、12、14、16、17、19、21、24等
2、3、4、5、6、7、8、12、14、16、17、19、21、24.ect

接口型号(Code):
A、B、C、D、K、L、M、S、T、Y、X等
A、B、C、D、K、L、M、S、T、Y、X.ect

材质(Material quality):
G: 金属插座/插头(Metal socket/plug)
P: 塑料插座/插头(Plastic socket/plug)
M: 成型式插头(Formed plug)

接线方式(Connection):
W: 焊接(Welding)
P: 插接(Insertion)
S: 贴片(Patch)
L: 螺钉(Screw)
C: 压接(Crimping)
T: 通孔(Through-hole)

结构(Structure):
A: 直式插头(Straight plug)
D: 弯式插头(Curved plug)
B: 板前安装插座(Installation socket in front of the board)
F: 板后安装插座(Installing sockets behind the board)
H: 方形法兰插座(Square flange socket)
L: 弯针插座(Curved pin socket)
S: 贴片式插座(SMD socket)
O: 终端电阻插头(Terminal resistor plug)

屏蔽(Shield):
-S: 有屏蔽
空: 无屏蔽
-S: Shielded
Empty: No shielding

线材(Cable material):
PV: PVC
PU: 包含TPU和PUR(TUP and PUR)
TF: 铁氟龙(PTFE)
PE: PE

线长(Cable length):
以 (M) 米为单位
In (M) meters

尾部出线口与板端螺口:
(Tail outlet & Plate end screw mouth):
O8: φ8mm
P7: PG7
M12: M12
..... 等

防水等级

专业防固保护及IP防水保护

PROFESSIONAL ANTI-SOLID PROTECTION AND IP WATERPROOF PROTECTION

连接器上的外壳，密封件及锁扣装置使连接器的电气部 The housing, seals and latching devices on the connector protect the electrical part of the connector from external environmental influences such as shock, foreign bodies, moisture, dust, water or detergents, coolants, oils and other liquids.
件免受外界环境影响，比如冲击、异物、湿气、灰尘、moisture, dust, water or detergents, coolants, oils and other liquids.
水或清洁剂、冷却液、油等其它液体的入侵。

下面是防护等级一览表 BELOW IS A LIST OF PROTECTION LEVELS

数字 Protection Level	保护范围 First Digit: Solids Protection	数字 Protection Level	保护范围 Second Digit: Moisture Protection
0	无安全防护: 无接触保护, 无防固体异物保护。 Not rated for protection against contact or ingress (or no rating supplied).	0	无防水保护。 Not rated (or no rating supplied) for protection against ingress of this type.
1	防大件异物保护: 防止手部大面积接触, 防止直径大于50mm的异物。 Protection against solid objects larger than 50 mm (e.g. accidental contact with any large surface of the body, but not deliberate body contact).	1	防滴水保护: 防止垂直滴落的水滴。 Protection against vertically dripping water. No harmful effects when the item is upright.
2	防中等大小异物保护: 防止手指接触, 防止直径大于12.5mm的异物。 Protection against solid objects larger than 12 mm (e.g. accidental finger contact).	2	防倾斜滴水保护: 防止倾斜滴落的水滴(在垂直面15° 以内的任意角度)。 Protection against vertically dripping water. No harmful effects when tilted up to 15° from normal position.
3	防小件异物保护: 防止工具, 铁丝等直径大于2.5mm的物体接触, 防止直径大于2.5mm的异物。 Protection against solid objects larger than 2.5 mm (e.g. tools).	3	防洒水保护: 防止来自垂直面60° 以内任意角度的洒水。 Protection against water sprayed directly at any angle up to 60° off vertical.
4	防颗粒状异物保护: 同3中所述, 防异物直径大于1mm。 Protection against solid objects larger than 1 mm (e.g. small objects such as nails, screws, insects).	4	防溅水保护: 防止来自各个方向的溅水。 Protection against splashing water from any direction. No harmful effects when tested for at least 10 minutes with an oscillating spray (limited ingress permitted).
5	防灰尘沉积保护: 防止接触, 防止内部灰尘沉积。 Dust protected: partial protection against dust and other particulates (permitted ingress will not compromise the performance of internal components).	5	防射水保护: 防止来自任意角度的喷射喷水(喷嘴)。 Protection against low-pressure jets. No harmful effects when water projected in jets from 6.3 mm nozzle, from any direction.
6	防灰尘进入保护: 全面防止接触, 防止灰尘进入。 Dust tight: full protection against dust and other particulates.	6	防强烈喷水保护: 防止暂时性的淹水。 Protection against powerful water jets. No harmful effects when water projected in jets from 12.5 mm nozzle, from any direction.
		7	防浸水保护: 防止暂时性的浸水。 Protection against full immersion at up to 1 meter depth for up to 30 minutes. Limited ingress permitted with no harmful effects.
		8	防潜水保护: 防止长时间浸没时加压水进入。 Protection against immersion beyond 1 meter. Equipment is suitable for continuous immersion in water. The manufacturer may specify conditions.

M5系列 M5 SERIE

产品芯数：3、4芯
Pins number: 3-4 pins

插头：带电缆长度可任意定制
Plug: The length of cable can be customized

插座：板前安装 板后安装焊线及PCB板式
Socket: Front Mount Solder Type, Back Mount Solder Type and PCB board type

防水等级：IP65 IP67
Waterproof grade: IP65 IP67

产品符合IEC 61076-2-105标准
The products comply with IEC 61076-2-105 standard



产品参数 PRODUCT PARAMETERS

壳体材料 Shell material	黄铜镀镍 Brass nickel plated	接触阻抗 Contact impedance	≤3mΩ
密封材料 Sealing material	环氧树脂/橡胶 Epoxy resin/Rubber	插拔次数 Durability	≥500次(Cycles)
插针材料 Contact material	磷铜镀金/黄铜镀金 Phosphorus copper gold-plated/Brass copper gold-plated	绝缘阻抗 Insulation impedance	≥100MΩ
胶芯材料 Insulator material	PA66	适用温度 Applicable temperature	-25°C ~ +85°C
成型材料 Molding material	TPU/PVC		

产品图 PRODUCT FIGURE	名称/型号 NAME/TYPE No.	尺寸图 DIMENSIONS
	直式孔型成型插头 M5 Straight Female Overmolded Plug M5 - S 3 - MWA - 1 PV 芯数: 3 插长(M): 1:1M, 2.5:2.5M 材料: PV/PVC, PU/PU, TF:铁氟龙, PE:PE	
	直式针型成型插头 M5 Straight Male Overmolded Plug M5 - P 3 - MWA - 1 PV 芯数: 3 插长(M): 1:1M, 2.5:2.5M 材料: PV/PVC, PU/PU, TF:铁氟龙, PE:PE	
	弯式孔型成型插头 M5 Angled Female Overmolded Plug M5 - S 3 - MWD - 1 PV 芯数: 3 插长(M): 1:1M, 2.5:2.5M 材料: PV/PVC, PU/PU, TF:铁氟龙, PE:PE	
	弯式针型成型插头 M5 Angled Male Overmolded Plug M5 - P 3 - MWD - 1 PV 芯数: 3 插长(M): 1:1M, 2.5:2.5M 材料: PV/PVC, PU/PU, TF:铁氟龙, PE:PE	
	板前安装针型插座 焊线式 螺牙M5x0.5 M5 Male Front Mount Socket (Solder, Screw M5*0.5) M5 - P 3 - GWB M5 芯数: 3	
	板前安装孔型插座 焊线式 M5 Female Front Mount Socket (Solder) M5 - S 3 - GWB M5 芯数: 3	
	板前安装孔型插座 插板式 M5 Female Front Mount Socket (PCB) M5 - S 3 - GPB M5 芯数: 3	
	板后安装针型插座 焊线式 M5 Male Back Mount Socket (Solder) M5 - P 3 - GWF M5 芯数: 3	

产品图 PRODUCT FIGURE	名称/类型号 NAME/TYPE NO.	尺寸图 DIMENSIONS
	板后安装针型插座 插板式 M5 Male Back Mount Socket (PCB) M5 - P 3 - GPF M5 	
	板后安装孔型插座 焊线式 M5 Female Back Mount Socket (Solder) M5 - S 3 - GWF M7 	
	板后安装孔型插座 插板式 M5 Female Back Mount Socket (PCB) M5 - S 3 - GPF M7 	

M8系列 M8 SERIE

产品芯数: 3、4、5、6、8芯

Pins Number: 3 4 5 6 8 pins

大部分连接器360°全屏蔽

Most connectors are excellent for full shielding at 360 degrees

插头: 组装式, 注塑带电缆式 (长度可任意定制)

Plug: assembly, Overmolded cable type (length can be customized at will)

插座: 板前安装、板后安装焊线及PCB板式

Socket: Front Mount Solder Type, Back Mount Solder Type and PCB board type

防水等级: IP65、IP67

Waterproof grade: Ip65 IP67

产品符合IEC 61076-2-104标准

Products comply with IEC 61076-2-104 standard



M5·电气参数 M5 ELECTRICAL PARAMETERS

芯数 Pins	针型 Male	额定电流 Rated current	额定电压 Rated voltage		导体规格 Conductor size		孔型 Female
			A/C	D/C	AWG	mm ²	
3		1A	60V	60V	26	0.14	
4		1A	60V	60V	26	0.14	

M5·焊板式芯位图 M5 PCB PINS ARRANGEMENT

芯数 Pins	3	4	芯数 Pins	3	4
针型 Male			孔型 Female		

M5·接线定义 M5 WIRE DEFINITION

芯位 Pins	线芯颜色 Wire core color
3芯(Pins)	
1	BN
2	-
3	BU
4	BK

芯位 Pins	线芯颜色 Wire core color
4芯(Pins)	
1	BN
2	WH
3	BU
4	BK

*接线定义按常规标准, 如按协议或者其他请联系我司业务。
Wiring definition according to conventional standards, if according to the agreement or other please contact our sales.

产品参数 PRODUCT PARAMETERS

壳体材料 Shell material	锌合金镀镍/黄铜镀镍 Brass nickel-plated/Zinc alloy nickel-plated	接触阻抗 Contact impedance	≤5mΩ
密封材料 Sealing material	环氧树脂/橡胶 Epoxy resin/Rubber	插拔次数 Durability	≥500次(Cycles)
插针材料 Contact material	黄铜/磷铜镀金 Brass/Phosphorus copper gold-plated	绝缘阻抗 Insulation impedance	≥100MΩ
胶芯材料 Insulator material	PA66	适用温度 Applicable temperature	-25°C ~ +80°C
成型材料 Molding material	TPU/PVC		

产品图 PRODUCTFIGURE	名称/型号 NAME/TYPE NO.	尺寸图 DIMENSIONS
	直式孔型金属组装式插头 螺钉式 M8 Straight Female Metal Assembled Plug (Screw terminal) M8 - S 3A - GLA 05 	
	直式针型金属组装式插头 螺钉式 M8 Straight Male Metal Assembled Plug (Screw terminal) M8 - P 3A - GLA 05 	
	直式孔型塑胶组装式插头 螺钉式 M8 Straight Female Metal Assembled Plug (Screw terminal) M8 - S 3A - PLA 05 - GM 	
	直式针型塑胶组装式插头 螺钉式 M8 Straight Male Metal Assembled Plug (Screw terminal) M8 - P 3A - PLA 05 - GM 	
	直式孔型塑胶组装式插头 螺钉式 M8 Straight Female Plastic Assembled Plug (Screw terminal) M8 - S 3A - PLA 05 	
	直式针型塑胶组装式插头 螺钉式 M8 Straight Male Plastic Assembled Plug (Screw terminal) M8 - P 3A - PLA 05 	
	弯式孔型塑胶组装式插头 螺钉式 M8 Angled Female Plastic Assembled Plug (Screw terminal) M8 - S 3A - PLD 05 	
	弯式针型塑胶组装式插头 螺钉式 M8 Angled Male Plastic Assembled Plug (Screw terminal) M8 - P 3A - PLD 05 	

产品图 PRODUCTFIGURE	名称/型号 NAME/TYPE NO.	尺寸图 DIMENSIONS
非屏蔽款/Unshielded 屏蔽款/Shielded	直式孔型成型插头 M8 Straight Female Overmolded Plug M8 - S 3A - MWA - 1 PV - S 	
非屏蔽款/Unshielded 屏蔽款/Shielded	直式孔型成型插头 阻尼款 M8 Straight Female Overmolded Plug (with damping) M8 - S 3A - MWA - 1 PV - S - AM 	
	直式孔型成型插头 LED款 M8 Straight Female Overmolded Plug (LED) M8 - S 3A - MWA - 1 PV - LP2 	
	直式孔型成型插头 快插款 M8 Straight Female Overmolded Plug (Push-pull) M8 - S 3A - MWA - 1 PV - KC 	
非屏蔽款/Unshielded 屏蔽款/Shielded	直式针型成型插头 M8 Straight Male Overmolded Plug M8 - P 3A - MWA - 1 PV - S 	
非屏蔽款/Unshielded 屏蔽款/Shielded	直式针型成型插头 金属口款 M8 Straight Male Overmolded Plug (Metal interface) M8 - P 3A - MWA - 1 PV - S - GK 	
非屏蔽款/Unshielded 屏蔽款/Shielded	直式针型成型插头 阻尼款 M8 Straight Male Overmolded Plug (with damping) M8 - P 3A - MWA - 1 PV - S - AM 	
	直式针型成型插头 LED款 M8 Straight Male Overmolded Plug (LED) M8 - P 3A - MWA - 1 PV - LP2 	

产品图 PRODUCT FIGURE	名称/类型号 NAME/TYPE NO.	尺寸图 DIMENSIONS
	直式针型成型插头 快插款 M8 Straight Male Overmolded Plug (Push-pull) M8 - P 3A - MWA - 1 PV - KC 芯数: A: 3A 4A, B: 5B 线长(M): 1.1M, 2.5-2.5M 线材: PV-PVC, PU-PU, TF-铁氟龙, PE-PE	 ø9, 32.45
非屏蔽款/Unshielded 屏蔽款/Shielded	弯式孔型成型插头 M8 Angled Female Overmolded Plug M8 - S 3A - MWD - 1 PV - S 芯数: A: 3A 4A, 6A 8A, B: 5B, D: 4D 线长(M): 1.1M, 2.5-2.5M 线材: PV-PVC, PU-PU, TF-铁氟龙, PE-PE S: 屏蔽, 空: 非屏蔽	 35.3, 21.5, ø10, M8x1
非屏蔽款/Unshielded 屏蔽款/Shielded	弯式针型成型插头 M8 Angled Male Overmolded Plug M8 - P 3A - MWD - 1 PV - S 芯数: A: 3A 4A, 6A 8A, B: 5B, D: 4D 线长(M): 1.1M, 2.5-2.5M 线材: PV-PVC, PU-PU, TF-铁氟龙, PE-PE S: 屏蔽, 空: 非屏蔽	 35.3, 26, ø10, M8x1
非屏蔽款/Unshielded 屏蔽款/Shielded	弯式针型成型插头 金属口款 M8 Angled Male Overmolded Plug (Metal interface) M8 - P 3A - MWD - 1 PV - S - GK 芯数: A: 3A 4A, B: 5B 线长(M): 1.1M, 2.5-2.5M 线材: PV-PVC, PU-PU, TF-铁氟龙, PE-PE S: 屏蔽, 空: 非屏蔽	 35.3, 26, ø10, M8x1
非屏蔽款/Unshielded 屏蔽款/Shielded	一分二孔型成型插头 M8 Female 1 to 2 Overmolded Plug M8 - S 3A - MWA - 1 PV - S - 1T2 芯数: A: 3A 4A, 6A 8A, B: 5B 线长(M): 1.1M, 2.5-2.5M 线材: PV-PVC, PU-PU, TF-铁氟龙, PE-PE S: 屏蔽, 空: 非屏蔽	 43.5, ø10, M8x1
非屏蔽款/Unshielded 屏蔽款/Shielded	一分二针型成型插头 M8 Male 1 to 2 Overmolded Plug M8 - P 3A - MWA - 1 PV - S - 1T2 芯数: A: 3A 4A, 6A 8A, B: 5B 线长(M): 1.1M, 2.5-2.5M 线材: PV-PVC, PU-PU, TF-铁氟龙, PE-PE S: 屏蔽, 空: 非屏蔽	 48.5, ø10, M8x1
	板前安装针型插座 焊线式 螺牙M8x0.5 M8 Male Front Mount Socket (Solder, Screw M8*0.5) M8 - P 3A - GWB M8 芯数: A: 3A 4A, 6A 8A, B: 5B, D: 4D	 11.2, M8x1, 16.5, M8x0.5, 开孔尺寸 hole opening size: 7.2, ø8.1
	板前安装针型插座 插板式 螺牙M8x0.5 M8 Male Front Mount Socket (PCB, Screw M8*0.5) M8 - P 3A - GPB M8 芯数: A: 3A 4A, B: 5B	 11.2, M8x1, 16.5, M8x0.5, 开孔尺寸 hole opening size: 7.2, ø8.1

产品图 PRODUCT FIGURE	名称/类型号 NAME/TYPE NO.	尺寸图 DIMENSIONS
	板前安装针型插座 焊线式 螺牙M8x0.5 金属口款 M8 Male Front Mount Socket (Solder, Screw M8*0.5, Metal interface) M8 - P 3A - GWB M8 - GK 芯数: A: 3A 4A, B: 5B	 11.2, M8x1, 16.5, M8x0.5, 开孔尺寸 hole opening size: 7.2, ø8.1
	板前安装针型插座 插板式 螺牙M8x0.5 金属口款 M8 Male Front Mount Socket (PCB, Screw M8*0.5, Metal interface) M8 - P 3A - GPB M8 - GK 芯数: A: 3A 4A, B: 5B	 11.2, M8x1, 16.5, M8x0.5, 开孔尺寸 hole opening size: 7.2, ø8.1
	板前安装孔型插座 焊线式 螺牙M8x0.5 M8 Female Front Mount Socket (Solder, Screw M8*0.5) M8 - S 3A - GWB M8 芯数: A: 3A 4A, 6A 8A, B: 5B, D: 4D	 11.2, ø9.5, M8x1, 15.5, M8x0.5, 开孔尺寸 hole opening size: 7.2, ø8.1
	板前安装孔型插座 插板式 螺牙M8x0.5 M8 Female Front Mount Socket (PCB, Screw M8*0.5) M8 - S 3A - GPB M8 芯数: A: 3A 4A, 6A 8A, B: 5B, D: 4D	 11.2, ø9.5, M8x1, 15.5, M8x0.5, 开孔尺寸 hole opening size: 7.2, ø8.1
	板前安装孔型插座 焊线式 螺牙M8x0.5 子弹型 M8 Female Front Mount Socket (Solder, Screw M8*0.5, bullet type) M8 - S 3A - GWB M8 - ZD 芯数: A: 3A 4A, 6A 8A, B: 5B, D: 4D	 11, M8x1, 16, M8x0.5, 开孔尺寸 hole opening size: 7.2, ø8.1
	板后安装针型插座 焊线式 螺牙M8x1 M8 Male Back Mount Socket (Solder, Screw M8*1) M8 - P 3A - GWF M8 芯数: A: 3A 4A, 6A 8A, B: 5B, D: 4D	 M8x1, 17.8, ø8.5, 11.2, 开孔尺寸 hole opening size: 7.2, ø8.1
	板后安装针型插座 插板式 螺牙M8x1 M8 Male Back Mount Socket (PCB, Screw M8*1) M8 - P 3A - GPF M8 芯数: A: 3A 4A, 6A 8A, B: 5B, D: 4D	 M8x1, 17.8, ø8.5, 11.2, 开孔尺寸 hole opening size: 7.2, ø8.1
	板后安装针型插座 焊线式 螺牙M8x1 金属口款 M8 Male Back Mount Socket (Solder, Screw M8*1, Metal interface) M8 - P 3A - GWF M8 - GK 芯数: A: 3A 4A, B: 5B	 M8x1, 17.8, ø8.5, 11.2, 开孔尺寸 hole opening size: 7.2, ø8.1

产品图 PRODUCT FIGURE	名称/类型号 NAME/TYPE NO.	尺寸图 DIMENSIONS
	板后安装针型插座 插板式 螺牙M8x1 金属接口 M8 Male Back Mount Socket (PCB, Screw M8*1, Metal interface) M8 - P 3A - GPF M8 - GK 芯数: A: 3A 4A B: 5B	 开孔尺寸 hole opening size ø8.1 7.2 17.5 11.2 ø8.5
	板后安装针型插座 焊线式 螺牙M11x1 M8 Male Back Mount Socket (Solder, Screw M11*1) M8 - P 3A - GWF M11 芯数: A: 3A 4A 6A 8A B: 5B D: 4D	 开孔尺寸 hole opening size ø11.1 ø10.1 17.8
	板后安装针型插座 插板式 螺牙M11x1 M8 Male Back Mount Socket (PCB, Screw M11*1) M8 - P 3A - GPF M11 芯数: A: 3A 4A 6A 8A B: 5B D: 4D	 开孔尺寸 hole opening size ø11.1 ø10.1 17.8
	板后安装孔型插座 焊线式 螺牙M11x1 M8 Female Back Mount Socket (Solder, Screw M11*1) M8 - S 3A - GWF M11 芯数: A: 3A 4A 6A 8A B: 5B D: 4D	 开孔尺寸 hole opening size ø11.1 ø10.1 15.5 8
	板后安装孔型插座 插板式 螺牙M11x1 M8 Female Back Mount Socket (PCB, Screw M11*1) M8 - S 3A - GPF M11 芯数: A: 3A 4A 6A 8A B: 5B D: 4D	 开孔尺寸 hole opening size ø11.1 ø10.1 15.5 8
	板后安装孔型插座 焊线式 螺牙M12x1 M8 Female Back Mount Socket (Solder, Screw M12*1) M8 - S 3A - GWF M12 芯数: A: 3A 4A 6A 8A B: 5B D: 4D	 开孔尺寸 hole opening size ø12.1 ø10.1 15.5 12 14
	板后安装孔型插座 插板式 螺牙M12x1 M8 Female Back Mount Socket (PCB, Screw M12*1) M8 - S 3A - GPF M12 芯数: A: 3A 4A 6A 8A B: 5B D: 4D	 开孔尺寸 hole opening size ø12.1 ø10.1 15.5 12 14
	板后安装针型插座 插板式 螺牙M8x1 接地款 M8 Male Back Mount Socket (PCB, Screw M8*1, Grounded type) M8 - P 3A - GPF M8 - JD 芯数: A: 3A 4A 6A 8A B: 5B D: 4D	 开孔尺寸 hole opening size ø8.1 7.2 17.5 5 5.1

产品图 PRODUCT FIGURE	名称/类型号 NAME/TYPE NO.	尺寸图 DIMENSIONS
	板后安装孔型插座 插板式 螺牙M10x0.75 接地款 M8 Female Back Mount Socket (PCB, Screw M10*0.75, Grounded type) M8 - S 3A - GPF M10 - JD 芯数: A: 3A 4A 6A 8A B: 5B D: 4D	 开孔尺寸 hole opening size ø10.1 9.1 15.5 5 5.1
	弯针针型插座 插板式 螺牙M8x1 接地款 M8 Angled Male Back Mount Socket (PCB, Screw M8*1, Grounded type) M8 - P 3A - GPL M8 - JD 芯数: A: 3A 4A 6A 8A B: 5B D: 4D	 开孔尺寸 hole opening size ø8.1 7.2 17.5 5.3 2 15.35 6.3 9.9 12.5±0.1
	弯针孔型插座 插板式 螺牙M10x0.75 接地款 M8 Angled Female Back Mount Socket (PCB, Screw M10*0.75, Grounded type) M8 - S 3A - GPL M10 - JD 芯数: A: 3A 4A 6A 8A B: 5B D: 4D	 开孔尺寸 hole opening size ø10.1 9.1 15.5 5.1 2 15.35 6.3 7.68 10.13±0.1 12.5±0.1
	弯针针型插座 插板式 螺牙M8x1 塑胶款 M8 Angled Male Back Mount Plastic Socket (PCB, Screw M8*1, Plastic) M8 - P 4A - PTL M8 芯数: A: 3A 4A	 开孔尺寸 hole opening size ø8.1 22 12 12 6 3.6 4.5
	弯针孔型插座 插板式 螺牙M8x1 塑胶款 M8 Angled Female Back Mount Plastic Socket (PCB, Screw M8*1, Plastic) M8 - S 4A - PTL M8 芯数: A: 3A 4A	 开孔尺寸 hole opening size ø8.1 20.5 10.5 12 12 6 3.6 4.5
	弯针孔型插座 插板式 螺牙M10x0.75 全塑快插款 M8 Angled Female Socket (PCB, Screw M10*0.75, Plastic Quick Insert Style) M8 - S 5B - PPL M10 - KC	 开孔尺寸 hole opening size ø10.1 23.2 8.5 14.5 6.9 12 3 ø10 4.95 1.28 1.4 1.8
	Y型转接器 PSS型 M8 Y Type Adapter (PSS) M8 - Y - P 3A / S 3A X2 芯数: A: 3A 4A 6A 8A	 25 41.1 ø10 ø10 ø10 ø10 ø10
	T型转接器 PSS型 M8 T Type Adapter (PSS) M8 - T - P 3A / S 3A X2 芯数: A: 3A 4A 6A 8A	 48.2 30.87 ø10 ø10 ø10 ø10 ø10

产品图 PRODUCT FIGURE	名称/类型号 NAME/TYPE NO.	尺寸图 DIMENSIONS
	I型转接器 PS型 螺牙M11x1 金属款 M8 I Type Adapter (PS, Screw M11*, Metal Version) M8 - I - P 3A / S 3A - M11 - GA 芯数: A: 3A 4A B: 5B	 开孔尺寸 hole opening size
	I型转接器 PS型 塑胶款 M8 I Type Adapter (PS, Plastic Version) M8 - I - P 3A / S 3A 芯数: A: 3A 4A 6A 8A B: 5B	
	孔型欧姆终端插头 120Ω M8 Female Ohm terminal Plug (120Ω) M8 - S 3A - MWO - 120 OHM 芯数: A: 3A 4A 6A 8A B: 5B 阻值(Ω): 120/1200	
	针型欧姆终端插头 120Ω M8 Male Ohm terminal Plug (120Ω) M8 - P 3A - MWO - 120 OHM 芯数: A: 3A 4A 6A 8A B: 5B 阻值(Ω): 120/1200	

M8·贴片式插座配件 M8 SMD RECEPTACLE ASSEMBLY

	针型贴片式插座 M8 Male SMD Type Socket M8 - P 3A - PSS 芯数: A: 3A 4A 6A 8A B: 5B D: 4D	
	孔型贴片式插座 M8 Female SMD Type Socket M8 - S 3A - PSS 芯数: A: 3A 4A 6A 8A B: 5B D: 4D	



板前安装针型外壳
螺牙M10
Front Mount Male Shell
(Screw M10)

M8-PGBM10



板前安装孔型外壳
螺牙M10
Front Mount Female Shell
(Screw M10)

M8-SGBM10

M8·防尘盖 M8 DUST COVER

M8 塑胶防尘盖 内牙 M8 Plastic Dust Cover (Inner screw)		
环内直径 Ring inner diameter	订货号 No.	
φ 7.5mm	M8P-TV5P-7.5	
M8 塑胶防尘盖 外牙 M8 Plastic Dust Cover (Outer screw)		
环内直径 Ring inner diameter	订货号 No.	
φ 7.5mm	M8P-TV5S-7.5	
M8 塑胶防尘盖 外牙 M8 Plastic Dust Cover (Outer screw)		
环内直径 Ring inner diameter	订货号 No.	
φ M8	M8P-TV6S	

M8 全金属防尘盖 内牙 M8 All-Metal Dust Cover (Inner screw)		
环内直径 Ring inner diameter	订货号 No.	
φ 8mm	M8G-TV1P-8	
φ 10mm	M8G-TV1P-10	
M8 全金属防尘盖 外牙 M8 All-Metal Dust Cover (Outer screw)		
环内直径 Ring inner diameter	订货号 No.	
φ 8mm	M8G-TV1S-8	
φ 10mm	M8G-TV1S-10	

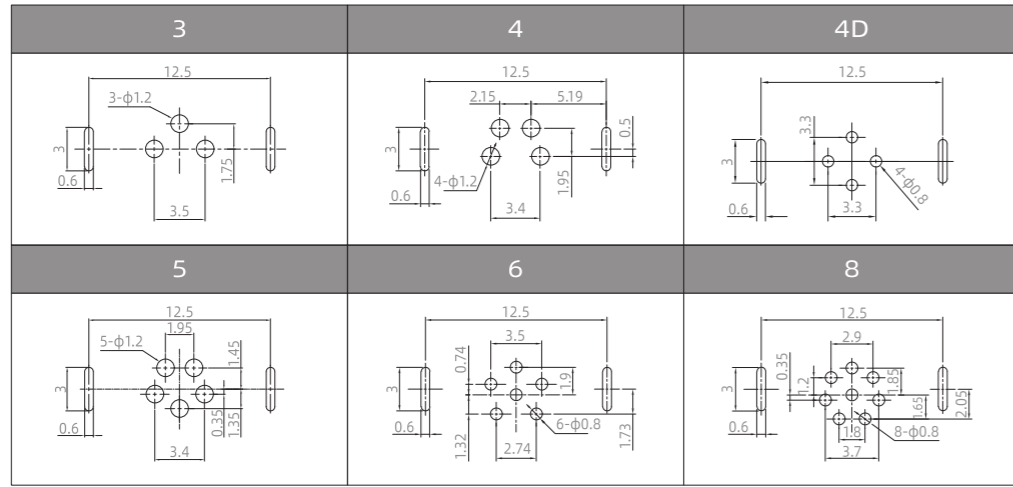
M8·电气参数 M8 ELECTRICAL PARAMETERS

芯数 Pins	针型 Male			额定电流 Rated current	额定电压 Rated voltage		导体规格 Conductor size		孔型 Female		
	A	B	D		A/C	D/C	AWG	mm ²	A	B	D
3				3A	60V	60V	24	0.25			
4				A型(A-Code): 3A D型(D-Code): 4A	A型(A-Code): 60V D型(D-Code): 48V	60V	24	0.25			
5				3A	30V	30V	24	0.25			
6				A型(A-Code): 1.5A D型(D-Code): 1.5A/3A	30V	30V	26	0.14			
8				1.5A	30V	30V	26	0.14			

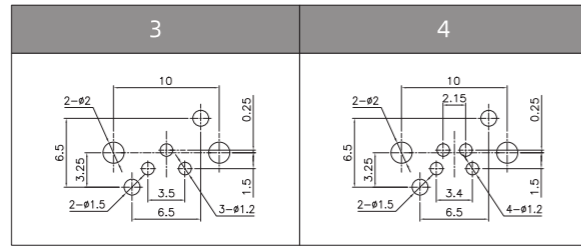
M8·焊板式芯位图 M8 PCB PINS ARRANGEMENT

--	--	--	--	--	--

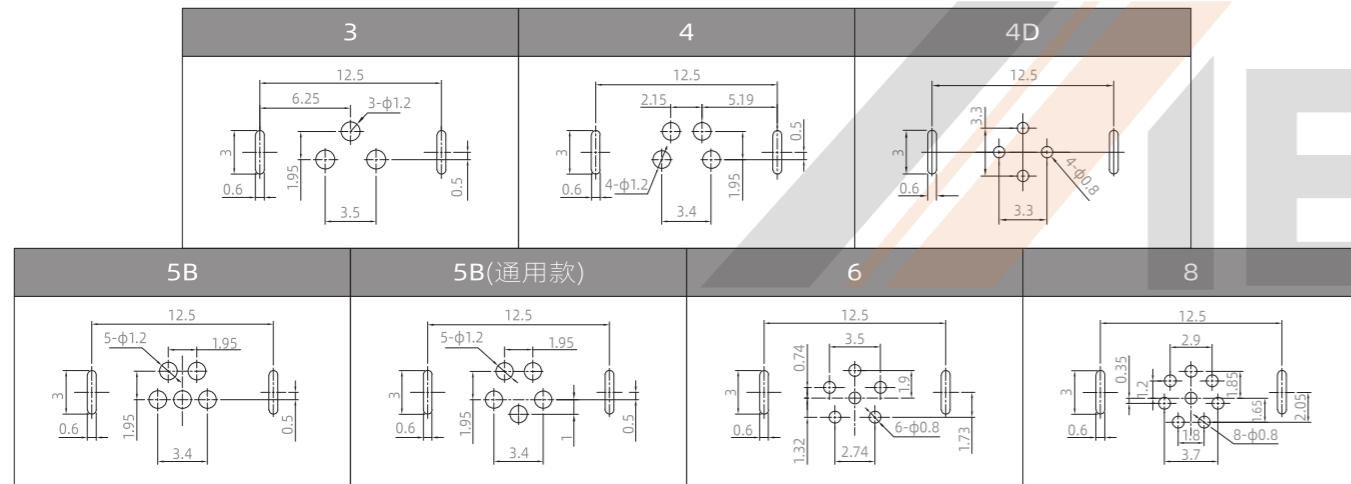
M8·焊板式直式芯位图(接地款) M8 PCB STRAIGHT PINS ARRANGEMENT (GROUNDEDTYPE)



M8·焊板式弯式芯位图 M8 PCB ANGLED PINS ARRANGEMENT



M8·焊板式弯式芯位图(接地款) M8 PCB ANGLED PINS ARRANGEMENT (GROUNDEDTYPE)



M8·接线定义 M8 WIRE DEFINITION

芯位 Pins	线芯颜色 Wire core color	
3芯(Pins)		
1	BN	
2	-	
3	BU	
4	BK	

芯位 Pins	线芯颜色 Wire core color			
4芯A编码(4 Pins A-Code) 4芯D编码(4 Pins D-Code)				
1	BN		YE	
2	WH		WH	
3	BU		OG	
4	BK		BU	

芯位 Pins	线芯颜色 Wire core color			
8芯(Pins)				
1	WH			
2	BN			
3	GN			
4	YE			
5	GY			
6	PK			
7	BU			
8	RD			

芯位 Pins	线芯颜色 Wire core color			
5芯A编码(5 Pins A-Code) 5芯B编码(5 Pins B-Code)				
1	BN		BN	
2	WH		WH	
3	BU		BU	
4	BK		BK	
5	GY		GY	

芯位 Pins	线芯颜色 Wire core color			
6芯(Pins)				
1	BN			
2	WH			
3	BU			
4	BK			
5	GY			
6	PK			

*接线定义按常规标准, 如按协议或者其他请联系我司业务。
Wiring definition according to conventional standards, if according to the agreement or other please contact our sales.

M9系列 M9 SERIE

产品芯数: 2~8芯
Pins Number: 2-8 pins

大部分连接器360°全屏蔽
Most connectors are excellent for full shielding at 360 degrees

插头: 组装式, 注塑带电缆式(长度可任意定制)
Plug: assembly, Overmolded cable type (length can be customized at will)

插座: 板前安装、板后安装、焊线式及PCB板式
Socket: Front Mount Solder Type, Back Mount Solder Type and PCB board type

防水等级: IP65、IP67
Waterproof grade: IP65、IP67



产品参数 PRODUCT PARAMETERS

壳体材料 Shell material	锌合金镀镍/黄铜镀镍 Brass nickel-plated/Zinc alloy nickel-plated	接触阻抗 Contact impedance	≤3mΩ
密封材料 Sealing material	环氧树脂/橡胶 Epoxy resin/Rubber	接线范围 Wiring range	3.0~5.0mm
插针材料 Contact material	黄铜/磷铜镀金 Brass/Phosphorus copper gold-plated	绝缘阻抗 Insulation impedance	≥100MΩ
胶芯材料 Insulator material	PA66	适用温度 Applicable temperature	-25°C ~ +80°C
成型材料 Molding material	TPU/PVC		

产品图 PRODUCT FIGURE	名称/类型号 NAME/TYPE NO.	尺寸图 DIMENSIONS
	直式孔型金属插头 焊线式 M9 Straight Female Metal Plug (Solder) M9 - S 3 - GWA 05 芯数: 2345678	
	直式针型金属插头 焊线式 M9 Straight Male Metal Plug (Solder) M9 - P 3 - GWA 05 芯数: 2345678	
	弯式孔型金属插头 焊线式 M9 Angled Female Metal Plug (Solder) M9 - S 3 - GWD 05 芯数: 2345678	
	弯式针型金属插头 焊线式 M9 Angled Male Metal Plug (Solder) M9 - P 3 - GWD 05 芯数: 2345678	
非屏蔽款/Unshielded 屏蔽款/Shielded	直式孔型成型插头 M9 Straight Female Overmolded Plug M9 - S 3 - MWA - 1 PV - S 芯数: 2345678 线长(M): 1:1M, 2.5:2.5M 材料: PV-PVC, PU-PU, TF-铁氟龙, PE-PE S:屏蔽, 空:非屏蔽	
非屏蔽款/Unshielded 屏蔽款/Shielded	直式针型成型插头 M9 Straight Male Overmolded Plug M9 - P 3 - MWA - 1 PV - S 芯数: 2345678 线长(M): 1:1M, 2.5:2.5M 材料: PV-PVC, PU-PU, TF-铁氟龙, PE-PE S:屏蔽, 空:非屏蔽	
非屏蔽款/Unshielded 屏蔽款/Shielded	弯式孔型成型插头 M9 Angled Female Overmolded Plug M9 - S 3 - MWD - 1 PV - S 芯数: 2345678 线长(M): 1:1M, 2.5:2.5M 材料: PV-PVC, PU-PU, TF-铁氟龙, PE-PE S:屏蔽, 空:非屏蔽	

产品图 PRODUCT FIGURE	名称/类型号 NAME/TYPE NO.	尺寸图 DIMENSIONS
非屏蔽款/Unshielded 屏蔽款/Shielded	弯式针型成型插头 M9 Angled Male Overmolded Plug M9 - P 3 - MWD - 1 PV - S 芯数: 2345678 线长(M): 1:1M, 2.5:2.5M 材料: PV-PVC, PU-PU, TF-铁氟龙, PE-PE S:屏蔽, 空:非屏蔽	
	板前安装针型插座 焊线式 M9 Male Front Mount Socket (Solder) M9 - P 3 - GWB M12 芯数: 2345678	
	板前安装孔型插座 焊线式 M9 Male Front Mount Socket (Solder) M9 - S 3 - GWB M12 芯数: 2345678	
	板后安装针型插座 焊线式 M9 Male Back Mount Socket (Solder) M9 - P 3 - GWF M12 芯数: 2345678	
	板后安装针型插座 插板式 M9 Male Back Mount Socket (PCB) M9 - P 3 - GPF M12 芯数: 2345678	
	板后安装孔型插座 焊线式 M9 Female Back Mount Socket (Solder) M9 - S 3 - GWF M12 芯数: 2345678	
	板后安装孔型插座 插板式 M9 Female Back Mount Socket (PCB) M9 - S 3 - GPF M12 芯数: 2345678	

芯数 Pins	针型 Male	额定电流 Rated current	额定电压 Rated voltage		导体规格 Conductor size		孔型 Female
			A/C	D/C	AWG	mm ²	
2		4A	125V	125V	24	0.25	
3		4A	125V	125V	24	0.25	
4		3A	125V	125V	24	0.25	
5		3A	125V	125V	24	0.25	
6		1A	125V	125V	26	0.14	
7		1A	125V	125V	26	0.14	
8		1A	125V	125V	26	0.14	

M9·焊板式芯位图 M9 PCB PINS ARRANGEMENT

芯数 Pins	2A	3A	4A	5A	6A	7A	8A
针型 Male							
孔型 Female							

M9·接线定义 M9 WIRE DEFINITION

芯数 Pins	线芯颜色 Wire core color	芯数 Pins	线芯颜色 Wire core color	芯数 Pins	线芯颜色 Wire core color	芯数 Pins	线芯颜色 Wire core color	芯数 Pins	线芯颜色 Wire core color
2芯(Pins)		4芯(Pins)		6芯(Pins)		7芯(Pins)		8芯(Pins)	
1	BN	1	BN	1	BN	1	WH	1	WH
2	BU	2	WH	2	WH	2	BN	2	BN
		3	BU	3	BU	3	GN	3	GN
		4	BK	4	BK	4	YE	4	YE
				5	GY	5	GY	5	GY
				6	PK	6	PK	6	PK
						7	BU	7	BU
								8	RD

*接线定义按常规标准, 如按协议或者其他请联系我司业务。
Wiring definition according to conventional standards, if according to the agreement or other please contact our sales.

M12系列 M12 SERIE

金属外壳连接器的360°全屏蔽, 新款更有阻尼设计

Metal housing connector excellent 360° full shielding, new more damped design

产品符合IEC 61076-2-101 工业4.0协议, NEMA2000标准

Products comply with IEC 61076-2-101 Industry 4.0 agreement, NEMA2000 standard

插头: 组装式, 注塑带电缆式 (长度可任意定制)

Plug: assembled type, injection molding with cable type (length can be customized)

插座: 板前安装、板后安装、焊线式及PCB板式

Socket: Front Mount Solder type, Back Mount Solder type and PCB type

产品芯数: 2、3、4、5、6、8、12、17芯

Number of pins: 2, 3, 4, 5, 6, 8, 12, 17 pins

防水等级: IP65、IP67

Waterproof grade: IP65, IP67



产品参数 PRODUCT PARAMETERS

壳体材料 Shell material	黄铜镀镍/锌合金度镍/PA+GF Brass nickel-plated/Zinc alloy nickel-plated/PA-GF	接触阻抗 Contact impedance	≤5mΩ
密封材料 Sealing material	环氧树脂/橡胶 Epoxy resin/Rubber	插拔次数 Durability	≥500次(Cycles)
插针材料 Contact material	黄铜/磷铜镀金 Brass/Phosphorus copper gold-plated	执行标准 Execution standard	IEC 61076-2-101
胶芯材料 Insulator material	PA+GF/TPU	适用温度 Applicable temperature	-25°C ~ +80°C
成型材料 Molding material	TPU/PVC	防水等级 Waterproof grade	IP67

产品图 PRODUCT FIGURE	名称/类型号 NAME/TYPE NO.	尺寸图 DIMENSIONS
	直式孔型金属组装式插头 螺钉式 M12 Straight Female Metal Assembled Plug (Screw) M12 - S 3A - GLA P7 芯数: A:2A 3A 4A 5A 6A 8A B:5B D:4D 出线: P7:PG7 P9:PG9	
	直式针型金属组装式插头 螺钉式 M12 Straight Male Metal Assembled Plug (Screw) M12 - P 3A - GLA P7 芯数: A:2A 3A 4A 5A 6A 8A B:5B D:4D 出线: P7:PG7 P9:PG9	
	弯式孔型金属组装式插头 螺钉式 M12 Angled Female Metal Assembled Plug (Screw) M12 - S 3A - GLD P7 芯数: A:2A 3A 4A 5A 6A 8A B:5B D:4D 出线: P7:PG7 P9:PG9	
	弯式针型金属组装式插头 螺钉式 M12 Angled Male Metal Assembled Plug (Screw) M12 - P 3A - GLD P7 芯数: A:2A 3A 4A 5A 6A 8A B:5B D:4D 出线: P7:PG7 P9:PG9	
	直式孔型金属组装式插头 焊线式 M12 Straight Female Metal Assembled Plug (Solder) M12 - S 3A - GWA P7 芯数: A:2A 3A 4A 5A 6A 8A 12A 17A B:5B D:4D	
	直式针型金属组装式插头 焊线式 M12 Straight Male Metal Assembled Plug (Solder) M12 - P 3A - GWA P7 芯数: A:2A 3A 4A 5A 6A 8A 12A 17A B:5B D:4D	
	弯式孔型金属组装式插头 焊线式 M12 Angled Female Metal Assembled Plug (Solder) M12 - S 3A - GWD P7 芯数: A:2A 3A 4A 5A 6A 8A 12A 17A B:5B D:4D	
	弯式针型金属组装式插头 焊线式 M12 Angled Male Metal Assembled Plug (Solder) M12 - P 3A - GWD P7 芯数: A:2A 3A 4A 5A 6A 8A 12A 17A B:5B D:4D	

产品图 PRODUCT FIGURE	名称/类型号 NAME/TYPE NO.	尺寸图 DIMENSIONS
	直式孔型塑胶组装式插头 螺钉式 M12 Straight Female Plastic Assembled Plug (Screw) M12 - S 3A - PLA P7 芯数: A:2A 3A 4A 5A 6A 8A 出线: P7:PG7 P9:PG9	
	直式针型塑胶组装式插头 螺钉式 M12 Straight Male Plastic Assembled Plug (Screw) M12 - P 3A - PLA P7 芯数: A:2A 3A 4A 5A 6A 8A 出线: P7:PG7 P9:PG9	
	弯式孔型塑胶组装式插头 螺钉式 M12 Angled Female Plastic Assembled Plug (Screw) M12 - S 3A - PLD P7 芯数: A:2A 3A 4A 5A 6A 8A 出线: P7:PG7 P9:PG9	
	弯式针型塑胶组装式插头 螺钉式 M12 Angled Male Plastic Assembled Plug (Screw) M12 - P 3A - PLD P7 芯数: A:2A 3A 4A 5A 6A 8A 出线: P7:PG7 P9:PG9	
	直式孔型塑胶组装式插头 焊线式 M12 Straight Female Plastic Assembled Plug (Solder) M12 - S 3A - PWA P7 芯数: A:2A 3A 4A 5A 6A 8A B:5B D:4D	
	直式针型塑胶组装式插头 焊线式 M12 Straight Male Plastic Assembled Plug (Solder) M12 - P 3A - PWA P7 芯数: A:2A 3A 4A 5A 6A 8A B:5B D:4D	
	非屏蔽款/Unshielded 屏蔽款/Shielded 直式孔型成型插头 M12 Straight Female Overmolded Plug M12 - S 3A - MWA - 1 PV - S 芯数: A:2A 3A 4A 5A 6A 8A 12A 17A B:5B C:3C 4C 5C 6C D:4D 插长(M): 11M 2.5:2.5M 线材: PV/PVC PU/PU PE/PE S:屏蔽 空:非屏蔽	
	直式孔型成型插头 LED款 M12 Straight Female Overmolded Plug (LED) M12 - S 3A - MWA - 1 PV - LP2 芯数: A:3A 4A 5A 插长(M): 11M 2.5:2.5M 线材: PV/PVC PU/PU PE/PE 灯数: LP2: 2HTPNP LN2: 2HTPNP LP3: 3HTPNP LN3: 3HTPNP	

产品图 PRODUCT FIGURE	名称/型号 NAME/TYPE NO.	尺寸图 DIMENSIONS
非屏蔽款/Unshielded 屏蔽款/Shielded	直式针型成型插头 M12 Straight Male Overmolded Plug M12 - P 3A - MWA - 1 PV - S 芯数: A:2A 3A 4A 5A 6A 8A 12A 17A B:5B C:3C 4C 5C 6C D:4D 长度(M): 1M 2.5:2.5M 材料: PV/PVC PU/PU TF:铁氟龙 PE:PE S:屏蔽 空:非屏蔽	
非屏蔽款/Unshielded 屏蔽款/Shielded	直式针型成型插头 LED款 M12 Straight Male Overmolded Plug (LED) M12 - P 3A - MWA - 1 PV - LP2 芯数: A:3A 4A 5A 长度(M): 1M 2.5:2.5M 材料: PV/PVC PU/PU TF:铁氟龙 PE:PE 打数: LP2: 2JTNP LP3: 3JTNP LPN3: 3JTNP	
非屏蔽款/Unshielded 屏蔽款/Shielded	弯式孔型成型插头 M12 Angled Female Overmolded Plug M12 - S 3A - MWD - 1 PV - S 芯数: A:2A 3A 4A 5A 6A 8A 12A 17A B:5B C:3C 4C 5C 6C D:4D 长度(M): 1M 2.5:2.5M 材料: PV/PVC PU/PU TF:铁氟龙 PE:PE S:屏蔽 空:非屏蔽	
非屏蔽款/Unshielded 屏蔽款/Shielded	弯式孔型成型插头 LED款 M12 Angled Female Overmolded Plug (LED) M12 - S 3A - MWD - 1 PV - LP2 芯数: A:3A 4A 5A 长度(M): 1M 2.5:2.5M 材料: PV/PVC PU/PU TF:铁氟龙 PE:PE 打数: LP2: 2JTNP LP3: 3JTNP LPN3: 3JTNP	
非屏蔽款/Unshielded 屏蔽款/Shielded	弯式针型成型插头 M12 Angled Male Overmolded Plug M12 - P 3A - MWD - 1 PV - S 芯数: A:2A 3A 4A 5A 6A 8A 12A 17A B:5B C:3C 4C 5C 6C D:4D 长度(M): 1M 2.5:2.5M 材料: PV/PVC PU/PU TF:铁氟龙 PE:PE S:屏蔽 空:非屏蔽	
非屏蔽款/Unshielded 屏蔽款/Shielded	弯式针型成型插头 LED款 M12 Angled Male Overmolded Plug (LED) M12 - P 3A - MWD - 1 PV - LP2 芯数: A:3A 4A 5A 长度(M): 1M 2.5:2.5M 材料: PV/PVC PU/PU TF:铁氟龙 PE:PE 打数: LP2: 2JTNP LP3: 3JTNP LPN3: 3JTNP	
非屏蔽款/Unshielded 屏蔽款/Shielded	直式孔型成型插头 阻尼款 M12 Straight Female Overmolded Plug (Damping style) M12 - S 3A - MWA - 1 PV - S - ZN 芯数: A:2A 3A 4A 5A 6A 8A 12A 17A B:5B C:3C 4C 5C 6C D:4D 长度(M): 1M 2.5:2.5M 材料: PV/PVC PU/PU TF:铁氟龙 PE:PE S:屏蔽 空:非屏蔽	
非屏蔽款/Unshielded 屏蔽款/Shielded	直式针型成型插头 阻尼款 M12 Straight Male Overmolded Plug (Damping style) M12 - P 3A - MWA - 1 PV - S - ZN 芯数: A:2A 3A 4A 5A 6A 8A 12A 17A B:5B C:3C 4C 5C 6C D:4D 长度(M): 1M 2.5:2.5M 材料: PV/PVC PU/PU TF:铁氟龙 PE:PE S:屏蔽 空:非屏蔽	

产品图 PRODUCT FIGURE	名称/型号 NAME/TYPE NO.	尺寸图 DIMENSIONS
非屏蔽款/Unshielded 屏蔽款/Shielded	直式孔型成型插头 塑胶款 M12 Straight Female Overmolded Plug (Plastic style) M12 - S 3A - MWA - 1 PV - PM 芯数: A:2A 3A 4A 5A 6A 8A 12A 17A B:5B C:3C 4C 5C 6C D:4D 长度(M): 1M 2.5:2.5M 材料: PV/PVC PU/PU TF:铁氟龙 PE:PE S:屏蔽 空:非屏蔽	
非屏蔽款/Unshielded 屏蔽款/Shielded	直式针型成型插头 塑胶款 M12 Straight Male Overmolded Plug (Plastic style) M12 - P 3A - MWA - 1 PV - PM 芯数: A:2A 3A 4A 5A 6A 8A 12A 17A B:5B C:3C 4C 5C 6C D:4D 长度(M): 1M 2.5:2.5M 材料: PV/PVC PU/PU TF:铁氟龙 PE:PE S:屏蔽 空:非屏蔽	
非屏蔽款/Unshielded 屏蔽款/Shielded	弯式孔型成型插头 塑胶款 M12 Angled Female Overmolded Plug (Plastic style) M12 - S 3A - MWD - 1 PV - PM 芯数: A:2A 3A 4A 5A 6A 8A 12A 17A B:5B C:3C 4C 5C 6C D:4D 长度(M): 1M 2.5:2.5M 材料: PV/PVC PU/PU TF:铁氟龙 PE:PE S:屏蔽 空:非屏蔽	
非屏蔽款/Unshielded 屏蔽款/Shielded	弯式针型成型插头 塑胶款 M12 Angled Male Overmolded Plug (Plastic style) M12 - P 3A - MWD - 1 PV - PM 芯数: A:2A 3A 4A 5A 6A 8A 12A 17A B:5B C:3C 4C 5C 6C D:4D 长度(M): 1M 2.5:2.5M 材料: PV/PVC PU/PU TF:铁氟龙 PE:PE S:屏蔽 空:非屏蔽	
非屏蔽款/Unshielded 屏蔽款/Shielded	一分二孔型成型插头 M12 Female 1 to 2 Overmolded Plug M12 - S 3A - MWA - 1 PV - S - 1T2 芯数: A:2A 3A 4A 5A 6A 8A 12A 17A B:5B C:3C 4C 5C 6C D:4D 长度(M): 1M 2.5:2.5M 材料: PV/PVC PU/PU TF:铁氟龙 PE:PE S:屏蔽 空:非屏蔽	
非屏蔽款/Unshielded 屏蔽款/Shielded	一分二针型成型插头 M12 Male 1 to 2 Overmolded Plug M12 - P 3A - MWA - 1 PV - S - 1T2 芯数: A:2A 3A 4A 5A 6A 8A 12A 17A B:5B C:3C 4C 5C 6C D:4D 长度(M): 1M 2.5:2.5M 材料: PV/PVC PU/PU TF:铁氟龙 PE:PE S:屏蔽 空:非屏蔽	
螺牙/Screw M16x1.5 螺牙/Screw PG9	板前安装针型插座 焊线式 M12 Male Front Mount Socket (Solder) M12 - P 3A - GWB M16 芯数: A:2A 3A 4A 5A 6A 8A 12A 17A B:5B C:3C 4C 5C 6C D:4D 螺牙: M16/M16x1.5 P9/PG9	
非屏蔽款/Unshielded 屏蔽款/Shielded	板前安装针型插座 焊线式 螺牙M12x1 M12 Male Front Mount Socket (Solder, Screw M12*1) M12 - P 3A - GWB M12 芯数: A:2A 3A 4A 5A 6A 8A 12A 17A B:5B C:3C 4C 5C 6C D:4D	

产品图 PRODUCT FIGURE	名称/类型号 NAME/TYPE NO.	尺寸图 DIMENSIONS
	板前安装针型插座 插板式 M12 Male Front Mount Socket (PCB) M12 - P 3A - GPB M16 芯数: A:2A 3A 4A 5A 6A 8A 12A 17A B:5B C:3C 4C 5C 6C D:4D 螺牙: M16/M16x15 P9/PG9	 开孔尺寸 hole opening size 18, 22, 13.5, 16.1
	板前安装针型插座 插板式 螺牙M12x1 M12 Male Front Mount Socket (PCB, Screw M12*1) M12 - P 3A - GPB M12 芯数: A:2A 3A 4A 5A 6A 8A 12A 17A B:5B C:3C 4C 5C 6C D:4D	 开孔尺寸 hole opening size 18, 22, 12.1, 16.1
	板前安装针型插座 焊线式 螺牙M15x1 塑胶版 M12 Male Front Mount Socket (Solder, Screw M15*1, Plastic type) M12 - P 3A - PWB M15 芯数: A:2A 3A 4A 5A 6A 8A 12A 17A B:5B C:3C 4C 5C 6C D:4D	 开孔尺寸 hole opening size 18, 22, 15.1, 16.1
	板前安装孔型插座 焊线式 M12 Female Front Mount Socket (Solder) M12 - S 3A - GWF M16 芯数: A:2A 3A 4A 5A 6A 8A 12A 17A B:5B C:3C 4C 5C 6C D:4D 螺牙: M16/M16x15 P9/PG9	 开孔尺寸 hole opening size 18, 20.5, 13.5, 16.1
	板前安装孔型插座 焊线式 螺牙M12x1 M12 Female Front Mount Socket (Solder, Screw M12*1) M12 - S 3A - GWF M12 芯数: A:2A 3A 4A 5A 6A 8A 12A 17A B:5B C:3C 4C 5C 6C D:4D	 开孔尺寸 hole opening size 18, 20.5, 12.1, 16.1
	板前安装孔型插座 焊线式 螺牙M15x1 塑胶版 M12 Female Front Mount Socket (Solder, Screw M15*1, Plastic type) M12 - S 3A - PWB M15 芯数: A:2A 3A 4A 5A 6A 8A 12A 17A B:5B C:3C 4C 5C 6C D:4D	 开孔尺寸 hole opening size 18, 20.5, 15.1, 16.1
	板前安装孔型插座 插板式 螺牙M12x1 M12 Female Front Mount Socket (PCB, Screw M12*1) M12 - S 3A - GPB M12 芯数: A:2A 3A 4A 5A 6A 8A 12A 17A B:5B C:3C 4C 5C 6C D:4D	 开孔尺寸 hole opening size 18, 20.5, 12.1, 16.1
	板后安装针型插座 焊线式 M12 Male Back Mount Socket (Solder) M12 - P 3A - GWF M16 芯数: A:2A 3A 4A 5A 6A 8A 12A 17A B:5B C:3C 4C 5C 6C D:4D 螺牙: M16/M16x15 P9/PG9	 开孔尺寸 hole opening size 18, 22, 16.1, 13.5

产品图 PRODUCT FIGURE	名称/类型号 NAME/TYPE NO.	尺寸图 DIMENSIONS
	板后安装针型插座 焊线式 螺牙M12x1 M12 Male Back Mount Socket (Solder, Screw M12*1) M12 - P 3A - GWF M12 芯数: A:2A 3A 4A 5A 6A 8A 12A 17A B:5B C:3C 4C 5C 6C D:4D	 开孔尺寸 hole opening size 18, 20, 10.7, 12.1
	板后安装针型插座 焊线式 屏蔽 M12 Male Back Mount Socket (Solder, Shielded) M12 - P 3A - GWF M16 - S - PBG 芯数: A:2A 3A 4A 5A 6A 8A 12A 17A B:5B C:3C 4C 5C 6C D:4D 螺牙: M16/M16x15 P9/PG9 S:屏蔽 空:非屏蔽	 开孔尺寸 hole opening size 18, 19.8, 22±0.2, 2.5±0.2, 13.5, 16.1
	板后安装针型插座 插板式 M12 Male Back Mount Socket (PCB) M12 - P 3A - GPF M16 芯数: A:2A 3A 4A 5A 6A 8A 12A 17A B:5B C:3C 4C 5C 6C D:4D 螺牙: M16/M16x15 P9/PG9	 开孔尺寸 hole opening size 18, 22, 16.1, 13.5
	板后安装针型插座 插板式 螺牙M12x1 M12 Male Back Mount Socket (PCB, Screw M12*1) M12 - P 3A - GPF M12 芯数: A:2A 3A 4A 5A 6A 8A 12A 17A B:5B C:3C 4C 5C 6C D:4D	 开孔尺寸 hole opening size 18, 20, 10.7, 12.1
	板后安装针型插座 插板式 接地款 M12 Male Back Mount Socket (PCB, Grounded type) M12 - P 3A - GPF M16 - JD 芯数: A:2A 3A 4A 5A 6A 8A 12A 17A B:5B C:3C 4C 5C 6C D:4D 螺牙: M16/M16x15 P9/PG9	 开孔尺寸 hole opening size 18, 22, 16.1, 13.5
	板后安装针型插座 插板式 螺牙M12x1 接地款 M12 Male Back Mount Socket (PCB, Screw M12*1, Grounded type) M12 - P 3A - GPF M12 - JD 芯数: A:2A 3A 4A 5A 6A 8A 12A 17A B:5B C:3C 4C 5C 6C D:4D	 开孔尺寸 hole opening size 18, 20, 10.7, 12.1
	板后安装针型插座 焊线式 螺牙M15x1 塑胶版 M12 Male Back Mount Socket (Solder, Screw M15*1, Plastic type) M12 - P 3A - PWF M15 芯数: A:2A 3A 4A 5A 6A 8A 12A 17A B:5B C:3C 4C 5C 6C D:4D	 开孔尺寸 hole opening size 18, 22, 15.1, 13.5
	板后安装针型插座 焊线式 螺牙M12x1 塑胶版 M12 Male Back Mount Socket (Solder, Screw M12*1, Plastic type) M12 - P 3A - PWF M12 芯数: A:2A 3A 4A 5A 6A 8A 12A 17A B:5B C:3C 4C 5C 6C D:4D	 开孔尺寸 hole opening size 18, 20, 10.7, 12.1

产品图 PRODUCT FIGURE	名称/类型号 NAME/TYPE NO.	尺寸图 DIMENSIONS
	板后安装针型插座 插板式 螺牙M15x1 塑胶版 M12 Male Back Mount Socket (PCB, Screw M15*1, Plastic type) M12 - P 3A - PPF M15 芯数: A:2A 3A 4A 5A 6A B:8A 12A 17A C:3C 4C 5C 6C D:4D	 开孔尺寸 hole opening size 18, 22, 15.1, 13.5
	板后安装针型插座 插板式 螺牙M12x1 塑胶版 M12 Male Back Mount Socket (PCB, Screw M12*1, Plastic type) M12 - P 3A - PPF M12 芯数: A:2A 3A 4A 5A 6A B:8A 12A 17A C:3C 4C 5C 6C D:4D	 开孔尺寸 hole opening size 18, 20, 12.1, 10.7
	板后安装孔型插座 焊线式 M12 Female Back Mount Socket (Solder) M12 - S 3A - GWF M16 芯数: A:2A 3A 4A 5A 6A B:8A 12A 17A C:3C 4C 5C 6C D:4D 螺牙: M16-M16x15 P9-PG9	 开孔尺寸 hole opening size 18, 20.5, 16.1, 13.5
	板后安装孔型插座 焊线式 屏蔽 M12 Female Back Mount Socket (Solder, Shielded) M12 - S 3A - GWF M16 - S - PBG 芯数: A:2A 3A 4A 5A 6A B:8A 12A 17A C:3C 4C 5C 6C D:4D 螺牙: M16-M16x15 P9-PG9 屏蔽罩: 空:不屏蔽	 开孔尺寸 hole opening size 18.5, 20.5±0.2, 18.5±0.2, 16.1, 13.5
	板后安装孔型插座 插板式 M12 Female Back Mount Socket (PCB) M12 - S 3A - GPF M16 芯数: A:2A 3A 4A 5A 6A B:8A 12A 17A C:3C 4C 5C 6C D:4D 螺牙: M16-M16x15 P9-PG9	 开孔尺寸 hole opening size 18, 20.5, 16.1, 13.5
	板后安装孔型插座 插板式 接地款 M12 Female Back Mount Socket (PCB, Grounded type) M12 - S 3A - GPF M16 - JD 芯数: A:2A 3A 4A 5A 6A B:8A 12A 17A C:3C 4C 5C 6C D:4D 螺牙: M16-M16x15 P9-PG9	 开孔尺寸 hole opening size 18.5, 20.5±0.2, 26.5, 16.1, 13.5
	板后安装孔型插座 焊线式 螺牙M15x1 塑胶版 M12 Female Back Mount Socket (Solder, Screw M15*1 Plastic type) M12 - S 3A - PWF M15 芯数: A:2A 3A 4A 5A 6A B:8A 12A 17A C:3C 4C 5C 6C D:4D	 开孔尺寸 hole opening size 18, 20.5, 15.1, 13.5
	板后安装孔型插座 插板式 螺牙M15x1 塑胶版 M12 Female Back Mount Socket (PCB, Screw M15*1 Plastic type) M12 - S 3A - PPF M15 芯数: A:2A 3A 4A 5A 6A B:8A 12A 17A C:3C 4C 5C 6C D:4D	 开孔尺寸 hole opening size 18, 20.5, 15.1, 13.5

产品图 PRODUCT FIGURE	名称/类型号 NAME/TYPE NO.	尺寸图 DIMENSIONS
	方形法兰针型插座 焊线式 14x14 M12 Square Flange Male Socket (Solder, 14*14) M12 - P 3A - GWH 芯数: A:2A 3A 4A 5A 6A B:8A 12A 17A C:3C 4C 5C 6C D:4D	 20, 20, 14, 20, 15.1, 13.5
	方形法兰孔型插座 焊线式 14x14 M12 Square Flange Female Socket (Solder, 14*14) M12 - S 3A - GWH 芯数: A:2A 3A 4A 5A 6A B:8A 12A 17A C:3C 4C 5C 6C D:4D	 18.5, 20, 14, 20, 15.1, 13.5
	弯式针型插座 插板式 螺牙M12x1 M12 Curved Needle Socket (PCB, Screw M12*1) M12 - P 3A - GPL M12 - JD 芯数: A:2A 3A 4A 5A 6A B:8A 12A C:3C 4C 5C 6C D:4D 空:不接地 JD:接地	 15.4, 4.2, 9.4, 15.5, 1.7, 15, 12.1, 13.5
	弯式孔型插座 插板式 螺牙M12x1 M12 Curved Hole Socket (PCB, Screw M12*1) M12 - S 3A - GPL M12 - JD 芯数: A:2A 3A 4A 5A 6A B:8A 12A C:3C 4C 5C 6C D:4D 空:不接地 JD:接地	 19.5, 4.2, 9.4, 15.5, 1.7, 15, 12.1, 13.5
	弯式针型插座 插板式 螺牙M12x1 大体积款 M12 Curved Needle Socket (PCB, Screw M12*1, Big volume) M12 - P 3A - GPL M12 - BS 芯数: A:2A 3A 4A 5A 6A B:8A 12A C:3C 4C 5C 6C D:4D	 18.2, 12.1, 13.8, 29.4, 3, 2.5, 9.1, 14
	弯式孔型插座 插板式 螺牙M15x1 大体积款 M12 Curved Hole Socket (PCB, Screw M15*1, Big volume) M12 - S 3A - GPL M15 - BS 芯数: A:2A 3A 4A 5A 6A B:8A 12A 17A C:3C 4C 5C 6C D:4D	 20.5, 15.1, 14.3, 31.9, 3, 3.5, 4.5, 10.5, 20.75, 15, 0.8, 2
	直式针型转RJ45转接器 M12 Straight Male to RJ45 Adapter M12 - P 4A / RJ45 - A - F8 芯数: A:4A 8A D:4D	 50.8, 20.2, 16.1, 13.5

产品图 PRODUCT FIGURE	名称/型号 NAME/TYPE NO.	尺寸图 DIMENSIONS
	弯式针型转RJ45转换器 M12 Angled Male to RJ45 Adapter M12 - P 4A / RJ45 - D - F8 芯数: A:4A 8A D:4D	 48.3 20 13.5 开孔尺寸 hole opening size φ16.1
	直式孔型转RJ45转换器 M12 Straight Female to RJ45 Adapter M12 - S 4A / RJ45 - A - F8 芯数: A:4A 8A D:4D	 49 20.2 13.5 开孔尺寸 hole opening size φ16.1
	弯式孔型转RJ45转换器 M12 Angled Female to RJ45 Adapter M12 - S 4A / RJ45 - D - F8 芯数: A:4A 8A D:4D	 46.8 20 13.5 开孔尺寸 hole opening size φ16.1
	Y型转换器 PSS型 M12 Y-Type Adapter (PSS) M12 - Y - P 3A / S 3A x2 芯数: A:2A 3A 4A 5A 6A 8A B:5B D:4D	 38.7 53.4 23 22 M12x1 M12x1
	Y型转换器 PSS型 塑胶款 M12 Y-Type Adapter (PSS, Plastic type) M12 - Y - P 3A / S 3A x2 - PM 芯数: A:2A 3A 4A 5A 6A 8A B:5B D:4D	 38.7 53.4 23 22 M12x1 M12x1
	T型转换器 PSS型 M12 T-Type Adapter (PSS) M12 - T - P 3A / S 3A x2 芯数: A:2A 3A 4A 5A 6A 8A B:5B D:4D	 66.8 34.5 40.7 M12x1 M12x1
	T型转换器 PSS型 塑胶款 M12 T-Type Adapter (PSS, Plastic type) M12 - T - P 3A / S 3A x2 - PM 芯数: A:2A 3A 4A 5A 6A 8A B:5B D:4D	 66.8 34.5 40.7 M12x1 M12x1

产品图 PRODUCT FIGURE	名称/型号 NAME/TYPE NO.	尺寸图 DIMENSIONS
	I型转换器 M12-M12 PS型 金属款 M12 I-Type Adapter (M12-M12, PS, Metal Style) M12 - I - P 3A / S 3A - GA 芯数: A:2A 3A 4A 5A 6A 8A 12A B:5B D:4D	 φ13.2 22.9 38 13.5 开孔尺寸 hole opening size φ16.1
	I型转换器 M12-M12 SS型 金属款 M12 I-Type Adapter (M12-M12, SS, Metal Style) M12 - I - S 3A / S 3A - GA 芯数: A:2A 3A 4A 5A 6A 8A 12A B:5B D:4D	 φ13.2 11.6±0.2 22.9 38±0.2 13.5 开孔尺寸 hole opening size φ16.1
	I型转换器 M12-M12 PS型 塑胶款 M12 I-Type Adapter (M12-M12, PS, Plastic style) M12 - I - P 3A / S 3A 芯数: A:2A 3A 4A 5A 6A 8A 12A B:5B D:4D	 φ14.5 1.5 35 1.5 φ14.5
	I型转换器 M12-M8 PS型 塑胶款 M12 I-Type Adapter (M12-M8, PS, Plastic style) M12 - I - P 3A / M8 - S 3A 芯数: A:2A 3A 4A 5A 6A 8A 12A B:5B D:4D 芯数: A:3A 4A 6A 8A B:5B	 φ10 1.5 35 1.5 φ14.5
	L型转换器 SS型 M12 L-Type Adapter (SS) M12 - L - S 3A / S 3A 芯数: A:2A 3A 4A 5A 6A 8A B:5B D:4D	 42.2 25.85 18.2 34.9 M12x1 φ5.5
	T型带线转换器 PS型 M12 T-Type Cable type (PS) M12 - P 3A / S 3A - MWT+OPEN - 1 PV 芯数: A:2A 3A 4A 5A 6A 8A 12A 17A B:5B C:3C 4C 5C 6C D:4D 插长(M): 11M 2.5-2.5M 插料: PV/PVC PU/PUR	 63.65 29.5 21 M12x1 φ5.5 M12x1
	Y型转换器 M12-M8x2 PSS型 M12 Y-Type Adapter (M12-M8*2, PSS) M12 - Y - P 4A / M8 - S 4A X2 芯数: A:3A 4A	 23.45 M8x1 M8x1 17.5 41.3 M12x1 φ14.5

产品图 PRODUCTURE	名称/类型号 NAME/TYPE NO.	尺寸图 DIMENSIONS
	终端电阻孔型插头 120Ω M12 Female Ohm Terminal Plug (120Ω) M12 - S 3A - MWO - 120 OHM 芯数: A:2A 3A 4A 5A 6A 8A 12A 17A B:5B C:3C 4C 5C 6C D:4D 阻抗(Ω): 120/1200	
	终端电阻孔型插头 120Ω 塑胶版 M12 Female Ohm Terminal Plug (120Ω, Plastic type) M12 - S 3A - MWO - PM - 120 OHM 芯数: A:2A 3A 4A 5A 6A 8A 12A 17A B:5B C:3C 4C 5C 6C D:4D 阻抗(Ω): 120/1200	
	终端电阻针型插头 120Ω M12 Male Ohm Terminal Plug (120Ω) M12 - P 3A - MWO - 120 OHM 芯数: A:2A 3A 4A 5A 6A 8A 12A 17A B:5B C:3C 4C 5C 6C D:4D 阻抗(Ω): 120/1200	
	终端电阻针型插头 120Ω 塑胶版 M12 Male Ohm Terminal Plug (120Ω, Plastic type) M12 - P 3A - MWO - PM - 120 OHM 芯数: A:2A 3A 4A 5A 6A 8A 12A 17A B:5B C:3C 4C 5C 6C D:4D 阻抗(Ω): 120/1200	

M12·贴片式插座配件 M12 SMD RECEPTACLE ASSEMBLY

	针型贴片式插座 M12 Male SMD Type Socket M12 - P 3A - PSS 芯数: A:2A 3A 4A 5A 6A 8A 12A 17A B:5B C:3C 4C 5C 6C D:4D	
	孔型贴片式插座 M12 Female SMD Type Socket M12 - S 3A - PSS 芯数: A:2A 3A 4A 5A 6A 8A 12A 17A B:5B C:3C 4C 5C 6C D:4D	
	板前安装针型外壳 螺牙M12x1 Front Mount Male Shell (Screw M12*1) M12-PGBM12	
	板前安装孔型外壳 螺牙M12x1 Front Mount Female Shell (Screw M12*1) M12-SGBM12	
	板后安装针型外壳 螺牙M12x1 Back Mount Male Shell (Screw M12*1) M12-PGFM12	
	板后安装针型外壳 螺牙M15x1 Back Mount Male Shell (Screw M15*1) M12-PGFM15	
	板后安装孔型外壳 螺牙M15x1 Back Mount Female Shell (Screw M15*1) M12-SGFM15	

M12·防尘盖 M12 DUST COVER

M12 塑胶防尘盖 内牙 M12 Plastic Dust Cover (Inner screw)			M12 金属防尘盖 内牙 M12 Metal Dust Cover (Inner screw)		
	环内直径 Ring inner diameter	订货号 No.		环内直径 Ring inner diameter	订货号 No.
	φ 3mm	M12P-TV5P-3		φ 3mm	M12G-TV1P-3
	φ 11.5mm	M12P-TV5P-11.5		φ 12mm	M12G-TV1P-12
	φ 13mm	M12P-TV5P-13		φ 16mm	M12G-TV1P-16
φ 15mm	M12P-TV5P-15				
M12 塑胶防尘盖 外牙 M12 Plastic Dust Cover (Outer screw)			M12 金属防尘盖 外牙 M12 Metal Dust Cover (Outer screw)		
	环内直径 Ring inner diameter	订货号 No.		环内直径 Ring inner diameter	订货号 No.
	φ 3mm	M12P-TV5S-3		φ 3mm	M12G-TV1S-3
	φ 11.5mm	M12P-TV5S-11.5		φ 12mm	M12G-TV1S-12
	φ 13mm	M12P-TV5S-13		φ 16mm	M12G-TV1S-16
φ 15mm	M12P-TV5S-15				
M12 塑胶防尘盖 外牙 M12 Plastic Dust Cover (Outer screw)					
	环内直径 Ring inner diameter	订货号 No.			
	φ M12	M12P-TV6S			

M12·电气参数 M12 ELECTRICAL PARAMETERS

芯数 Pins	针型 Male				额定电流 Rated current	额定电压 Rated voltage		导体规格 Conductor size		孔型 Female			
	A	B	C	D		A/C	D/C	AWG	mm ²	A	B	C	D
2					4A	250V	250V	22	0.34				
3					4A	250V	250V	22	0.34				
4					4A	250V	250V	22	0.34				
5					4A:A型(A-Code) B型(B-Code) 2A:C型(C-Code)	60V	60V	22	0.34				
6					2A	30V	30V	24	0.25				
8					2A	30V	30V	24	0.25				
12					1.5A	30V	30V	26	0.14				
17					1.5A	30V	30V	26	0.14				

产品图 PRODUCT FIGURE	名称/类型号 NAME/TYPE NO.	尺寸图 DIMENSIONS
	弯式针型成型插头 数据型 屏蔽式 M12 Angled Male Overmolded Plug (Data type, Shielded) M12 - P 8X - GWD -1 PV - S 芯数: X:8X Y:6Y 8Y 长度(M): 11M 2.5:2.5M 材料: PV/PVC PU/PU TF: 铁氟龙 PE/PE 屏蔽: 空:非屏蔽	
	弯式孔型成型插头 数据型 屏蔽式 M12 Angled Female Overmolded Plug (Data type, Shielded) M12 - S 8X - GWD -1 PV - S 芯数: X:8X Y:6Y 8Y 长度(M): 11M 2.5:2.5M 材料: PV/PVC PU/PU TF: 铁氟龙 PE/PE 屏蔽: 空:非屏蔽	
	板前安装孔型插座 数据型 焊线式 螺牙M16x1.5 M12 Female Front Mount Socket (Data type, Solder, Screw M16*1.5) M12 - S 8X - GWB M16 芯数: X:8X Y:6Y 8Y	
	板前安装孔型插座 数据型 插板式 螺牙M16x1.5 M12 Female Front Mount Socket (Data type, PCB, Screw M16*1.5) M12 - S 8X - GWB M16 芯数: X:8X Y:6Y 8Y	
	板后安装孔型插座 数据型 焊线式 螺牙M16x1.5 M12 Female Back Mount Socket (Data type, Solder, Screw M16*1.5) M12 - S 8X - GWF M16 芯数: X:8X Y:6Y 8Y	
	板后安装孔型插座 数据型 焊线式 螺牙M16x1.5 屏蔽款 M12 Female Back Mount Socket (Data type, Solder, Screw M16*1.5, Shielded) M12 - S 8X - GWF M16 - S - PBG 芯数: X:8X Y:6Y 8Y 螺牙: M16-M16x1.5 P9/PC9 屏蔽: 空:非屏蔽	
	板后安装孔型插座 数据型 插板式 螺牙M16x1.5 M12 Female Back Mount Socket (Data type, PCB, Screw M16*1.5) M12 - S 8X - GPF M16 芯数: X:8X Y:6Y 8Y	

产品图 PRODUCT FIGURE	名称/类型号 NAME/TYPE NO.	尺寸图 DIMENSIONS
	直式孔型转RJ45转接器 180° 数据型 M12 Straight Female to RJ45 Adapter 180°(Data type) M12 - S 8X / RJ45 - A - F8	
	弯式孔型转RJ45转接器 90° 数据型 M12 Angled Female to RJ45 Adapter 90°(Data type) M12 - S 8X / RJ45 - D - F8	

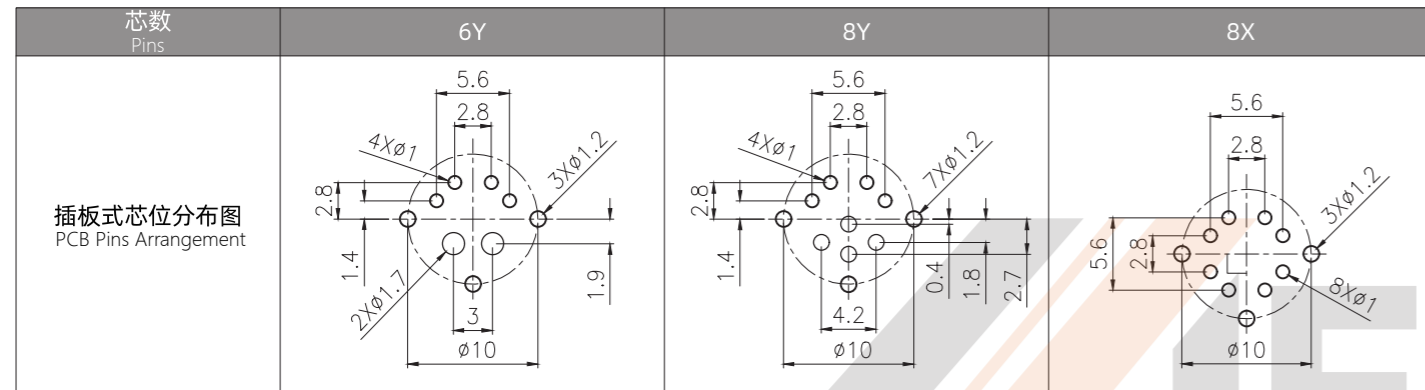
M12·贴片式插芯与外壳配件(X型) M12 SOCKET INSERT AND HOUSING ACCESSORIES(X-CODING)

	贴片式孔型插座 插板式 M12 SMD Type Female Socket (PCB) M12 - S 8X - PSS 芯数: X:8X Y:6Y 8Y	
	弯式孔型插座 插板式 M12 Right angle Female Socket (PCB) M12 - S 8X - PPL 芯数: X:8X Y:6Y 8Y	
	板前安装孔型外壳 螺牙M12x1 Front Mount Female Shell (Screw M12*1) M12-SGBM12-X	
	板后安装孔型外壳 螺牙M12x1 Back Mount Female Shell (Screw M12*1) M12-SGFM12-X	

M12(XY)·电气参数 M12(XY) ELECTRICAL PARAMETERS

接口类型 Interface Code type	芯数 Pins	针型 Male	额定电流 Rated current	额定电压 Rated voltage		导体规格 Conductor size		孔型 Female
				A/C	D/C	AWG	mm ²	
X型 X-Code	8X		0.5A	50V	60V	26~24	0.14~0.25	
Y型 Y-Code	6Y		0.5A/12A	30V	30V	2×26AWG+ 4×20AWG	0.14~0.5	
	8Y		0.5A/6A	30V	30V	4×26AWG+ 4×20AWG	0.14~0.5	

M12(XY)·插板式芯位图 M12(XY) PCB PINS ARRANGEMENT



M12(XY)·接线定义 M12(XY) WIRE DEFINITION

芯位 Pins	线芯颜色 Wire core color			
8X(8 Pins X-Code)				
1	WHOG			D1+
2	OG			D1-
3	WHGN			D2+
4	GN			D2-
5	WHBN			D4+
6	BN			D4-
7	WHBU			D3-
8	BU			D3+

芯位 Pins	线芯颜色 Wire core color			
6Y(6 Pins Y-Code)				
1	WHOG			D1+
2	OG			D1-
3	WHGN			D2+
4	GN			D2-
5	BU			D4+
6	WH			D4-

芯位 Pins	线芯颜色 Wire core color			
8Y(8 Pins Y-Code)				
1	WHOG			D1+
2	OG			D1-
3	WHGN			D2+
4	GN			D2-
5	BU			D4+
6	WH			D4-
7	BN			D3-
8	BK			D3+

*接线定义按常规标准，如按协议或者其他请联系我司业务。
Wiring definition according to conventional standards, if according to the agreement or other please contact our sales.

M12电源型——STKLM型

M12 POWER TYPE -- STKLM CODE

产品图 PRODUCT IMAGE	名称/型号号 NAME/TYPENo.	尺寸图 DIMENSIONS
	直式孔型塑胶组装式插头 电源型 螺钉式 M12 Straight Female Plastic Assembled Plug (Power type, Screw) M12 - S 2S - PLA P9 芯数: S:2S 2PS 3PS T:2T 2PT 3PT K:2K 2PK 3PK 4PK L:2L 2FL 3L 3FL 4L 4FL M:2M 2PM 3PM 4PM 5PM 出线: P9-PG9 P11-PG11	
	直式针型塑胶组装式插头 电源型 螺钉式 M12 Straight Male Plastic Assembled Plug (Power type, Screw) M12 - P 2S - PLA P9 芯数: S:2S 2PS 3PS T:2T 2PT 3PT K:2K 2PK 3PK 4PK L:2L 2FL 3L 3FL 4L 4FL M:2M 2PM 3PM 4PM 5PM 出线: P9-PG9 P11-PG11	
	弯式孔型塑胶组装式插头 电源型 螺钉式 PG9 M12 Angled Female Plastic Assembled Plug (Power type, Screw, PG9) M12 - S 2S - PWD P9 芯数: S:2S 2PS 3PS T:2T 2PT 3PT K:2K 2PK 3PK 4PK L:2L 2FL 3L 3FL 4L 4FL M:2M 2PM 3PM 4PM 5PM	
	弯式针型塑胶组装式插头 电源型 螺钉式 PG9 M12 Angled Male Plastic Assembled Plug (Power type, Screw, PG9) M12 - P 2S - PWD P9 芯数: S:2S 2PS 3PS T:2T 2PT 3PT K:2K 2PK 3PK 4PK L:2L 2FL 3L 3FL 4L 4FL M:2M 2PM 3PM 4PM 5PM	
非屏蔽款/Unshielded 屏蔽款/Shielded	直式孔型成型插头 电源型 M12 Straight Female Plastic Plug (Power type) M12 - S 2S - MWA - 1 PV - S 芯数: S:2S 2PS 3PS T:2T 2PT 3PT K:2K 2PK 3PK 4PK L:2L 2FL 3L 3FL 4L 4FL M:2M 2PM 3PM 4PM 5PM 线长(M): 11M 2.5-2.5M 材料: PV/PVC PU/PU TF-铁氟龙 PE-PE S:屏蔽 空:非屏蔽	
非屏蔽款/Unshielded 屏蔽款/Shielded	直式针型成型插头 电源型 M12 Straight Male Plastic Plug (Power type) M12 - P 2S - MWA - 1 PV - S 芯数: S:2S 2PS 3PS T:2T 2PT 3PT K:2K 2PK 3PK 4PK L:2L 2FL 3L 3FL 4L 4FL M:2M 2PM 3PM 4PM 5PM 线长(M): 11M 2.5-2.5M 材料: PV/PVC PU/PU TF-铁氟龙 PE-PE S:屏蔽 空:非屏蔽	

产品图 PRODUCT FIGURE	名称/类型号 NAME/TYPE NO.	尺寸图 DIMENSIONS
	弯式孔型成型插头 电源型 M12 Angled Female Overmolded Plug (Power type) M12 - S 2S - MWD - 1 PV - S 芯数: S:2S 2PS 3PS, T:2T 2PT 3PT, K:2K 2PK 3PK 4PK, L:2L 2FL 3L 3FL 4L 4FL, M:2M 2PM 3PM 4PM 5PM 插长(M): 11M, 2.5:2.5M 材料: PV/PVC, PU/PU S:屏蔽, 空:非屏蔽 PE:PE	
	弯式针型成型插头 电源型 M12 Angled Male Overmolded Plug (Power type) M12 - P 2S - MWD - 1 PV - S 芯数: S:2S 2PS 3PS, T:2T 2PT 3PT, K:2K 2PK 3PK 4PK, L:2L 2FL 3L 3FL 4L 4FL, M:2M 2PM 3PM 4PM 5PM 插长(M): 11M, 2.5:2.5M 材料: PV/PVC, PU/PU S:屏蔽, 空:非屏蔽 PE:PE	
	板前安装针型插座 电源型 焊线式 螺牙M16x1.5 M12 Male Front Mount Socket (Power type, Solder, Screw M16*1.5) M12 - P 2S - GWH M16 芯数: S:2S 2PS 3PS, T:2T 2PT 3PT, K:2K 2PK 3PK 4PK, L:2L 2FL 3L 3FL 4L 4FL, M:2M 2PM 3PM 4PM 5PM	
	板前安装孔型插座 电源型 焊线式 螺牙M16x1.5 M12 Female Front Mount Socket (Power type, Solder, Screw M16*1.5) M12 - S 2S - GWH M16 芯数: S:2S 2PS 3PS, T:2T 2PT 3PT, K:2K 2PK 3PK 4PK, L:2L 2FL 3L 3FL 4L 4FL, M:2M 2PM 3PM 4PM 5PM	
	板后安装针型插座 电源型 焊线式 螺牙M16x1.5 M12 Male Back Mount Socket (Power type, Solder, Screw M16*1.5) M12 - P 2S - GWF M16 芯数: S:2S 2PS 3PS, T:2T 2PT 3PT, K:2K 2PK 3PK 4PK, L:2L 2FL 3L 3FL 4L 4FL, M:2M 2PM 3PM 4PM 5PM	
	板后安装针型插座 电源型 插板式 螺牙M16x1.5 M12 Male Back Mount Socket (Power type, PCB, Screw M16*1.5) M12 - P 2S - GPF M16 芯数: S:2S 2PS 3PS, T:2T 2PT 3PT, K:2K 2PK 3PK 4PK, L:2L 2FL 3L 3FL 4L 4FL, M:2M 2PM 3PM 4PM 5PM	
	板后安装孔型插座 电源型 插板式 螺牙M16x1.5 M12 Female Back Mount Socket (Power type, PCB, Screw M16*1.5) M12 - S 2S - GPF M16 芯数: S:2S 2PS 3PS, T:2T 2PT 3PT, K:2K 2PK 3PK 4PK, L:2L 2FL 3L 3FL 4L 4FL, M:2M 2PM 3PM 4PM 5PM	

产品图 PRODUCT FIGURE	名称/类型号 NAME/TYPE NO.	尺寸图 DIMENSIONS
	板后安装孔型插座 电源型 焊线式 螺牙M16x1.5 M12 Female Back Mount Socket (Power type, Solder, Screw M16*1.5) M12 - S 2S - GWF M16 芯数: S:2S 2PS 3PS, T:2T 2PT 3PT, K:2K 2PK 3PK 4PK, L:2L 2FL 3L 3FL 4L 4FL, M:2M 2PM 3PM 4PM 5PM	
	方形法兰针型插座 电源型 焊线式 14x14 M12 Square Flange Male Socket (Power type, Solder, 14*14) M12 - P 2S - GWH 芯数: S:2S 2PS 3PS, T:2T 2PT 3PT, K:2K 2PK 3PK 4PK, L:2L 2FL 3L 3FL 4L 4FL, M:2M 2PM 3PM 4PM 5PM	
	方形法兰孔型插座 电源型 焊线式 14x14 M12 Square Flange Female Socket (Power type, Solder, 14*14) M12 - S 2S - GWH 芯数: S:2S 2PS 3PS, T:2T 2PT 3PT, K:2K 2PK 3PK 4PK, L:2L 2FL 3L 3FL 4L 4FL, M:2M 2PM 3PM 4PM 5PM	

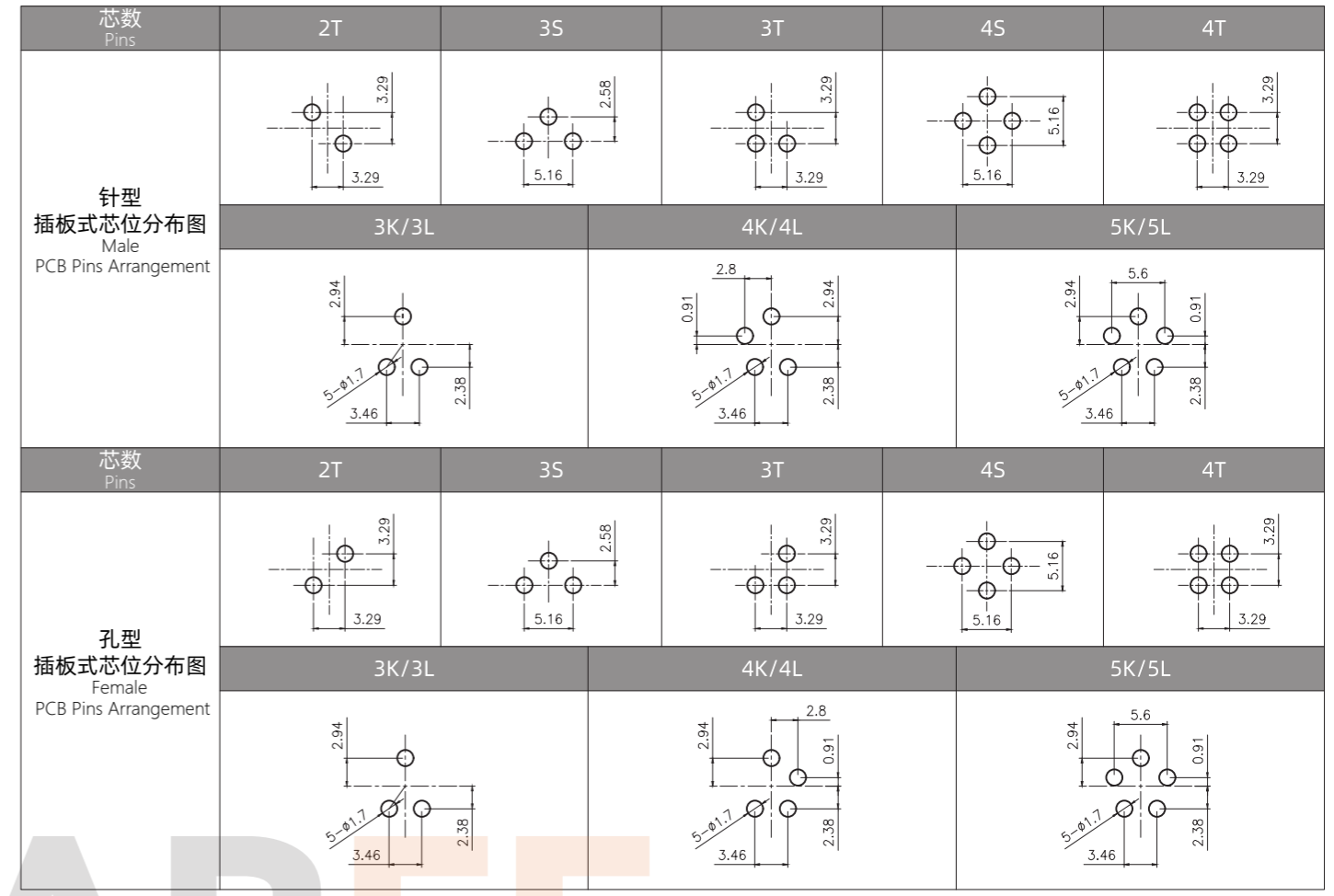
M12(ST)·电气参数 M12(ST) ELECTRICAL PARAMETERS

接口类型 Interface Code type	芯数 Pins	针型 Male	额定电流 Rated current	额定电压 Rated voltage		导体规格 Conductor size		孔型 Female
				A/C	D/C	AWG	mm ²	
S型 S-Code	2		12A	630V	630V	16	1.5	
	2+PE		12A	630V	630V	16	1.5	
	3+PE		12A	630V	630V	16	1.5	
T型 T-Code	2		12A	60V	60V	16	1.5	
	2+PE		12A	60V	60V	16	1.5	
	3+PE		12A	60V	60V	16	1.5	

M12(LKM) 电气参数 M12(LKM) ELECTRICAL PARAMETERS

接口类型 Interface Code type	芯数 Pins	针型 Male	额定电流 Rated current	额定电压 Rated voltage		导体规格 Conductor size		孔型 Female
				A/C	D/C	AWG	mm ²	
K型 K-Code	2		16A	800V	800V	16	2.5	
	2+PE		16A	800V	800V	16	2.5	
	3+PE		16A	800V	800V	16	2.5	
	4+PE		16A	800V	800V	16	2.5	
L型 L-Code	2		16A	63V	63V	14	2.5	
	2+FE		16A	63V	63V	14	2.5	
	3		16A	63V	63V	14	2.5	
	3+FE		16A	63V	63V	14	2.5	
	4		16A	63V	63V	14	2.5	
	4+FE		16A	63V	63V	14	2.5	
M型 M-Code	2		8A	630V	630V	16	1.5	
	2+PE		8A	630V	630V	16	1.5	
	3+PE		8A	630V	630V	16	1.5	
	4+PE		8A	630V	630V	16	1.5	
	5+PE		8A	630V	630V	16	1.5	

M12(STLK)·插板式芯位图 M12(STLK) PCB PINS ARRANGEMENT



M12(STLKM)·接线定义 M12(STLKM) WIRE DEFINITION

芯位 Pins	线芯颜色 Wire core color	芯位 Pins	线芯颜色 Wire core color	芯位 Pins	线芯颜色 Wire core color	芯位 Pins	线芯颜色 Wire core color
2+PE, S编码(S-Code)		4芯, T编码(4 Pins T-Code)		4+PE, K编码(K-Code)		5+PE, M编码(M-Code)	
1	BK1	1	BN	1	BK1	1	BK1
2	BK2	2	WH	2	BK2	2	BK2
PE	GNYE	3	BU	3	BK3	3	BK3
		4	BK	4	BK4	4	BK4
				PE	GNYE	5	BK5
3+PE, S编码(S-Code)		4/4+PE, L编码(L-Code)					
1	BK1	1	BN				
2	BK2	2	WH				
3	BK3	3	BU				
PE	GNYE	4	BK				
		FE*	GY				

*省略4芯(Omit 4 pins)

<https://www.china-guan.com/>

*接线定义按常规标准, 如按协议或者其他请联系我司业务。
Wiring definition according to conventional standards, if according to the agreement or other please contact our sales.

M14系列 M14 SERIE

大部分连接器360°全屏蔽

Most connectors are excellent for full shielding at 360 degrees

插头：注塑带电缆式（长度可任意定制）

Plug: Overmolded cable type (length can be customized at will)

插座：板前安装、板后安装焊线及PCB板式

Socket: Front Mount Solder Type, Back Mount Solder Type and PCB board type

防水等级：IP65、IP67

Waterproof grade: IP65、IP67

产品芯数：18芯

Pins Number: 18 pins

产品符合 IPC-A-620 标准

Products comply with standard



产品参数 PRODUCT PARAMETERS

壳体材料 Shell material	黄铜/黄铜镀镍 Brass/Brass nickel plated	污染等级 Pollution level	3
密封材料 Sealing material	环氧树脂/橡胶 Epoxy resin/Rubber	接触阻抗 Contact impedance	≤5mΩ
插针材料 Contact material	黄铜/磷铜镀金 Brass/Phosphorus copper gold-plated	插拔次数 Durability	≥500次(Cycles)
胶芯材料 Insulator material	PA66	适用温度 Applicable temperature	-25°C ~ +80°C
成型材料 Molding material	TPU/PVC	绝缘阻抗 Insulation impedance	≥100MΩ

产品图 PRODUCT FIGURE	名称/类型号 NAME/TYPENo.	尺寸图 DIMENSIONS
	直式孔型成型插头 M14 Straight Female Overmolded Plug M14 - S 18 - MWA - 1 PV 插长(M): 1:1M, 2.5:2.5M 线材: PV/PVC, PU/PU 环: 铁氟龙, PE/PE	
	直式针型成型插头 M14 Straight Male Overmolded Plug M14 - P 18 - MWA - 1 PV 插长(M): 1:1M, 2.5:2.5M 线材: PV/PVC, PU/PU 环: 铁氟龙, PE/PE	
	弯式孔型成型插头 M14 Angled Female Overmolded Plug M14 - S 18 - MWD - 1 PV 插长(M): 1:1M, 2.5:2.5M 线材: PV/PVC, PU/PU 环: 铁氟龙, PE/PE	
	弯式针型成型插头 M14 Angled Male Overmolded Plug M14 - P 18 - MWD - 1 PV 插长(M): 1:1M, 2.5:2.5M 线材: PV/PVC, PU/PU 环: 铁氟龙, PE/PE	
	板前安装针型插座 焊线式 螺牙M17x1.5 M14 Male Front Mount Socket (Solder, Screw M17*1.5) M14 - P 18 - GWB M17	
	板前安装孔型插座 焊线式 螺牙M17x1.5 M14 Female Front Mount Socket (Solder, Screw M17*1.5) M14 - S 18 - GWB M17	
	板后安装针型插座 焊线式 螺牙M17x1.5 M14 Male Back Mount Socket (Solder, Screw M17*1.5) M14 - P 18 - GWF M17	

产品图 PRODUCT FIGURE	名称/类型号 NAME/TYPE NO.	尺寸图 DIMENSIONS
	板后安装针型插座 插板式 M14 Male Back Mount Socket (PCB) M14 - P 18 - GPF M17	
	板后安装孔型插座 焊线式 螺牙M17x1.5 M14 Female Back Mount Socket (Solder, Screw M17x1.5) M14 - S 18 - GWF M17	
	板后安装孔型插座 插板式 M14 Female Back Mount Socket (PCB) M14 - S 18 - GPF M17	

M14·电气参数 M14 ELECTRICAL PARAMETERS

芯数 Pins	针型 Male	额定电流 Rated current	额定电压 Rated voltage		导体规格 Conductor size		孔型 Female
			A/C	D/C	AWG	mm ²	
5		12A	630V	630V	16	1.5	
8		5A	60V	60V	16	1.5	
10		5A	60V	60V	16	1.5	
12		2A/5A	30V	250V	16	1.5	
14		1A/5A	30V	250V	26/22	1.0/1.3	
16		1A/5A	30V	250V	26/22	1.0/1.3	
18		1A/5A	30V	250V	26/22	1.0/1.3	

M16系列 M16 SERIE

产品符合IEC 61076-2-106-2012 AISG标准

Products comply with IEC 61076-2-106-2012 AISG Standard

大部分连接器360°全屏蔽

Most connectors are excellent for full shielding at 360 degrees

插头：组装式，注塑带电缆式（长度可任意定制）

Plug: assembly, Overmolded cable type (length can be customized at will)

插座：板前安装、板后安装、焊线式及PCB板式

Socket: Front Mount Solder Type, Back Mount Solder Type and PCB board type

防水等级：IP65、IP67

Waterproof grade: IP65、IP67

产品芯数：2~24芯

Pins Number: 2-24 pins



产品参数 PRODUCT PARAMETERS

壳体材料 Shell material	黄铜/锌合金镀镍/黄铜镀镍 Brass/Zinc alloy nickel/Brass nickel plated	接触阻抗 Contact impedance	≤5mΩ
密封材料 Sealing material	环氧树脂/橡胶 Epoxy resin/Rubber	插拔次数 Durability	≥500次(Cycles)
插针材料 Contact material	黄铜/磷铜镀金 Brass/Phosphorus copper gold-plated	接线范围 Wiring range	PG7:4~6mm; PG9:6~8mm
胶芯材料 Insulator material	PA66	适用温度 Applicable temperature	-25°C ~ +80°C
成型材料 Molding material	TPU/PVC		

产品图 PRODUCT FIGURE	名称/类型号 NAME/TYPE NO.	尺寸图 DIMENSIONS
	直式孔型金属组装式插头 焊线式 M16 Straight Female Metal Assembled Plug (Solder) M16 - S 19 - GWA P7 芯数: 2 3 4 5 6 规格: 7 8 12 14 16 19 24 A:5A 7A 14A 出线: P7:PG7 P9:PG9	
	直式针型金属组装式插头 焊线式 M16 Straight Male Metal Assembled Plug (Solder) M16 - P 19 - GWA P7 芯数: 2 3 4 5 6 规格: 7 8 12 14 16 19 24 A:5A 7A 14A 出线: P7:PG7 P9:PG9	
	直式孔型金属组装式插头 压接式 M16 Straight Female Metal Assembled Plug (Crimp) M16 - S 19 - GCA P7 - PL 芯数: 2 3 4 5 6 规格: 7 8 12 14 16 19 24 A:5A 7A 14A 出线: P7:PG7 P9:PG9	
	直式针型金属组装式插头 压接式 M16 Straight Male Metal Assembled Plug (Crimp) M16 - P 19 - GCA P7 - PL 芯数: 2 3 4 5 6 规格: 7 8 12 14 16 19 24 A:5A 7A 14A 出线: P7:PG7 P9:PG9	
	直式孔型塑胶组装式插头 焊线式 尾管 M16 Male Front Mount Socket (Solder, Plastic tube) M16 - S 19 - PWA 07 - PT 芯数: 2 3 4 5 6 规格: 7 8 12 14 16 19 24 A:5A 7A 14A	
	直式针型塑胶组装式插头 焊线式 尾管 M16 Straight Male Assembled Plug (Solder, Plastic tube) M16 - P 19 - PWA 07 - PT 芯数: 2 3 4 5 6 规格: 7 8 12 14 16 19 24 A:5A 7A 14A	
非屏蔽款/Unshielded 屏蔽款/Shielded	直式孔型成型插头 M16 Straight Female Overmolded Plug M16 - S 19 - MWA - 1 PV - S 芯数: 2 3 4 5 6 规格: 7 8 12 14 16 19 24 A:5A 7A 14A 线长(M): 1M 材料: PV/PVC PU/PU TF:铁氟龙 PE/PE 5:屏蔽 空:非屏蔽	

产品图 PRODUCT FIGURE	名称/类型号 NAME/TYPE NO.	尺寸图 DIMENSIONS
非屏蔽款/Unshielded 屏蔽款/Shielded	直式针型成型插头 M16 Straight Male Overmolded Plug M16 - P 19 - MWA - 1 PV - S 芯数: 2 3 4 5 6 规格: 7 8 12 14 16 19 24 A:5A 7A 14A 线长(M): 1M 材料: PV/PVC PU/PU TF:铁氟龙 PE/PE 5:屏蔽 空:非屏蔽	
非屏蔽款/Unshielded 屏蔽款/Shielded	弯式孔型成型插头 M16 Angled Female Overmolded Plug M16 - S 19 - MWD - 1 PV - S 芯数: 2 3 4 5 6 规格: 7 8 12 14 16 19 24 A:5A 7A 14A 线长(M): 1M 材料: PV/PVC PU/PU TF:铁氟龙 PE/PE 5:屏蔽 空:非屏蔽	
非屏蔽款/Unshielded 屏蔽款/Shielded	弯式针型成型插头 M16 Angled Male Overmolded Plug M16 - P 19 - MWD - 1 PV - S 芯数: 2 3 4 5 6 规格: 7 8 12 14 16 19 24 A:5A 7A 14A 线长(M): 1M 材料: PV/PVC PU/PU TF:铁氟龙 PE/PE 5:屏蔽 空:非屏蔽	
	板前安装针型插座 焊线式 螺牙M18*0.75 M16 Male Front Mount Socket (Solder, Screw M18*0.75) M16 - P 19 - GWB M18 芯数: 2 3 4 5 6 规格: 7 8 12 14 16 19 24 A:5A 7A 14A	
	板前安装针型插座 插板式 螺牙M18*0.75 M16 Male Front Mount Socket (PCB, Screw M18*0.75) M16 - P 19 - GPB M18 芯数: 2 3 4 5 6 规格: 7 8 12 14 16 19 24 A:5A 7A 14A	
	板前安装孔型插座 焊线式 螺牙M18*0.75 M16 Male Front Mount Socket (Solder, Screw M18*0.75) M16 - S 19 - GWB M18 芯数: 2 3 4 5 6 规格: 7 8 12 14 16 19 24 A:5A 7A 14A	
	板前安装孔型插座 插板式 螺牙M18*0.75 M16 Female Front Mount Socket (PCB, Screw M18*0.75) M16 - S 19 - GPB M18 芯数: 2 3 4 5 6 规格: 7 8 12 14 16 19 24 A:5A 7A 14A	

产品图 PRODUCT FIGURE	名称/类型号 NAME/TYPE NO.	尺寸图 DIMENSIONS
	板后安装针型插座 焊线式 螺牙M18*0.75 M16 Male Back Mount Socket (Solder, Screw M18*0.75) M16 - P 19 - GWF M18 芯数: 2 3 4 5 6 规格: 7 8 12 14 16 19 24 A: 5A 7A 14A	 开孔尺寸 hole opening size ø18.1 17.1
	板后安装针型插座 插板式 螺牙M18*0.75 M16 Male Back Mount Socket (PCB, Screw M18*0.75) M16 - P 19 - GPF M18 芯数: 2 3 4 5 6 规格: 7 8 12 14 16 19 24 A: 5A 7A 14A	 开孔尺寸 hole opening size ø18.1 17.1
	板后安装孔型插座 焊线式 螺牙M18*0.75 M16 Female Back Mount Socket (Solder, Screw M18*0.75) M16 - S 19 - GWF M18 芯数: 2 3 4 5 6 规格: 7 8 12 14 16 19 24 A: 5A 7A 14A	 开孔尺寸 hole opening size ø18.1 17.1
	板后安装孔型插座 插板式 螺牙M18*0.75 M16 Female Back Mount Socket (PCB, Screw M18*0.75) M16 - S 19 - GPF M18 芯数: 2 3 4 5 6 规格: 7 8 12 14 16 19 24 A: 5A 7A 14A	 开孔尺寸 hole opening size ø18.1 17.1
	方形针型插座 焊线式 安装孔20x20 M16 Male Square Socket (Solder type, Mount Hole 20*20) M16 - P 19 - GWH 芯数: 2 3 4 5 6 规格: 7 8 12 14 16 19 24 A: 5A 7A 14A	 开孔尺寸 hole opening size ø18.1 17.1
	方形孔型插座 焊线式 安装孔20x20 M16 Female Square Socket (Solder type, Mount Hole 20*20) M16 - S 19 - GWH 芯数: 2 3 4 5 6 规格: 7 8 12 14 16 19 24 A: 5A 7A 14A	 开孔尺寸 hole opening size ø18.1 17.1

M16·防尘盖 M16 DUST COVER

M16 塑胶防尘盖 内牙 M16 Plastic Dust Cover (Inner screw)		M16 金属防尘盖 内牙 M16 Metal Dust Cover (Inner screw)	
环内直径 Ring inner diameter	订货号 No.	环内直径 Ring inner diameter	订货号 No.
φ 3mm	M16P-TV5P-3	φ 3mm	M16G-TV1P-3
φ 18mm	M16P-TV5P-18	φ 18mm	M16G-TV1P-18
M16 塑胶防尘盖 外牙 M16 Plastic Dust Cover (Outer screw)		M16 金属防尘盖 外牙 M16 Metal Dust Cover (Outer screw)	
环内直径 Ring inner diameter	订货号 No.	环内直径 Ring inner diameter	订货号 No.
φ 3mm	M16P-TV5S-3	φ 3mm	M16G-TV1S-3
φ 18mm	M16P-TV5S-18	φ 18mm	M16G-TV1S-18

M16·配件 M16 ACCESSORIES

M16 螺母扳手 M16 Nut wrench		
	半圆型/Semicircle: M16-LUZJ-002	
	圆型/Round style: M16-LUZJ-001	
		片式/Slice type: P08-WR-M16001

M16·插板式芯位图 M16 PCB PINS ARRANGEMENT

芯数 Pins	2P	3P	4P	5P	6P	7P	8P	12P
针型 Male								
芯数 Pins	2P	3P	4P	5P	6P	7P	8P	12P
孔型 Female								

芯数 Pins	针型 Male		额定电流 Rated current	额定电压 Rated voltage		导体规格 Conductor size		孔型 Female	
	常规编码 General coding	A型 A-code		A/C	D/C	AWG	mm ²	常规编码 General coding	A型 A-code
2			7A	250V	32V	20	0.75		
3			7A	250V	32V	20	0.75		
4			6A	250V	32V	20	0.75		
5			6A	250V	32V	20	0.75		
6			5A	250V	32V	20	0.75		
7			5A	125V	32V	20	0.75		
8			5A	60V	32V	20	0.75		
12			3A	60V	32V	24	0.25		
14			3A	60V	32V	24	0.25		
16			3A	60V	32V	24	0.25		
19			3A	60V	32V	24	0.25		
24			1A	60V	32V	26	0.14		

M23系列 M23 SERIE

产品芯数(信号): 6、7、9、12、17、19芯 (电源): 6、8芯
Pins Number: Signal-6 7 9 12 17 19 pins; Power-6 8 pins

信号及电源型二种类型
Two types: Signal and Power

插头: 组装式冷压式结构
Plug: assembly, cold-pressure construction

插座: 直式、弯式冷、冷压式结构
Socket: Straight/Angled cold-pressure construction

全部连接器360°全屏蔽
All connectors are excellent for full shielding at 360 degrees

防水等级: IP67
Waterproof grade: IP67



产品参数 PRODUCT PARAMETERS

壳体材料 Shell material	黄铜镀镍 Brass nickel plated	接触阻抗 Contact impedance	≤5mΩ
密封材料 Sealing material	环氧树脂/橡胶 Epoxy resin/Rubber	插拔次数 Durability	≥500次(Cycles)
插针材料 Contact material	黄铜/磷铜镀金 Brass/Phosphorus copper gold-plated	接线范围 Wiring range	6~10mm
胶芯材料 Insulator material	PBT/PA66	适用温度 Applicable temperature	-40°C ~ +125°C
成型材料 Molding material	TPU/PVC		

产品图 PRODUCT FIGURE	名称/类型号 NAME/TYPE NO.	尺寸图 DIMENSIONS
	M623信号直式孔型金属组装式插头 压接式 M623 Signal Straight Female Metal Assembled Plug (Crimp) M623 - S 6P - GCA 14.5 芯数: P:6P 7P 9P 9PP 12P 17P E:6E 7E 9E 9PE 12E 17E	
	M623信号直式针型金属组装式插头 压接式 M623 Signal Straight Male Metal Assembled Plug (Crimp) M623 - P 6P - GCA 14.5 芯数: P:6P 7P 9P 9PP 12P 17P E:6E 7E 9E 9PE 12E 17E	
	M623信号直式针型对接组装式插头 压接式 M623 Signal Straight Mating Male Metal Assembled Plug (Crimp) M623 - P 6P - GCK 14.5 芯数: P:6P 7P 9P 9PP 12P 17P E:6E 7E 9E 9PE 12E 17E	
	M623信号直式孔型对接组装式插头 压接式 M623 Signal Straight Mating Female Metal Assembled Plug (Crimp) M623 - S 6P - GCK 14.5 芯数: P:6P 7P 9P 9PP 12P 17P E:6E 7E 9E 9PE 12E 17E	
	M623信号直式孔型插座 压接式 安装孔19.8x19.8 M623 Signal Straight Female Socket (Crimp, Mount hole 19.8*19.8) M623 - S 6P - GCH 芯数: P:6P 7P 9P 9PP 12P 17P E:6E 7E 9E 9PE 12E 17E	
	M623信号直式针型插座 压接式 安装孔19.8x19.8 M623 Signal Straight Male Socket (Crimp, Mount hole 19.8*19.8) M623 - P 6P - GCH 芯数: P:6P 7P 9P 9PP 12P 17P E:6E 7E 9E 9PE 12E 17E	
	M623信号弯式孔型组装式插座 压接式 安装孔19.8x19.8 Angled M623 Signal Female Square Assembled Socket (Crimp, Mount hole 19.8*19.8) M623 - S 6P - GCL 芯数: P:6P 7P 9P 9PP 12P 17P E:6E 7E 9E 9PE 12E 17E	

产品图 PRODUCT FIGURE	名称/类型号 NAME/TYPE NO.	尺寸图 DIMENSIONS
	M623信号弯式针型组装式插座 压接式 安装孔19.8x19.8 Angled M623 Signal Male Square Assembled Socket (Crimp, Mount hole 19.8*19.8) M623 - P 6P - GCL 芯数: P:6P 7P 9P 9PP 12P 17P E:6E 7E 9E 9PE 12E 17E	
	M923电源直式孔型金属组装式插头 压接式 M923 Power Straight Female Metal Assembled Plug (Crimp) M923 - S 6 - GCA 14.5 芯数: 6 B	
	M923电源弯式针型组装式插座 压接式 安装孔19.8x19.8 Angled M923 Power Male Square Assembled Socket (Crimp, Mount hole 19.8*19.8) M923 - S 6 - GCL 芯数: 6 B	
	M23金属防尘盖 内螺牙 M23 Metal dust cover (inner screw) M23-TV1P-3	

M923·电源型电气参数 M923 POWER SUPPLY TYPE ELECTRICAL PARAMETERS

芯数 Pins	针型 Male	额定电流 Rated current	额定电压 Rated voltage		导体规格 Conductor size		孔型 Female
			A/C	D/C	AWG	mm ²	
6		30A	630V	630V	14	2.5	
8		9A/20A	250V/630V	250V/630V	18/14	1/2.5	

芯数 Pins	P型 P-code	额定电流 Rated current	额定电压 Rated voltage		导体规格 Conductor size		E型 E-code
			A/C	D/C	AWG	mm ²	
6		20A	300V	300V	14	2.5	
7		20A	300V	300V	14	2.5	
9		8A	150V	150V	16	1.5	
9P(8+1)		8A/20A	300V	150V	16/14	1.5/2.5	
12		8A	150V	150V	18	1	
17		8A	150V	150V	18	1	

M623 铆压插针 Riveting pressure pin

接触直径: $\phi 1$
Contact diameter: $\phi 1$

材料: 铜镀金
Material: Brass with gold plating

M623 铆压式公针 Riveted Male Pin

线规 (Wire size)	AWG	物料编码 (Material code)
0.08-0.5mm ²	AWG 28-22	A120101-0210
0.5-1.0mm ²	AWG 20-17	A120101-0127
1.0-1.5mm ²	AWG 17-16	A120101-0126

M623 铆压式母针 Riveted Female Pin

线规 (Wire size)	AWG	物料编码 (Material code)
0.08-0.5mm ²	AWG 28-22	A120102-0222
0.5-1.0mm ²	AWG 20-17	A120102-0149
1.0-1.5mm ²	AWG 17-16	A120102-0148

M623 铆压插针 Riveting pressure pin

接触直径: $\phi 2$
Contact diameter: $\phi 2$

材料: 铜镀金
Material: Brass with gold plating

M623 铆压式公针 Riveted Male Pin

线规 (Wire size)	AWG	物料编码 (Material code)
0.75-2.5mm ²	AWG 18-13	A120101-0125

M623 铆压式母针 Riveted Female Pin

线规 (Wire size)	AWG	物料编码 (Material code)
0.75-2.5mm ²	AWG 18-13	A120102-0147

M923 铆压插针 Riveting pressure pin

接触直径: $\phi 1$
Contact diameter: $\phi 1$

材料: 铜镀金
Material: Brass with gold plating

M923 铆压式公针 Riveted Male Pin

线规 (Wire size)	AWG	物料编码 (Material code)
0.25-1.0mm ²	AWG 23-17	A120101-0235

M923 铆压式母针 Riveted Female Pin

线规 (Wire size)	AWG	物料编码 (Material code)
0.25-1.0mm ²	AWG 23-17	A120102-0238

M923 铆压插针 Riveting pressure pin

接触直径: $\phi 2$
Contact diameter: $\phi 2$

材料: 铜镀金
Material: Brass with gold plating

M923 铆压式公针 Riveted Male Pin

线规 (Wire size)	AWG	物料编码 (Material code)
1.0-2.5mm ²	AWG 18-13	A120101-0236
2.5-4.0mm ²	AWG 13-12	-

M923 铆压式母针 Riveted Female Pin

线规 (Wire size)	AWG	物料编码 (Material code)
1.0-2.5mm ²	AWG 18-13	A120102-0239
2.5-4.0mm ²	AWG 13-12	-

芯位 Pins	线芯颜色 Wire core color	导体规格 Conductor size	芯位 Pins	线芯颜色 Wire core color	导体规格 Conductor size	芯位 Pins	线芯颜色 Wire core color	导体规格 Conductor size
6芯 (Pins)			12芯 (Pins)			17芯 (Pins)		
1	BK U	1.5mm ²	1	PK	0.25mm ²	1	YE	0.14mm ²
2	BN V	1.5mm ²	2	RD	0.25mm ²	2	GN	0.14mm ²
3	GNYE	1.5mm ²	3	BK	0.25mm ²	3	RD	0.14mm ²
4	BK	1.5mm ²	4	BU	0.25mm ²	4	NC	
5	WH	1.5mm ²	5	BN	0.25mm ²	5	BU	0.14mm ²
6	BN K	1.5mm ²	6	GN	0.25mm ²	6	NC	
			7	VT	0.25mm ²	7	BNBU	0.5mm ²
			8	GY	0.25mm ²	8	GNBK	0.22mm ²
			9	外部护套	(Outer sheath)	9	GNRD	0.22mm ²
			10	WH	0.5mm ²	10	BNRD	0.5mm ²
			11	NC		11	BK	0.14mm ²
			12	BN	0.5mm ²	12	BN	0.14mm ²
						13	OG	0.14mm ²
						14	WHBK	0.14mm ²
						15	BNGY	0.22mm ²
						16	BNYE	0.22mm ²
						17	内部护套	(Inner sheath)

*接线定义按常规标准, 如按协议或者其他请联系我司业务。
Wiring definition according to conventional standards, if according to the agreement or other please contact our sales.

7/8系列 7/8 SERIE

产品符合IEC 61076-2-101 工业4.0协议, NEMA2000标准

Products comply with IEC 61076-2-101 Industry 4.0 Agreement NEMA2000 standard

插头: 组装式, 注塑带电缆式 (长度可任意定制)

Plug: assembly, Overmolded cable type (length can be customized at will)

插座: 板前安装、板后安装焊线及PCB板式

Socket: Front Mount Solder Type, Back Mount Solder Type and PCB board type

主要用于电源连接器

Mainly used in power connectors

产品芯数: 3~6芯

Pins Number: 3-6 pins

防水等级: IP65、IP67


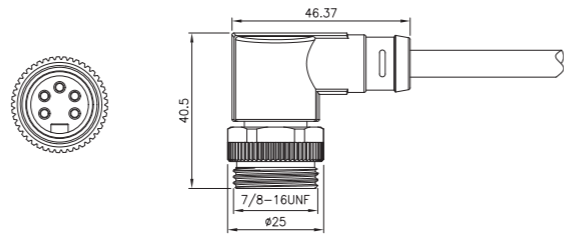

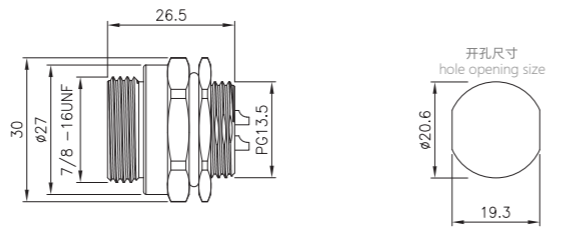

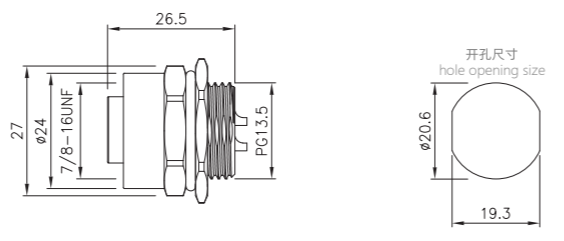

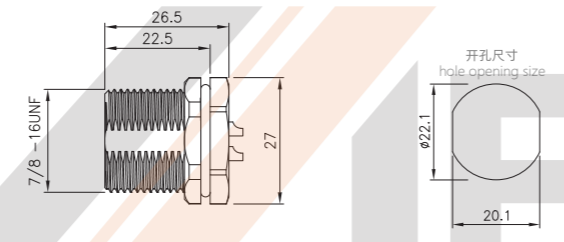

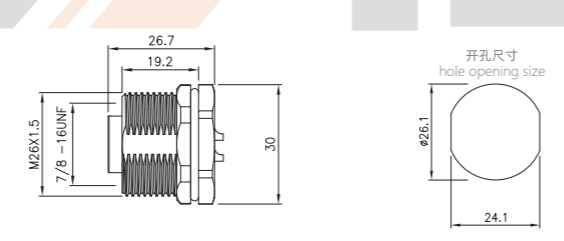

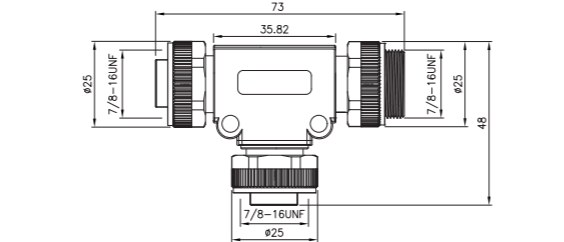

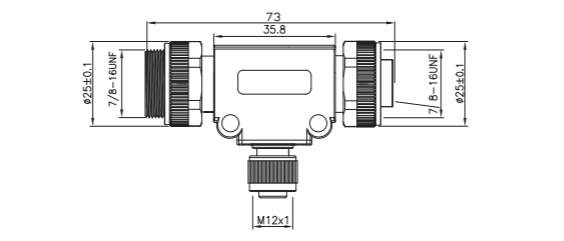
Waterproof grade: Ip65、IP67




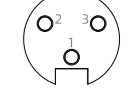

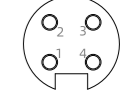

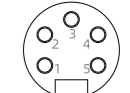


产品参数 PRODUCT PARAMETERS

壳体材料 Shell material	黄铜镀镍/锌合金度镍/PA+GF Brass nickel-plated/Zinc alloy nickel-plated/PA-GF	接触阻抗 Contact impedance	≤5mΩ
密封材料 Sealing material	环氧树脂/橡胶 Epoxy resin/Rubber	插拔次数 Durability	≥500次(Cycles)
插针材料 Contact material	黄铜/磷铜镀金 Brass/Phosphorus copper gold-plated	绝缘阻抗 Insulation impedance	≥100mΩ
胶芯材料 Insulator material	PA+GF/TPU	适用温度 Applicable temperature	-25°C ~ +80°C
成型材料 Molding material	TPU/PVC		




产品图 PRODUCT FIGURE	名称/类型号 NAME/TYPENo.	尺寸图 DIMENSIONS
	7/8直式孔型塑胶组装式插头 螺钉式 7/8 Straight Female Plastic Assembled Plug (Screw) 7/8 - S 6 - PLA P13.5 芯数: 3 4 5 6 出线: P13.5; PG13.5 P9: PG9(搭配)	
	7/8直式针型塑胶组装式插头 螺钉式 7/8 Straight Male Plastic Assembled Plug (Screw) 7/8 - P 6 - PLA P13.5 芯数: 3 4 5 6 出线: P13.5; PG13.5 P9: PG9(搭配)	
	7/8弯式孔型塑胶组装式插头 螺钉式 7/8 Angled Female Plastic Assembled Plug (Screw) 7/8 - S 6 - PLD P13.5 芯数: 3 4 5 6 出线: P13.5; PG13.5 P9: PG9(搭配)	
	7/8弯式针型塑胶组装式插头 螺钉式 7/8 Angled Male Plastic Assembled Plug (Screw) 7/8 - P 6 - PLD P13.5 芯数: 3 4 5 6 出线: P13.5; PG13.5 P9: PG9(搭配)	
	7/8直式孔型成型插头 7/8 Straight Female Overmolded Plug 7/8 - S 6 - MWA - 1 PV - S 芯数: 3 4 5 6 插长(M): 11M, 2.5; 2.5M 材料: PV/PVC, PU/PU, TF-铁氟龙, PE/PE S:屏蔽, 空:非屏蔽	
	7/8直式针型成型插头 7/8 Straight Male Overmolded Plug 7/8 - P 6 - MWA - 1 PV - S 芯数: 3 4 5 6 插长(M): 11M, 2.5; 2.5M 材料: PV/PVC, PU/PU, TF-铁氟龙, PE/PE S:屏蔽, 空:非屏蔽	
	7/8弯式孔型成型插头 7/8 Angled Female Overmolded Plug 7/8 - S 6 - MWD - 1 PV - S 芯数: 3 4 5 6 插长(M): 11M, 2.5; 2.5M 材料: PV/PVC, PU/PU, TF-铁氟龙, PE/PE S:屏蔽, 空:非屏蔽	





产品图 PRODUCT FIGURE	名称/型号 NAME/TYP NO.	尺寸图 DIMENSIONS
	7/8弯式针型成型插头 7/8 Angled Male Overmolded Plug 7/8 - P 6 - MWD - 1 PV - S 芯数: 3 4 5 6 长度(M): 1.8M 材料: PV/PVC, PU/PU, PE/PE 屏蔽: 空/非屏蔽	
	7/8板前安装针型插座 焊线式 螺牙PG13.5 7/8 Male Front Mount Socket (Solder, Screw PG13.5) 7/8 - P 6 - GWB P13.5 芯数: 3 4 5 6	
	7/8板前安装孔型插座 焊线式 螺牙PG13.5 7/8 Female Front Mount Socket (Solder, Screw PG13.5) 7/8 - S 6 - GWB P13.5 芯数: 3 4 5 6	
	7/8板后安装针型插座 焊线式 螺牙7/8-16UHF 7/8 Male Back Mount Socket (Solder, Screw 7/8-16UHF) 7/8 - P 6 - GWF 7/8 芯数: 3 4 5 6	
	7/8板后安装孔型插座 焊线式 螺牙M26x1.5 7/8 Female Back Mount Socket (Solder, Screw M26x1.5) 7/8 - S 6 - GWF M26 芯数: 3 4 5 6	
	7/8 T型插头 7/8-7/8 PSS型 7/8 T-Type Adapter (7/8-7/8, PSS) 7/8 - T - P 6 / S 6 x2 芯数: 3 4 5 6	
	7/8 T型插头 7/8-M12 PSS型 7/8 T-Type Adapter (7/8-M12, PSS) 7/8 - T - P 5 / S 5 / M12 - S 5 A 芯数: 3 4 5	






7/8·电气参数 7/8 ELECTRICAL PARAMETERS

芯数 Pins	针型 Male	额定电流 Rated current	额定电压 Rated voltage		导体规格 Conductor size		孔型 Female
			A/C	D/C	AWG	mm ²	
3		13A	300V	300V	18	1	
4		9A	300V	300V	18	1	
5		9A	300V	300V	20	0.5	
6		9A	300V	300V	20	0.5	

7/8·接线定义 7/8 WIRE DEFINITION

芯位 Pins	线芯颜色 Wire core color	
	3芯(Pins)	
1	BK	
2	BN	
3	BU	

芯位 Pins	线芯颜色 Wire core color	
	4芯(Pins)	
1	BK	
2	BU	
3	BN	
4	WH	

芯位 Pins	线芯颜色 Wire core color	
	5芯(Pins)	
1	BK	
2	BU	
3	GNYE	
4	BN	
5	WH	

*接线定义按常规标准, 如按协议或者其他请联系我司业务。
Wiring definition according to conventional standards, if according to the agreement or other please contact our sales.