

R/A M8 Male Connector, Field Wireable

Features:

- Threaded Coupling
- IP67 (Rating)
- Pollution Degree: 3
- Products Comply With IEC 61076-2-101 Industry 4.0 Agreement, NEMA2000 Standard



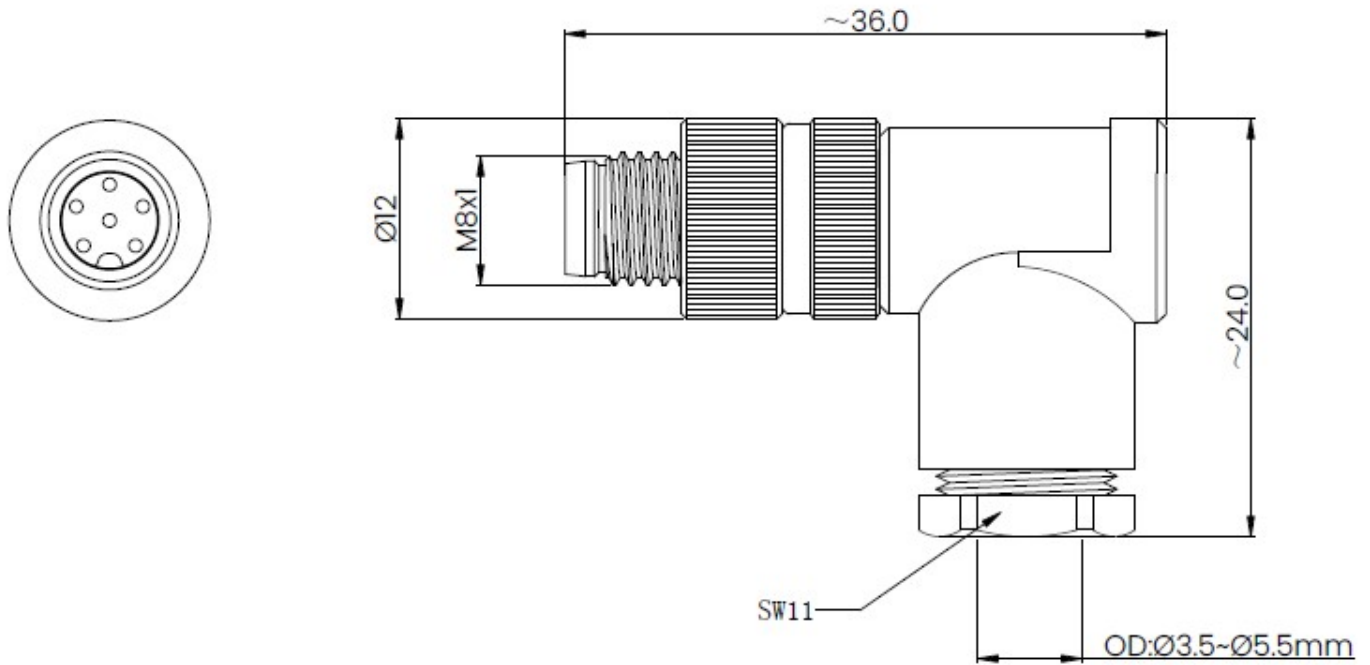
Electrical Specifications	
Contacts	6
Rated Current (A)	1.5
Rated Voltage (AC,V)	60
Rated Pulse Voltage (AC,V)	800
Insulation Resistance (MΩ)	≥100
Contact Resistance (mΩ)	≤3

Mechanical Specifications	
Mating Cycles	500 Min
Coupling Mechanism	Threaded
Interface Specification	IEC 61076-2-101

Environmental Specifications	
Temperature Range	-20°C to +85°C

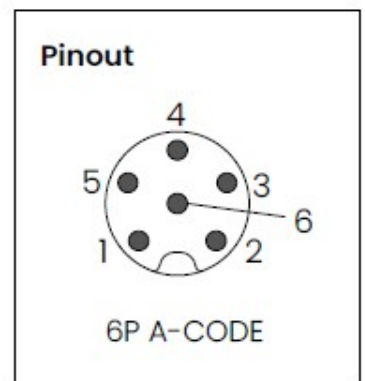
Material Specifications	
Screw	Brass, Nickel Plating
Shell	PA66 UL94-V0, Black
Insulator	PA66 UL94-V0, Black
Contacts	Copper Alloy, Gold Plating
Sealing Ring	NBR, Black
Nut	PA66 UL94-V0, Black

Drawing



UNLESS OTHERWISE SPECIFIED
 TOLERANCES FOR MILLIMETERS
 ARE:

- 0.5 - 8mm ± 0.20mm
- 8 - 30mm ± 0.25mm
- 30 -120mm ± 0.30mm



Disclaimer

The information in this specification is subject to change without notice. Please confirm the latest version before use. Technical parameters are for reference only, and sufficient testing and verification should be conducted in actual applications.